

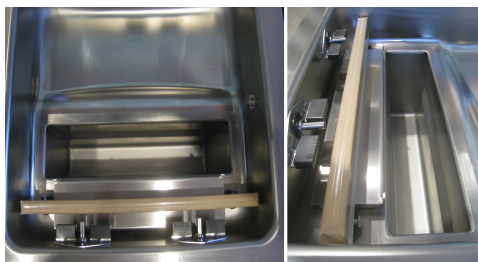


FEATURES

- Oil lubricated rotary vane vacuum pump, nominal speed 883 cf/h (25 m³/h);
- Vacuum level control through high precision sensor;
- Maximum vacuum 99,8% (2 millibar);
- 16,3" sealing bar, easily removable for cleaning with standard double sealing;
- Chamber in hydroformed stainless steel with constant thickness, with integrated vertical chamber for liquid packaging, easy to clean and sanitize;
- Standard inert gas injection with 2 injection nozzles;
- 2+2 Date stamps to stamp the date and lot on the bag;
- Waterproof stainless steel digital control panel, with control board and vacuum sensor protection cover;
- 20 editable user programs, with assignable names from keyboard; 5 settable display languages;
- 8 preset cycles for specific types of food to be preserved or processed ("chef" cycles), 5 deaeration cycles for solid and liquid food processing or food preservation ("chef" cycles);
- 2 generic preset cycles for preservation or sous vide cooking;
- Specific cycle for vacuum containers;
- Pump oil dehumidification cycle "H2Out";
- Menu accessible to technical assistance for parameter setting and adjustment, with resettable oil change alarm;
- High-thickness blued PMMA (Plexiglass) lid with polished and rounded edges and chromed aluminum alloy die-cast hinges, over-opening from 60 ° to 90 ° for easy cleaning;
- Chromed aluminum die-cast hinges;
- Removable aluminum silicone holder bar, which allows easy cleaning and sanitizing of the vacuum chamber (patented);
- Front opening of the machine body to facilitate access to maintenance;
- High welding pressure (over 200kg with 99% vacuum) operating on the sealing bar; with thermal welding protection system;
- Standard "Easy" accessory for external vacuum in embossed bags;
- 10 PE-filling plates for product adjustment inside the vertical and the horizontal chamber and cycle speed up;

DESCRIPTION

Made of AISI304 stainless steel, the Cuisson line models features a high quality level and extreme care of every detail, which reflects into robustness, reliability and safety. They are equipped with advanced functional and technological features such as the vertical chamber, deaeration cycles, preset cycles based on the type of food to be vacuum packed, inert gas injection, double sealing. Removable silicon holder and front opening of the casing are some of the construction features designed to facilitate cleaning, maintenance and reduce operating costs.



SEALING BAR 16,3 inch
VACUUM PUMP 883 cf/h
SENSOR CONTROL

ACCESSORIES (NOT INCLUDED)

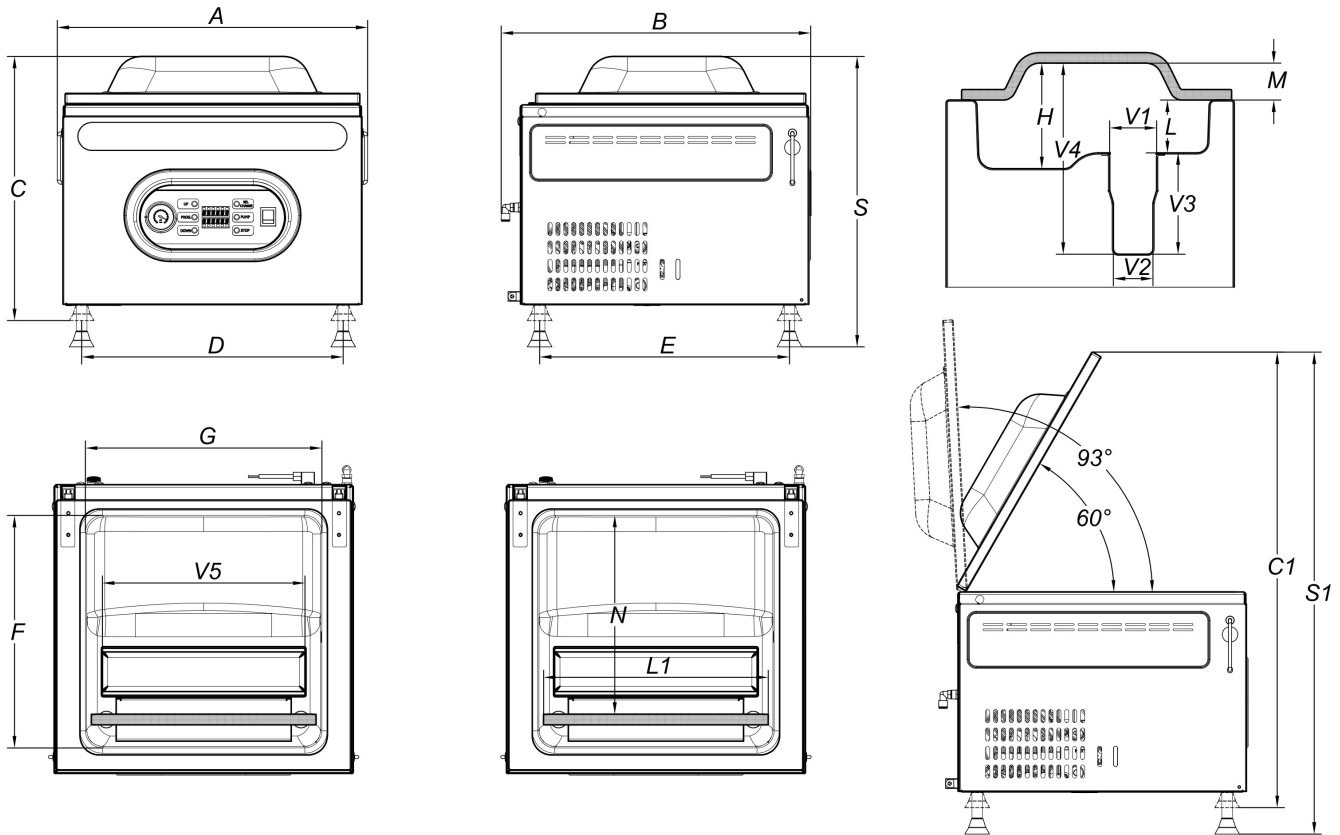
- Bags for storage, cooking and "cook & chill"; embossed bags;
- Stainless steel cart with castors and shelf

Intertek Intertek
According to:
UL197 / NSF Hygienic standards

PROJECT	DATE	APPROVED
ITEM	QTY	

VACUUM PACKAGING MACHINES CUISSON SV41N

UPDATED:
27/07/2021



SPECIFICATIONS

Length of seal L1	inch	16,3
Nominal pump speed	cf/h	883
Final pressure	mbar	0,5
Horizontal chamber size (FxGxH)	inch	17,3x17,6x7,9
Vertical chamber size (V1/V2xV5xV3)	inch	3,2x15,1x7,6
Useful chamber space (N)	inch	14,8
Horizontal chamber depth (L)	inch	3,9
Vertical chamber volume	Usgal	1,58
Horizontal chamber volume	Usgal	7,39
Power	W	1600
Electrical voltage/Frequency/Phases	V/Hz	110V / 60Hz / 1Ph+N+PE
Power cord and plug		98,4 inch / Nema 5
Current	A	14,54
Housing materials		Stainless steel (AISI304)
Vacuum chamber material		Hydroformed stainless steel (AISI304)
Lid material		PMMA (plexiglas)
Overall dimensions (AxBxC)	inch	23,2x23,1x21,7
Overall dimensions (AxBxC)	inch	23,2x23,1x19,7
Maximum height with open lid (S1)	inch	35,9
Distance between supports (DxE)	inch	19,5x18,7
Weight (with filling plates)	lbs	189,6
Noise level	dB(A)	57
Environmental operating temperature (min-max)	°F	53,6-104