



841-S



PIPER'S SUPERIOR

FOUNDATION

Featured on our toughest racks: Two 12 gauge aluminized steel reinforcing channels support our .125" thick aluminum bottom panel. The edges are formed and rolled to create a built-in bumper and plate casters make this the strongest foundation in the industry.

Piper Closed-Side Racks give you all the features of our popular Channel Racks with the advantage of closed sides for strength and added rigidity. The welded ledges prevent trays from tipping, and are spaced only 1-1/2 inches apart. The racks offer the ultimate in capacity and versatility. With solid tongue and groove side panel construction the ledges stay level and rigid even after being abused, unlike competitors' corrugated side panels that may become misaligned making the trays bind.

STANDARD FEATURES

- ◆ Holds 18" x 26" sheet pans
- ◆ 1.5" glide spacing
- ◆ Solid Bottom

TIE BARS AND CONTINUOUS WELD

- ◆ 1/2" extruded aluminum tie bar keeps rack square
- ◆ Adds rigidity and stability to rack
- ◆ Two tie bars per unit
- ◆ Weld along entire edge of glides
- ◆ No gaps to promote bacterial growth

JOB _____ ITEM # _____ QTY # _____

MODEL NUMBER

- 822 822-S
- 841 841-S

DIMENSIONS

- ◆ 822 H40-3/4" x W21" x D27-3/8"
- ◆ R836 H64-1/2" x W21" x D27-3/8"
- ◆ 841 H69-1/4" x W21" x D27-3/8"
- ◆ 822-S H40-3/4" x W27-3/8" x D21"
- ◆ 841-S H69-1/4" x W27-3/8" x D21"

SOLID BOTTOM

- ◆ Rolled edge acts as bumper
- ◆ 12 gauge reinforcing caster channel eliminates twisting
- ◆ Fully welded corners
- ◆ Greatly enhances rack strength
- ◆ .090" thick aluminum

SUPERIOR CORNER SUPPORTS

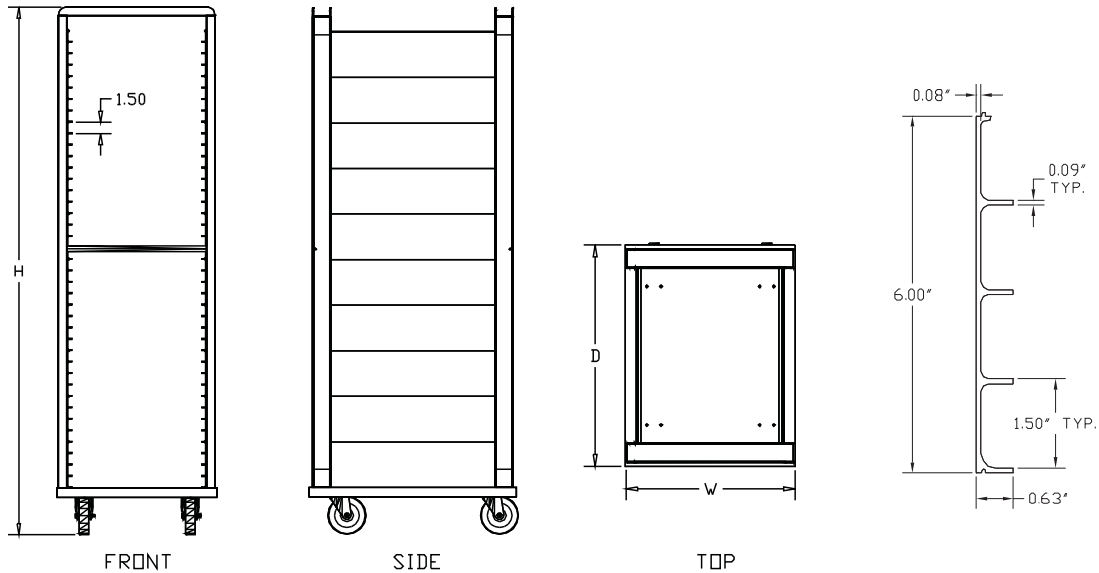
- ◆ .190" thick gussets provide superior strength
- ◆ Extruded 3-sided channel support
- ◆ All sides fully welded

HEAVY-DUTY CASTERS

- ◆ Plate casters for added rigidity and stability
- ◆ 5" x 1-1/4" sealed wheels
- ◆ Delrin bearing, each with 350 lbs. capacity
- ◆ Maximum resistance to chemicals, acids, bases, alcohol, water and steam
- ◆ Maximum low temperature flexibility for superior performance, even in freezing temperatures

WARRANTY

- ◆ One year parts and labor. Warranty is detailed on inside front cover of the price list.



Model#	Description	Height Inches	Width Inches	Depth Inches	Channel Ht. Inches	Pan Capacity*	Ship Wt. (lbs)
822	End load	40-3/4"	21"	27-3/8"	1.5"	22	70
R836	End load	64-1/4"	21"	27-3/8"	1.5"	41	79
841	End load	69-1/4"	21"	27-3/8"	1.5"	41	88
822-S	Side load	40-3/4"	27-3/8"	21"	1.5"	22	70
841-S	Side load	69-1/4"	27-3/8"	21"	1.5"	41	88

R is for roll-in height
 Custom height sizes and glide spacing available.
 Height includes casters.
 Approximate box dimensions: 33-1/2" x 22" x 70"
 Typical freight class: 250

RACKS OPTIONS / ACCESSORIES PART NUMBER

(Part Number add after model number)

Option	Description
<input type="checkbox"/> PS	Pan Stop
<input type="checkbox"/> EMB	Personalized Embossment (12 letters per line)
<input type="checkbox"/> FL	Floor Lock
<input type="checkbox"/> PH	Push Handle
<input type="checkbox"/> Y5	5" Polyurethane Casters (set of 4)

Option	Description
<input type="checkbox"/> B	Non-Marking Rubber Bumpers - Corner (set of 4)
<input type="checkbox"/> PB	Non-Marking Rubber Bumpers - Full Perimeter
<input type="checkbox"/> WB	Wheel Brakes (set of 2)
<input type="checkbox"/> 5x2	Heavy-duty Casters (set of 4)
<input type="checkbox"/> V	Vertical Bumpers