



Model: **TMU1**

Project Name: _____
 Item Number: _____
 Quantity: _____
 Length: _____



INFINITY™ Support:

1/2" Clear Tempered Glass
 Contact factory for additional options

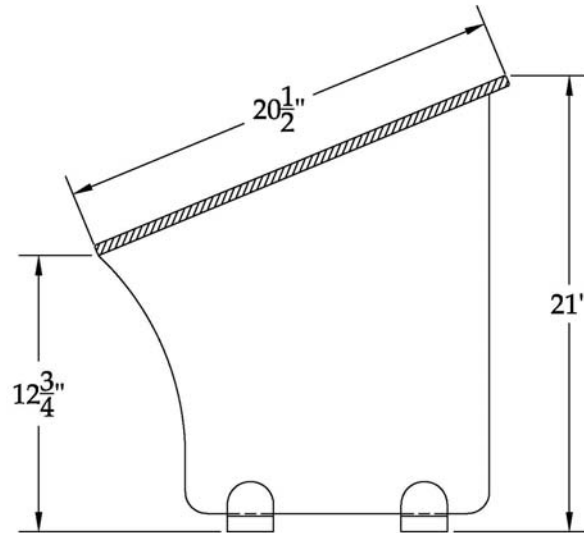
Glass:

3/8" Glass - 72" max. Span
 1/2" Glass - 96" max. Span
 Contact factory for spans exceeding max.

Mounting Options:

Some mounting options may not be available on some cantilevered/counter substrate combinations. Refer to mounting cut-sheet or contact factory for additional information.

- 640-Z Above Counter Surface Mount (Standard)
- 640-FB Above Counter Surface Mount with Stainless Flat Bar



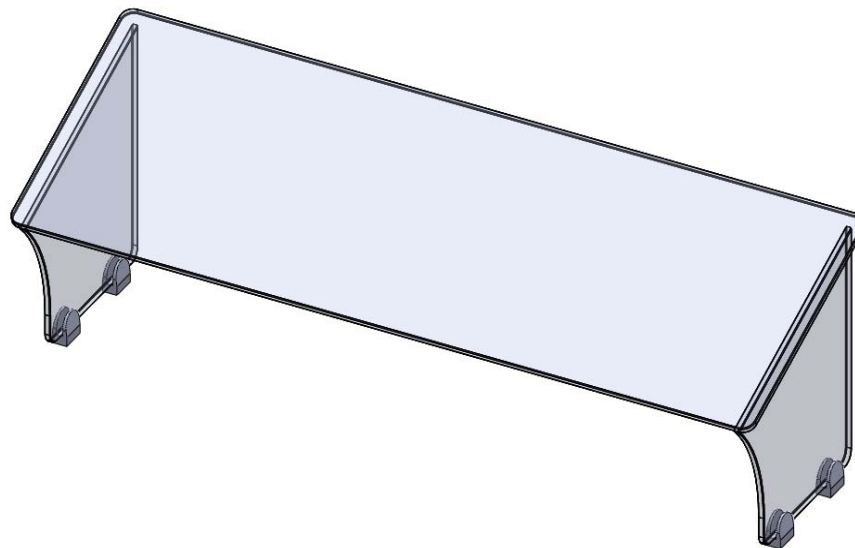
Advise Counter Thickness and Material

End Panels:

NSF 2008 standards for side end panels require:

5.35.6 A vertical barrier (end shield) shall be provided at each end of a foodshield. The vertical barrier shall be a minimum of 18" deep (front to back) beginning at the bottom leading edge of the foodshield. The minimum height of the vertical barrier shall be equal to the overall height of the foodshield.

5.35.6.1 A foodshield intended to be installed a maximum of 3" from a building wall perpendicular to the foodshield is exempt from the requirements of 5.35.6 provided that the height of the building wall is not lower than the overall height of the foodshield.



Specifications for reference only and may be changed without notice. All orders require approved shop drawings prior to release to production. Products are drawn & built to meet NSF Standard 2. It is the responsibility of the customer to ensure product meets local health board standards.

Web: www.premierbrass.com
 Email: info@premierbrass.com
 Phone: 1-800-251-5800
 Fax: 1-800-251-2515



Printed in the USA (04/2013)
 Premier1Source, Inc.
 255 Ottley Drive. N.E.
 Atlanta, Ga 30324

UV BONDED GUARDS