



Project \_\_\_\_\_

Item # \_\_\_\_\_

Quantity \_\_\_\_\_

# Flav-R-Shield™ Adjustable Self-Service Sneeze Guards - Model B950SWIVEL

Item Numbers:

B950SWIVEL-36, -48, -60, -72, -84, -96, -108, -120, -132, -144

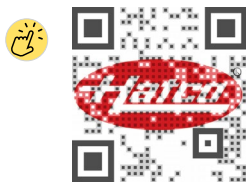
Enhance and protect food products simultaneously with Hatco's Flav-R-Shield™ Adjustable Self-Serve Sneeze Guards – B950SWIVEL for self-service applications. These stylish yet functional Sneeze Guards, with several patented features, are ideal for buffet lines and serving stations to safeguard your food.

## Standard features

- Bracket Heads on Face swivel 90° up to 270° to accommodate turns when using multiple bays
- Patented 15° increment rotating Face Panel with clearances of 9"-19" (229-483 mm) when glass is at a 45° angle
- Mounting Post Height is adjustable up to 23" (583 mm) – based on pivoting Face and adjustable Post Bracket
- Unit comes in one to four bay models, depending on Width
- 1" (25 mm) SAE 304 brushed stainless steel Posts have 1.5" (38 mm) Base Tubes
- Durable 0.375" (10 mm) thick tempered glass construction with 0.75" (19 mm) radius corners and flat polished edges for a clean look – stand alone End Panels are 0.25" Thick x 12" Deep x 20" High (6 x 305 x 508 mm)
- Stainless steel finish Flange Cup Base is 1.9" (48 mm) in Diameter
- Mounts to stainless steel, natural and engineered solid stone surfaces and laminate countertops

## Customizable features

- Face Panel Width: 8" to 75" (203 to 1905 mm) in 0.25" (6 mm) increments
- End Panel: Right only, left only or none
- End Panel: Available in Depths of 8" to 75" (203 to 1905 mm) in 0.25" (6 mm) increments
- Light Bar: Panel must be 18" (457 mm) Wide or Wider
- Light Bracket (stand alone): 1, 2, 3, or 4 light brackets
- Post Finish: Powder coated black



## Customize unit now!

Custom configurations available:  
Hardware, glass, lighting and more!  
Scan or click the QR code to the left.  
[www.hatcosneezeguards.com](http://www.hatcosneezeguards.com)



HATCO CORPORATION | P.O. Box 340500 Milwaukee, WI 53234-0500 U.S.A. | (800) 558-0607 | (414) 671-6350

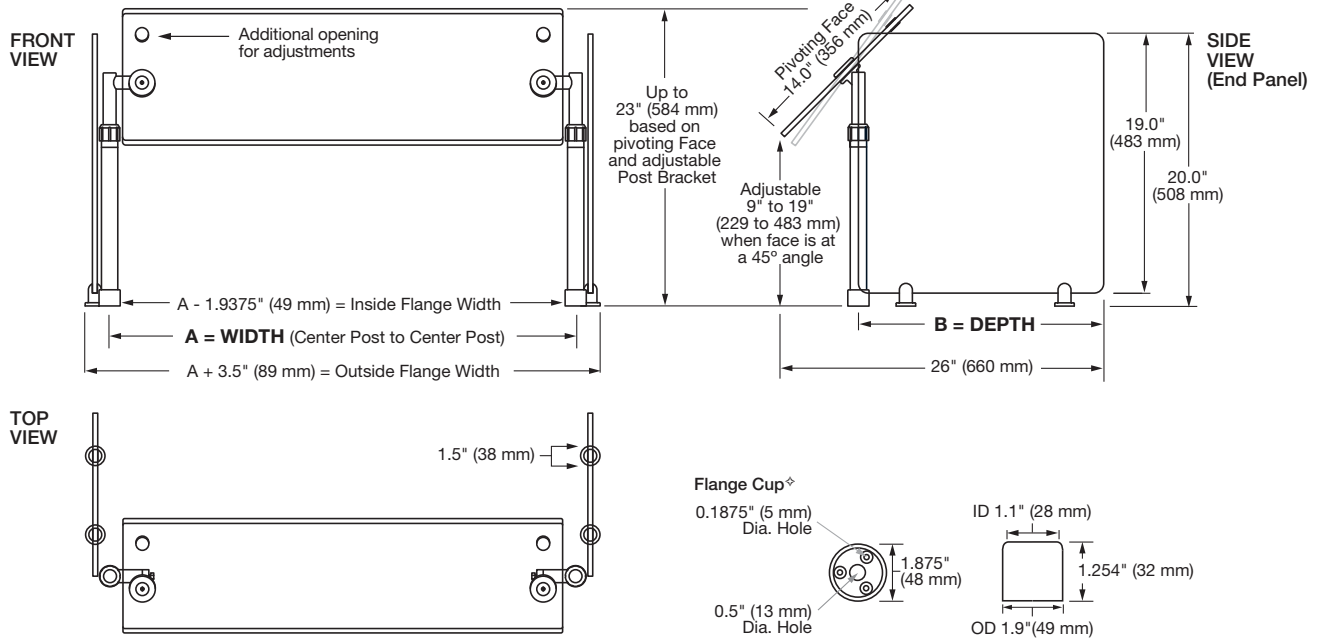
[www.hatcocorp.com](http://www.hatcocorp.com) | [www.hatcosneezeguards.com](http://www.hatcosneezeguards.com) | [support@hatcocorp.com](mailto:support@hatcocorp.com) | [Find a Hatco Rep](#) | [Image Library](#) | [Document Library](#) | [Patents](#) | [Chat](#)



# Flav-R-Shield™ Adjustable Self-Service Sneeze Guards - Model B950SWIVEL

Item Numbers: B950SWIVEL-36, -48, -60, -72, -84, -96, -108, -120, -132, -144

## Model B950SWIVEL Standard offerings (one bay shown)



## SPECIFICATIONS Flav-R-Shield™ Adjustable Self-Service Sneeze Guards - Model B950SWIVEL

Number of Bays	Item Number	A Width Center of Post to center of Post	B Depth Center of Post to edge of End Panel	Height	Side Panel Depth x Height	Approx. Weight ■
1	B950SWIVEL-36	36" (914 mm)	18" (457 mm)	Up to 23" (584 mm) based on pivoting Face and Adjustable Bracket	18" x 19" (457 x 483 mm)	66 lbs. (30 kg)
2	B950SWIVEL-48	48" (1219 mm)				86 lbs. (40 kg)
2	B950SWIVEL-60	60" (1524 mm)				92 lbs. (42 kg)
2	B950SWIVEL-72	72" (1829 mm)				98 lbs. (45 kg)
2	B950SWIVEL-84	84" (2134 mm)				106 lbs. (49 kg)
3	B950SWIVEL-96	96" (2438 mm)				134 lbs. (61 kg)
3	B950SWIVEL-108	108" (2743 mm)				134 lbs. (61 kg)
3	B950SWIVEL-120	120" (3048 mm)				143 lbs. (65 kg)
4	B950SWIVEL-132	132" (3353 mm)				163 lbs. (74 kg)
4	B950SWIVEL-144	144" (3658 mm)				167 lbs. (76 kg)

↗ To attach, use single .375 (10 mm) single lag bolt in center or three (#10 or #12) drywall screws- not included ■ Items may be shipped in multiple boxes.

## PRODUCT SPECS Flav-R-Shield™ Adjustable Self-Service Sneeze Guards - Model B950SWIVEL

Flav-R-Shield Adjustable Self-Service Sneeze Guard - Model B950SWIVEL shall be manufactured by the Hatco Corporation, Milwaukee, WI 53234 U.S.A. The unit shall be ... inches (millimeters) in overall width, ... inches (millimeters) in overall depth and ... inches (millimeters) in overall height.

The Sneeze Guard shall be a fixed Self-Serve with patented 15° increment rotating Face Panel with clearances of 9"-19" (229-483 mm) when glass is at a 45° angle, Bracket Heads on Face swivel 90° up to 270°, Posts with adjustable Height up to 23" (583 mm) - based on pivoting Face and adjustable Post Bracket, 1" (25 mm)

SAE 304 brushed stainless steel Posts with 1.5" (38 mm) Base Tubes, 0.375" (10 mm) thick tempered glass construction with 0.75" (19 mm) radius corners and flat polished edges, stand alone End Panels are 0.25" Thick x 18" Deep x 19" High (6 x 457 x 483 mm) and Stainless steel finish Flange Cup Base 1.9" (48 mm) Dia. Unit shall mount to stainless steel, natural and engineered solid stone surfaces and laminate countertops.

Warranty consists of one (1) year parts only.

HATCO CORPORATION | P.O. Box 340500 Milwaukee, WI 53234-0500 U.S.A. | (800) 558-0607 | (414) 671-6350

[www.hatcocorp.com](http://www.hatcocorp.com) | [www.hatcosneezeguards.com](http://www.hatcosneezeguards.com) | [support@hatcocorp.com](mailto:support@hatcocorp.com) | [Find a Hatco Rep](#) | [Image Library](#) | [Document Library](#) | [Patents](#) | [Chat](#)