



The Signature of Quality

**FEDERAL INDUSTRIES**

A Standex Company

215 Federal Avenue Belleville  
Wisconsin 53508-9201

**Phone:** 800-356-4206

**Fax:** 608-424-3234

**Email:** Geninfo@Federalind.com

**Website:** Federalind.com

Project Name: \_\_\_\_\_

Item #: \_\_\_\_\_

Model #: \_\_\_\_\_ Qty: \_\_\_\_\_

Approval: \_\_\_\_\_

AIA #

SIS #

## Italian Glass Non-Refrigerated Self-Serve Merchandiser

Designed for customers looking for a rich, up-scale Italian styling for maximum visual appeal that will drive product sales.



Model ITDSS4834-B18 Shown  
with optional laminate

### OPTIONAL ACCESSORIES

- Special Base Laminates
- Condensate Pump
- Cord & Plug [6'/1829mm] [SC Models only]
- Stainless Steel Shelving
- Reflective Ends
- 4"/102mm Casters
- Recessed Casters
- 6"/152mm Legs with or without skirt
- Rear Package
- Joining Kit for Continuous Line Ups

### MODEL

### DIMENSIONS

(Includes End Panels)

<input type="checkbox"/> ITDSS3626-B18	36 x 33 x 44 (in) 914 x 838 x 1118 (mm)
<input type="checkbox"/> ITDSS4826-B18	48 x 33 x 44 (in) 1219 x 838 x 1118 (mm)
<input type="checkbox"/> ITDSS6026-B18	60 x 33 x 44 (in) 1524 x 838 x 1118 (mm)
<input type="checkbox"/> ITDSS3634-B18	36 x 33 x 52 (in) 914 x 838 x 1321 (mm)
<input type="checkbox"/> ITDSS4834-B18	48 x 33 x 52 (in) 1219 x 838 x 1321 (mm)
<input type="checkbox"/> ITDSS6034-B18	60 x 33 x 52 (in) 1524 x 838 x 1321 (mm)

### STANDARD FEATURES

#### Model Features

- Powder coated steel base construction with a choice of six standard laminates
- Stainless steel interior
- Tempered thermo-pane glass construction
- Removable tempered sliding glass rear doors
- Adjustable Leg Levelers
- Rear air intake and discharge
- Energy Saving Night Curtain

#### Refrigeration

- Electronic temperature control with on demand defrost
- PTC Condensate evaporator provided for a totally self-contained system
- Easily accessible light switch, power switch, and electronic temperature control

#### Shelving

- Adjustable tempered glass shelves. Shelves are adjustable up and down and can be tilted in two positions (0o/5o angle). 4" (864mm) models have three tiers of shelves; 26" (660) models have two tiers of shelves.

#### Lighting

- 3500K LED top light and shelf lights
- DLC Certified, IP66 rated

#### Agency Approvals

- UL, C-UL, and UL Sanitation Listed to NSF-7, Type I conditions



#### WARRANTY\*

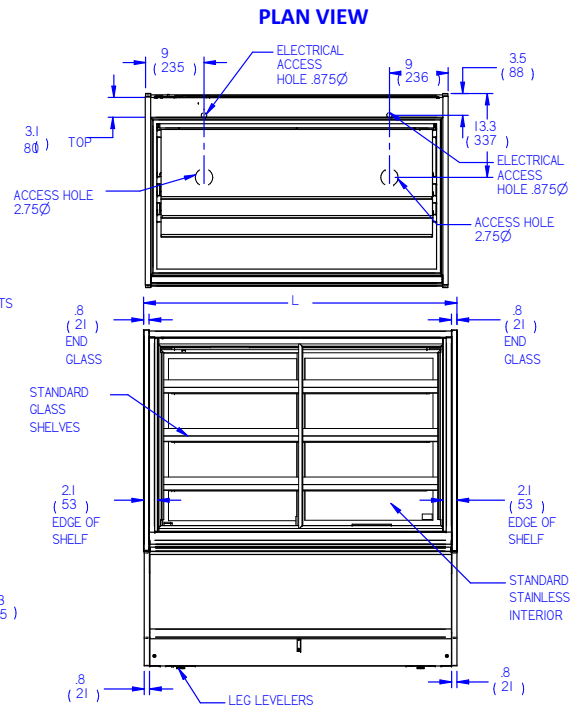
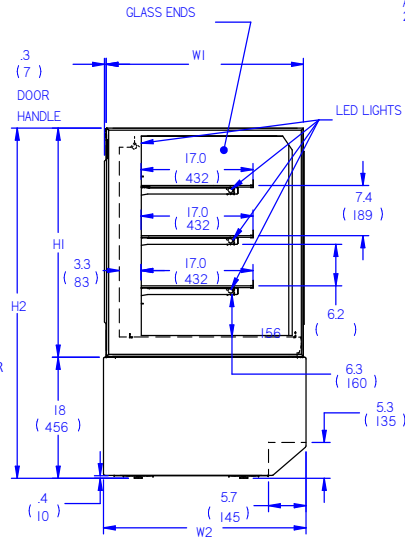
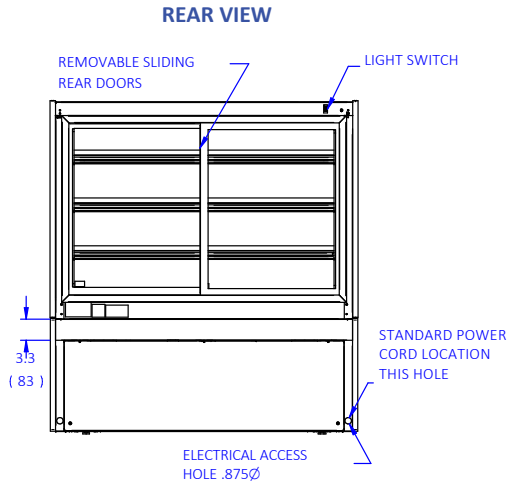
One year Parts and Labor  
2nd thru 5th year part only  
service compressor  
(U.S.A. and Canada)

Note: Information is subject  
to change at any time. Visit  
[www.federalind.com](http://www.federalind.com) For the  
most current specs.

AIA #	<h1 style="margin: 0;">Italian Glass Non-Refrigerated Self-Serve Merchandiser</h1>
SIS #	
<b>Product Specifications</b>	

Intended Environment: Type I - Designed to operate in ambient conditions of 75°F [24°C] and 55% relative humidity unless noted otherwise in system information below.		
<b>Zone</b>	<b>Intended product to be displayed</b>	<b>Avg prod temp °F / °C</b>
All	Packaged refrigerated products	38°F / [3.3°C]

DIMENSION: xx"/(mm)



DIMENSION TOLERANCE +/- 0.19 (4.8)

**SIDE VIEW**

**FRONT VIEW**

E3751-7

MODEL	DIMENSIONS					SHELVES	SHIPPING WEIGHT		VOLTAGE	AMPS	NEMA PLUG
	L	D	H1	H2	UNITS		LBS	KILO			
ITDSS3626-B18	36	33	26	44	in.	2	550	250	120/60/1	MAX FUSE 15	NEMA 5-15P
	914	838	661	1118	mm.						
ITDSS4826-B18	48	33	26	44	in.	2	640	290	120/60/1	MAX FUSE 15	NEMA 5-15P
	1219	838	661	1118	mm.						
ITDSS6026-B18	60	33	26	44	in.	2	700	318	120/60/1	MAX FUSE 15	NEMA 5-15P
	1524	838	661	1118	mm.						
ITDSS3634-B18	36	33	34	52	in.	3	525	238	120/60/1	MAX FUSE 15	NEMA 5-15P
	914	838	864	1321	mm.						
ITDSS4834-B18	48	33	34	52	in.	3	575	261	120/60/1	MAX FUSE 15	NEMA 5-15P
	1219	838	864	1321	mm.						
ITDSS6034-B18	60	33	34	52	in.	3	800	363	120/60/1	MAX FUSE 15	NEMA 5-15P
	1524	838	864	1321	mm.						

• Due to continuing engineering improvements, specifications are subject to change without notice.



**FEDERAL INDUSTRIES**  
 A Standex Company  
 215 Federal Avenue, Belleville, Wisconsin 53508-9201

**Phone:** 800-356-4206  
**Fax:** 608-424-3234  
**Email:** Geninfo@Federalind.com  
**Website:** Federalind.com