



 RÔTISSERIE

STAR-CLEAN MINI-CONCEPT

5.520i2LSP8

STAR-CLEAN MINI-CONCEPT

Space-, time-, and energy-saving Mini Rotisserie Concept with assisted cleaning. Boost impulse sales and maximize food presentation during the cooking process.

The MINI-CONCEPT: Optimization of space with a self-service display

Heated display with dual level stainless steel shelves angled at 10° for grab-and-go convenience. Featuring digital electronic temperature control. Mounted on castors with brakes.

Topped by a programmable STAR-CLEAN convection rotisserie with baskets or chicken spits. 6 pre-set recipes via digital controls. Pre-heat, hold and cool-down cycles.

Wash program cycle removes internal grease and guarantees a quick return to service with low labor impact. Safely dispose of hot grease in optional tub lined with disposable heat--proof liner.

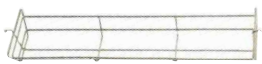




Optional rear door reach-in and pass-through configuration allows your operators to load and unload from the back of the rotisserie. Front or rear control options.

EXPAND MENUS

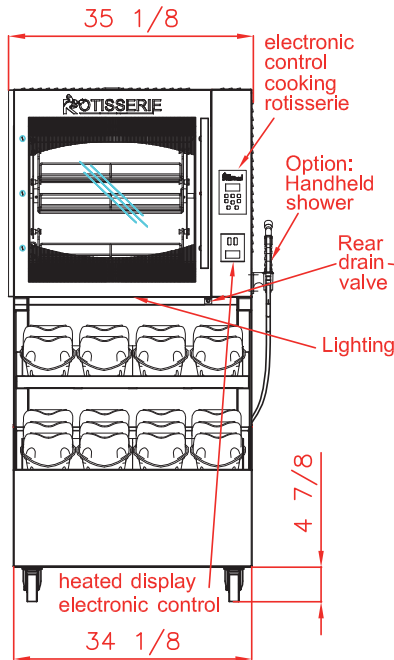
A variety of baskets and skewers easily slide into place to cook pork loin, turkey breast, meatloaf, ribs, vegetables, and more. See [video](#).



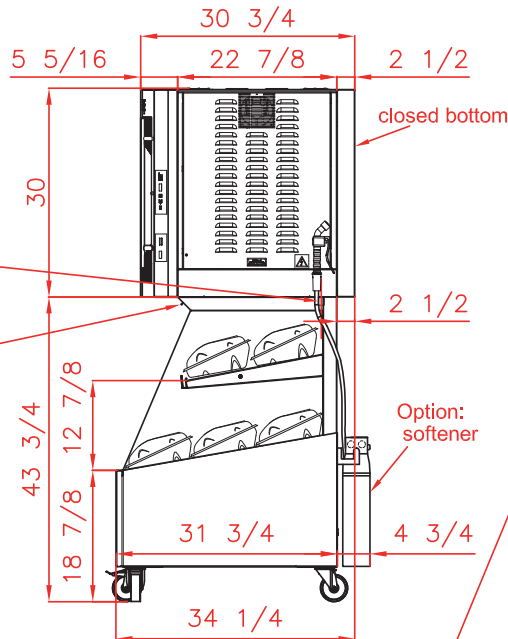
5.520i2LSP8

<p>BALD520 Chicken baskets standard</p>		<p>BAP520 Small cuts basket</p>		<p>BAB520 Spit for large pieces</p>	
<p>PDSC520 Stainless steel top tray</p>		<p>BCRA520 Spatchcock chicken basket</p>			

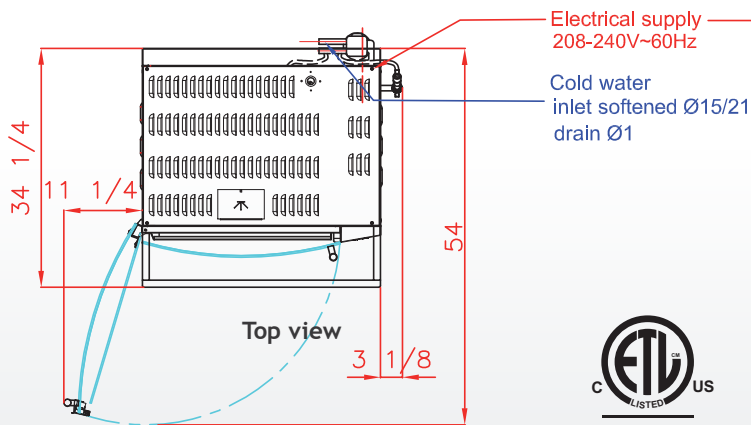
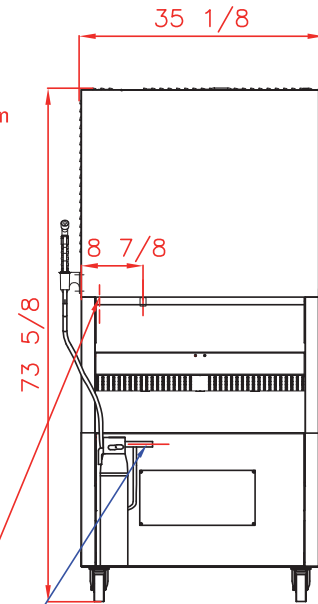
Front view
Customer side



Side view



Side view



5.520i2LSP8

Revised:
March 2021
U.S. April 2021

SPECIFICATIONS

Capacity roasted chickens	15-20 chickens, 5 baskets/spits
Display capacity	20 chickens
Power supply	208-240V~60Hz; 3-phase + Ground
Electrical power	35 Amps; 7.15 kW
Weight and size (HxDxW)	474 lbs; 73 5/8 x 34 1/4 x 35 1/8 inches
Shipping weight and size	584 lbs; 81 1/8 x 36 5/8 x 36 5/8 inches
Warranty	1 year parts and labor

DISTRIBUTOR / AGENT

Rotisol France, Inc.
415 W. Walnut St. Gardena, CA 90248
info@rotisolusa.com
Ph: 310 671 7254
800 651 5969