



CANOVA 300 - 12"

Heavy-duty slicer, compact



Canova 300

- Compact yet sturdy, ideal for heavy-duty use in a limited counter space
- Exclusive high-quality, rounded, no edges design, increased blade and machine body gap, easy breakdown for a fast and effective cleaning
- Inner blade cover ensures a perfectly aligned cut. No waste when cutting same product at different times.
- Zero blade exposure due to a permanent blade rim guard and a carriage lockout to prevent exposed blade edge when the carriage and blade guard are removed for cleaning purposes
- Safety hand guard mounted to the carriage.
- No voltage release prevents inadvertent reactivation after a power outage.

Features

Technical:

- The slide shaft is made of ground, chromed steel for a smoother operation.
- The high-quality bushings and ball bearings are self-lubricating.
- The dial thickness control cam system allows for an always precise cut.

Safety:

- A safety cover is placed under the motor and the electrical components.
- The hopper features an exclusive heavy duty plastic protection to keep operator's hand at a safe distance from the blade while operating the slicer.
- A permanently-mounted knife ring guard covers the non-cutting side of the blade.
- Overcurrent protection

Sanitary:

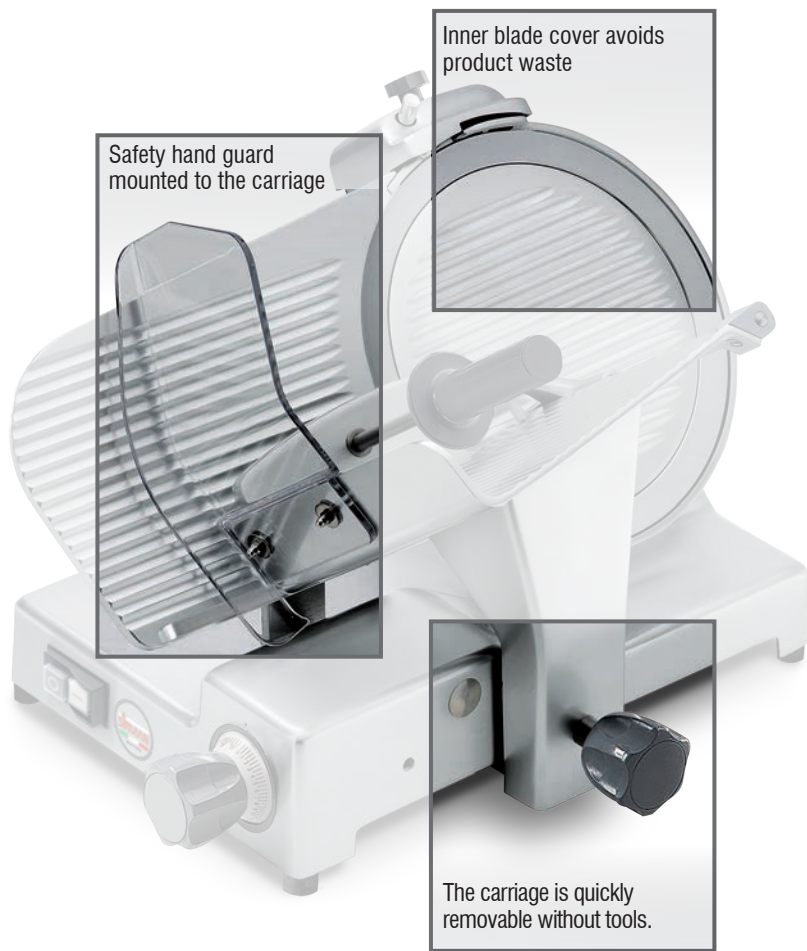
- Easy to clean aluminum alloy construction does not crack or stain.
- The carriage and the center plate are quickly removable without tools.

Specifications

Operation:	Gravity feed.
Construction:	Polished, anodized aluminum alloy.
Knife:	One piece, hollow ground, tempered, chromium plated carbon steel blade.
Sharpener:	Built-in, removable two stone dual action.
Slice thickness:	Infinitely variable up to 1/2"
Motor:	0.5 Hp (375W), belt-driven, fan cooled.
Electrical:	120V AC, 60Hz, 1.55 Amp
Plug & Cord:	Attached, flexible, 3 wire SJT AWG 16, 6'4" long.
Switch:	ON/OFF push button switch with indicator light, no-voltage release



Certified to UL Standard 763 and NSF Standard 08
 Certified to CSA Standard C22.2



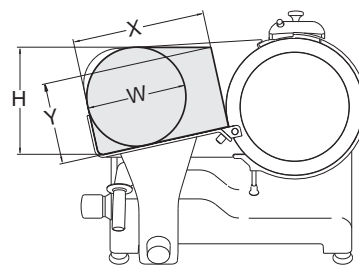
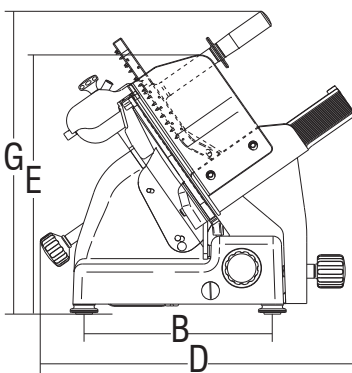
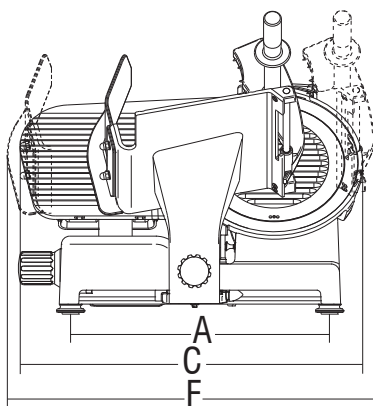
Safety hand guard mounted to the carriage

Inner blade cover avoids product waste

The carriage is quickly removable without tools.



Wide gap between blade and body



	Ø Blade	Motor	Cut thickness	Blade rpm	Carriage stroke	Hopper	A	B	C	D	E	F	G	X	Y	H	W	Net weight	Shipping	Gross weight
	mm/inch	watt/Hp	inch.	rpm	inch.	inch.	inch.	inch.	inch.	inch.	inch.	inch.	inch.	inch.	inch.	inch.	inch.	lbs.	inch.	lbs.
Canova 300	300/12"	375 - 0.5 peak	½"	350	10 13/16"	9 7/16" x 9 1/16"	16 7/8"	11 7/16"	23 1/4"	19 1/2"	14"	25 3/16"	19 1/2"	9 1/16"	6 7/8"	8 11/16"	7 7/8"	58	31 1/2" x 23 3/8" x 20 1/2"	69

