



3 Solid Door Reach-In Freezer ♦ NP3F



Standard Features

- ♦ Stainless steel series 430 exterior
- ♦ Stainless steel series 304 interior
- ♦ Stucco aluminum back panel
- ♦ Self closing hinged doors with 90 degree stay open feature
- ♦ Bottom mounted compressor
- ♦ Optional 3-inch legs
- ♦ LED digital temperature display
- ♦ PVC coated adjustable wire shelves
- ♦ Interior lighting
- ♦ Self contained system, simple plug installation
- ♦ Heavy-duty castor wheels

Technical Specifications

Product Classification	Freezer
Climate Class	N
Number of Doors	3
External Cabinet Material	430 Stainless Steel
Internal Cabinet Material	304 Stainless Steel
Type of Refrigeration Agent	R-290
Type of Temperature Control	Digital
Temperature Range °C	-22°C to -18°C
Temperature Range °F	-8°F to 0°F
Voltage / Frequency	115V / 60Hz
Amp	13.5
Compressor HP	1-1/4
Type of Insulation	2.5-Inch Polyurethane Foam
Door Handle	Full Length

Certified Safety Standard

- ♦ ETL Listed
- ♦ ETL Sanitation Listed



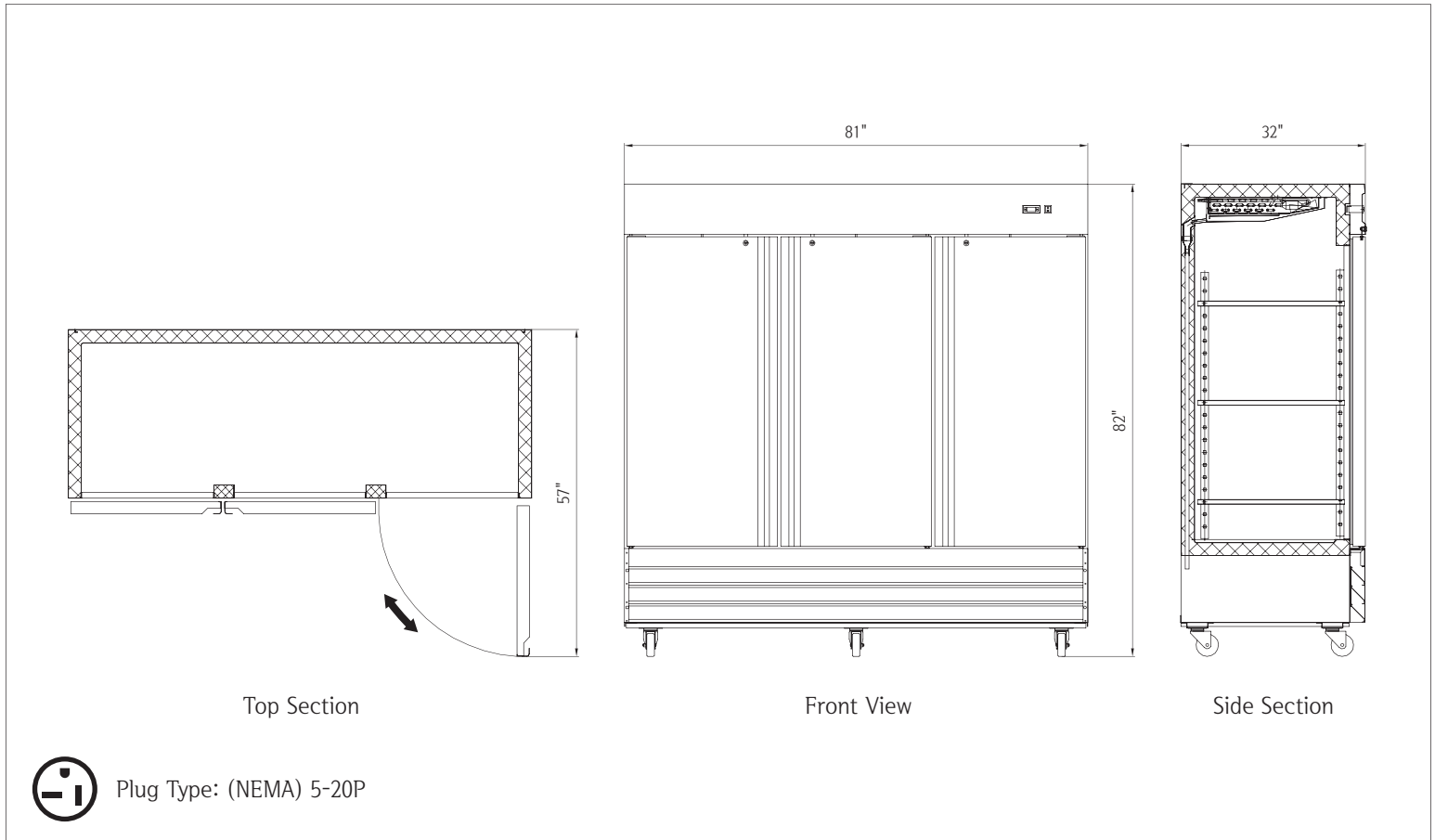
Warranty Information

- ♦ 5 Years Compressor
- ♦ 3 Year Parts & Labor





3 Solid Door Reach-In Freezer ♦ NP3F



Capacity	
Capacity	72 cu. ft.

Dimensions	
Internal Cabinet Width	76 in
Internal Cabinet Depth	27 in
Internal Cabinet Height	60 in
External Width	81 in
External Depth	32 in
External Height	82 in
Shipping Dimensions (W x D x H)	83 x 34 x 84 in

Weight	
Gross Weight	709 lbs.

Accessories	
Cycle Defrosting	Yes
Frost Free	Yes
Adjustable Shelves	9
Fixed Shelves	No
Internal Light	Yes
Internal Light Switch	No
External Light Switch	No
Self Closing Door/Lid	Yes
Door Holder for Loading	Yes
Door/Lid Lock	Yes
Reversable (Left) Door	Yes
Adjustable Feet	Optional
Adjustable Thermostat	Yes