



T&S BRASS AND BRONZE WORKS, INC.
 2 Saddleback Cove / P.O. Box 1088
 Travelers Rest, SC 29690

Model No.
B-0123-CR-B8P

Item No.

Travelers Rest, SC: 800-476-4103 • Simi Valley, CA: 800-423-0150 • Fax: 864-834-3518 • www.tsbrass.com

This Space for Architect/Engineer Approval

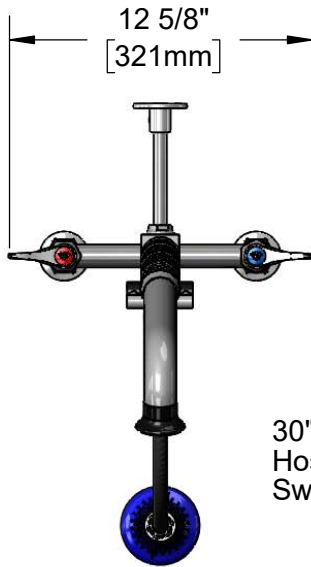
Job Name _____ Date _____

Model Specified _____ Quantity _____

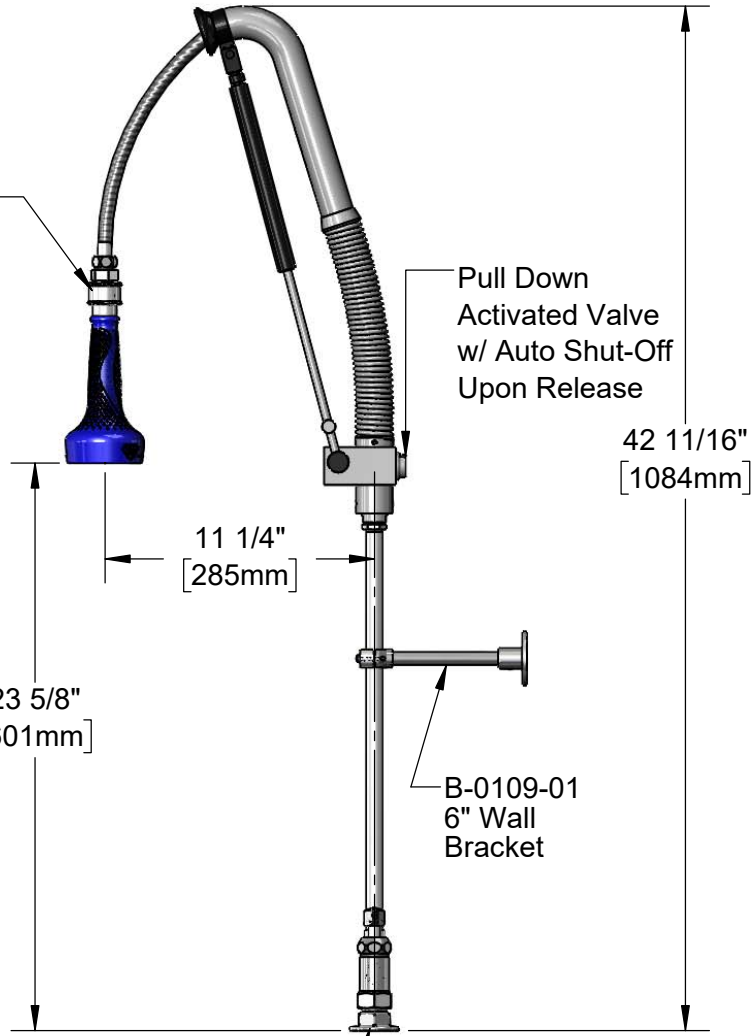
Customer/Wholesaler _____

Contractor _____

Architect/Engineer _____



30" Flexible Stainless Steel
 Hose w/ Spring, Air Cylinder,
 Swivel, & 1.07 GPM Sprayer



Pull Down
 Activated Valve
 w/ Auto Shut-Off
 Upon Release

Items Not Shown
 for Clarity

3/8" NPT x 18" Riser

EasyInstall
 Lock Nut & Bushing

Quarter-Turn
 Cerama Cartridges w/
 Check Valves &
 Lever Handles w/
 Color Coded Indexes

B-0109-01
 6" Wall
 Bracket

5 1/8"
 [130mm]

8"
 [203mm]

Adjustable From
 7 3/4" to 8 1/4"
 [197mm to 210mm]

Ø 2" [51mm]
 Flanges w/
 1/2" NPT
 Female Inlets

Product Specifications:

EasyInstall Pull-Down Pre-Rinse Unit: 8" Deck Mount Mixing
 Faucet, Quarter-Turn Cerama Cartridges w/ Check Valves, Lever
 Handles, 30" Flexible Stainless Steel Hose, 1.07 GPM Sprayer, 6"
 Wall Bracket & 1/2" NPT Female Inlets with Ø 2" Adjustable
 Flanges

Product Compliance:

ASME A112.18.1 / CSA B125.1
 NSF 61 - Section 9
 NSF 372 (Low Lead Content)
 2019 DOE PRSV - Class II



T&S BRASS AND BRONZE WORKS, INC.

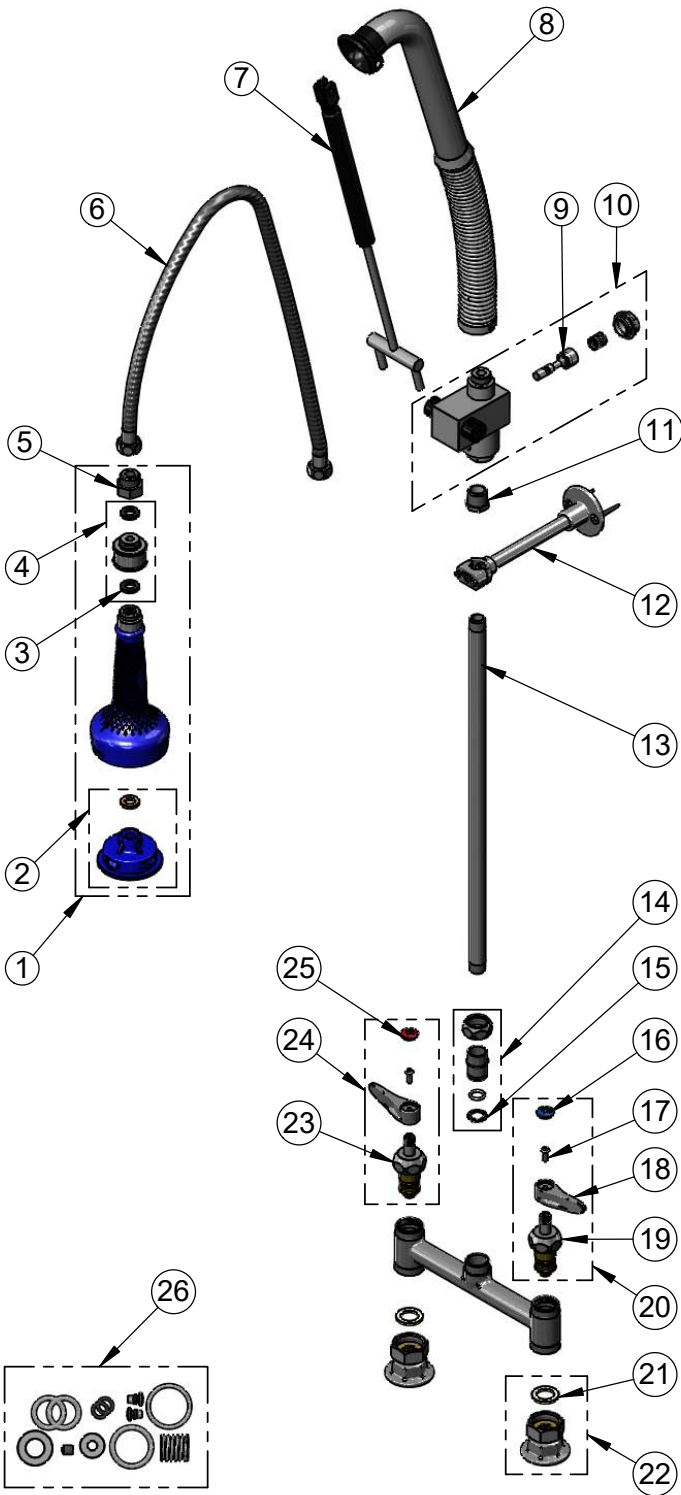
2 Saddleback Cove / P.O. Box 1088
Travelers Rest, SC 29690

Model No.

B-0123-CR-B8P

Item No.

Travelers Rest, SC: 800-476-4103 • Simi Valley, CA: 800-423-0150 • Fax: 864-834-3518 • www.tsbrass.com



| ITEM NO. | SALES NO. | DESCRIPTION |
|----------|-------------|---|
| 1 | 019898-40 | 1.07 GPM Sprayer w/ Swivel |
| 2 | 108SF-RK | Spray Face Repair Kit |
| 3 | 001014-45 | Washer, B-0100 Hose Barrel |
| 4 | 018200-40 | 3/8" NPT Live Swivel |
| 5 | 005221-25 | 7/8"-20 x 1/2" BSPP Adapter |
| 6 | 019901-45 | 30" Stainless Steel Braided Hose w/ 1/2" NPSM Threads |
| 7 | 020062-45 | Air Cylinder Repair Kit |
| 8 | 020060-45 | Spring & Tube Repair Kit |
| 9 | 020061-45 | Valve Stem Repair Kit |
| 10 | 020063-45 | Valve Body Repair Kit |
| 11 | 001359-40 | Hex Bushing, 1/2" NPT Male x 3/8" NPT Female |
| 12 | B-0109-01 | 6" Wall Bracket |
| 13 | 000369-40 | 3/8" NPT x 18" Riser |
| 14 | EZ-K | EasyInstall Kit: Nut, Bushing, O-ring & Lock Washer |
| 15 | 014200-45 | Star Washer, Anti-Rotation |
| 16 | 018506-19NS | Blue Button Index, Press-in |
| 17 | 000925-45 | Lab Handle Screw |
| 18 | 001638-45NS | Lever Handle (New Style) |
| 19 | 012395-25NS | Quarter-Turn Cerama Cartridge w/ Check Valve, LTC |
| 20 | 012447-25NS | Quarter-Turn Cerama Cartridge w/ Check Valve, Handle, Blue Index & Screw, LTC |
| 21 | 001019-45 | Coupling Nut Washer |
| 22 | 00AA | 1/2" NPT Female Eccentric Flange |
| 23 | 012394-25NS | Quarter-Turn Cerama Cartridge w/ Check Valve, RTC |
| 24 | 012446-25NS | Quarter-Turn Cerama Cartridge w/ Check Valve, Handle, Red Index & Screw, RTC |
| 25 | 001193-19NS | Red Button Index, Press-in |
| 26 | 020064-45 | PRU Control Valve Seal Repair Kit |

Product Specifications:

EasyInstall Pull-Down Pre-Rinse Unit: 8" Deck Mount Mixing Faucet, Quarter-Turn Cerama Cartridges w/ Check Valves, Lever Handles, 30" Flexible Stainless Steel Hose, 1.07 GPM Sprayer, 6" Wall Bracket & 1/2" NPT Female Inlets with Ø 2" Adjustable Flanges

Product Compliance:

ASME A112.18.1 / CSA B125.1
NSF 61 - Section 9
NSF 372 (Low Lead Content)
2019 DOE PRSV - Class II