

# Blend

Refrigerated Self-Service End Cap

Structural Concepts®

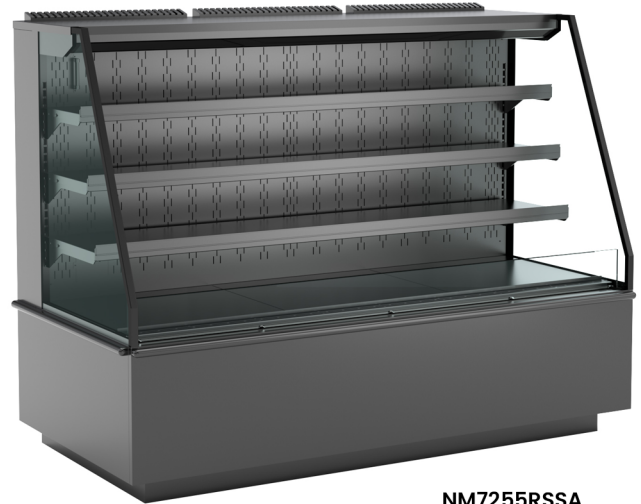
DELIVERING FRESH. ALWAYS.™

• NM7255RSSA

72"L x 34-3/8"D x 55-5/8"H

## Included

- Adjustable, locking casters
- Digital fahrenheit thermometer
- Integrated average product temperature of 40°F or less
- LED top & shelf lights
- One piece formed ABS plastic tub
- One year parts & labor warranty

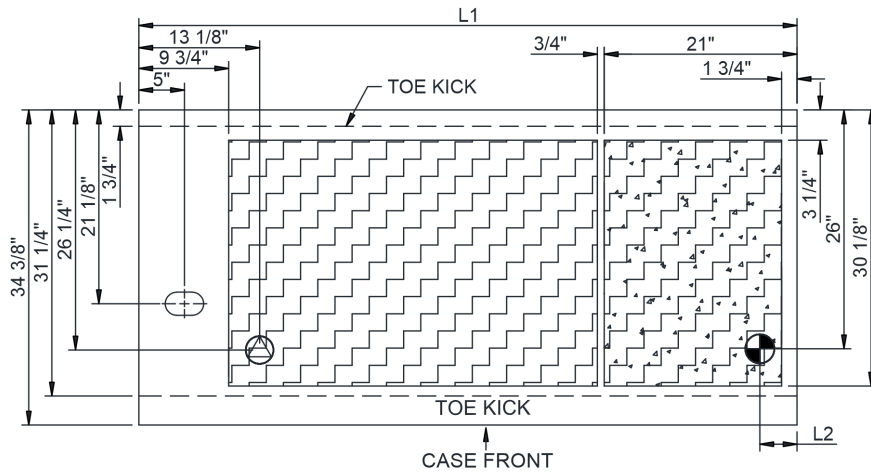


NM7255RSSA

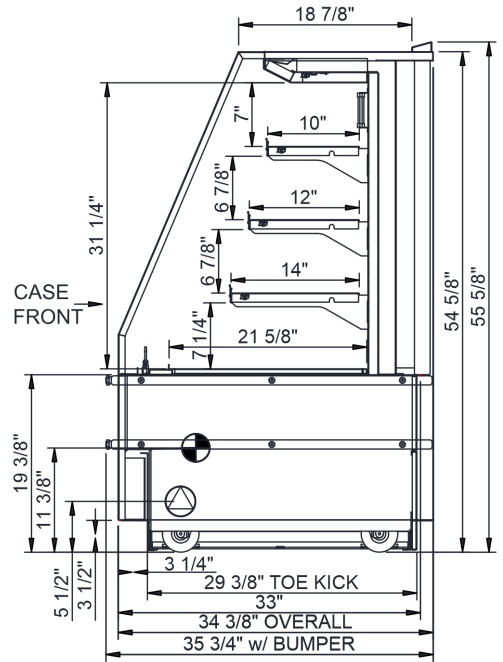
Specify	Standard Features	Additional Options
<b>INTERIOR COLOR</b>	• Powder coated Silversan Black	• Stainless steel
<b>LOWER CLADDING COLOR</b>	• Powder coated (stock colors, specify RAL#)	• Laminate (non-stock colors) • Laminate (stock colors) • Stainless steel
<b>LOWER FRONT PANEL COLOR</b>	• Powder coated Silversan Black	• Stainless steel
<b>UPPER EXTERIOR COLOR</b>	• Powder coated (stock colors, specify RAL#)	• Stainless steel
<b>BUMPER</b>	• 1" Boston bumper (specify color)	• 1" Stainless steel plate rail bumper • None
<b>END PANELS</b>	• Angled glass end panel	
<b>PRICE TAG MOLDING</b>	• None	• 1" Price tag molding (black or silver)
<b>SHELVING</b>	• (3) Levels solid, adjustable shelving	
<b>LIGHTS</b>	• LED 3500K w/ frosted lens	• LED 4000K w/ frosted lens
<b>ELECTRICAL CONNECTION</b>	• 6' Straight blade power cord (self-cont.)	• Electrical leads (remote)
<b>REFRIGERATION</b>	• Breeze~E (Type-II) self-contained refrigeration (front access)	• Remote DX refrigeration • Remote DX w/thermostat, solenoid & TXV
<b>SENSOR</b>	• None	• CPC discharge air sensor (remote)
<b>ACCESSORIES</b>		• Clean Sweep® coil cleaner (self-cont.) • Clear acrylic security cover, removable, locking • Night curtain, retractable, non-locking

<b>Intended Environment:</b> Type II - Designed to operate in ambient conditions of 80°F and 60% relative humidity unless noted otherwise in system information below.		
<b>Zone</b>	<b>Intended Product To Be Displayed</b>	<b>Warmest Avg Prod Temp ° F</b>
1	Packaged refrigerated products	40

PLAN VIEW



SIDE VIEW



NOTE: ALL DIMENSIONS APPROXIMATE

- ELECTRICAL JUNCTION BOX (SUPPLIED WITH 6" LEADS OR POWER CORD).
- LOCATION OF DRAIN TUBE FOR REMOTE REF. ONLY (SUPPLIED WITH 3/4" OR 1 1/2" PVC TUBE).

- REFRIGERATION LINE CONNECTION.
- REMOTE FLOOR SINK & UTILITIES ACCESS AREA.

- SELF-CONTAINED CASE SERVICE ACCESS AREA.
- DRY CASE SERVICE ACCESS AREA.

Model Technical Specifications																
Model	L"	L1"	L2"	System Circuit Volts		Phs	Freq	Amps ***	Watts	Wires	NEMA Plug	SST	Conv. Rack BTUH	Para. Rack BTUH	Est Wt	
NM7255RSSA	N/A	72.00	4.13	Remote (DX)	Circuit #1	110-120	1	60	1.64	105	2+G	Leads Single	20.00	7193	6660	1,100
				Self-Contained (R513A)	Circuit #1	208-240	1	60	12.00	1,909	2+G	6-15P or L6-15P	N/A	N/A	N/A	

\*\*\* Does not include electric defrost on freezer models.

Regulatory Approvals:	
All Models	Accordance with AHRI Std 1200 ETL Listed to UL 471 ETL Listed to CAN/CSA 22.2 No. 120 ETL Sanitation to NSF/ANSI 7



In Accordance with  
**AHRI Std 1200**

**DOE 2017**  
Energy Efficiency  
Compliant

### Important Notes:

- 1) ELECTRICAL NOTE: If GFCI is required, a GFCI breaker MUST be used in lieu of a GFCI receptacle
- 2) Remove tool free front panel to fit through 36" door.
- 3) Back side of counter must be open or vented the full length of the unit to allow proper ventilation for the refrigeration system.
- 4) Glass warranty only applicable to first point of delivery.

**⚠ WARNING:** This product can expose you to chemicals, including Urethane (Ethyl Carbamate), which are known to the State of California to cause cancer and birth defects or other reproductive harm. For more information go to [www.P65Warnings.ca.gov](http://www.P65Warnings.ca.gov).