



Project \_\_\_\_\_  
 AIA # \_\_\_\_\_ SIS # \_\_\_\_\_  
 Item # \_\_\_\_\_ Quantity \_\_\_\_\_ C.S.I. Section 114000

## G SERIES

### 1, 2 & 3 Section Display Refrigerators Self-Contained Hinged Glass Door(s)



#### STANDARD PRODUCT FEATURES

- High Performance, Energy Efficient Refrigeration System Using R290
- Thermostatic Expansion Valve Metering Device Promotes Superior Temperature Recovery
- Perfect for Front-of-House Applications
- Reliable Microprocessor Control With LED Temperature Display
- Evaporator Coil Outside Food Zone Provides More Usable Space
- Load-Sure™ Guard Prevents Problems From Improper Loading
- Stainless Steel Front, Anodized Aluminum Sides & Interior
- Full Height Length Hinged Glass Doors With Locks
- Patented LED Display Door
- Long Life EZ-Clean™ Door Gaskets
- (3) Epoxy Coated Shelves Per Section (factory installed)
- Easy to Maintain Front Facing Condenser Coil
- 6" High Locking Casters, (2) with Brakes / (2) without Brakes

#### FIELD INSTALLED ACCESSORIES & OPTIONS

- Trayslides for 18" x 26" Sheet Pans
- Trayslides for 12" x 20" Food Pans
- Trayslides for 14" x 18" Sheet Pans
- Additional Shelves
- Set of (4) 4 1/8" Casters in Lieu of Standard
- 6" High Legs

**\*Please refer to the G-Series Accessory Kit Guide for precise details. (Form TR35872)**



Models listed to the applicable UL, CSA and NSF standards by an approved NRTL. Consult the factory or unit data plate for additional information.

#### AVAILABLE CONFIGURATIONS

##### Single Section Models

G11010M  
G11011M

##### Hinging

Right  
Left

##### Two Section Model

G21010M

##### Hinging

Left/Right

##### Three Section Models

G32010M  
G32011M

##### Hinging

Left/Right/Right  
Left/Left/Right

**-GUARANTEED FOR LIFE CAM-LIFT HINGES**

Approved by \_\_\_\_\_ Date \_\_\_\_\_ Approved by \_\_\_\_\_ Date \_\_\_\_\_



# G SERIES

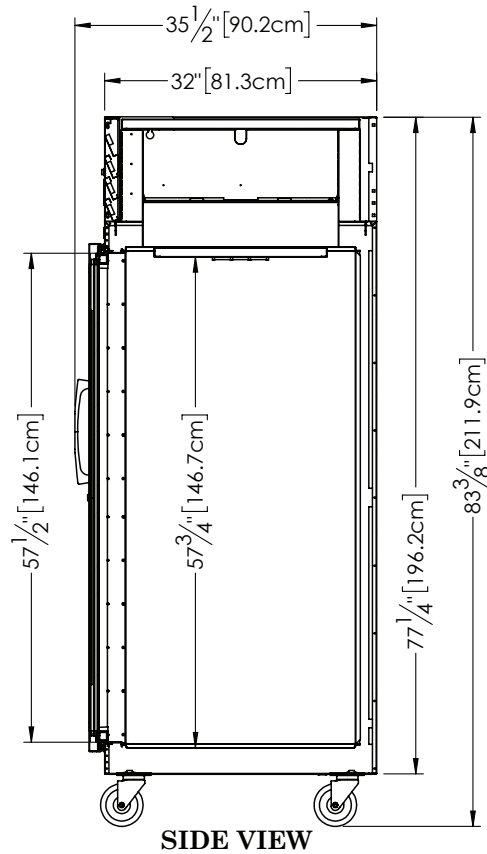
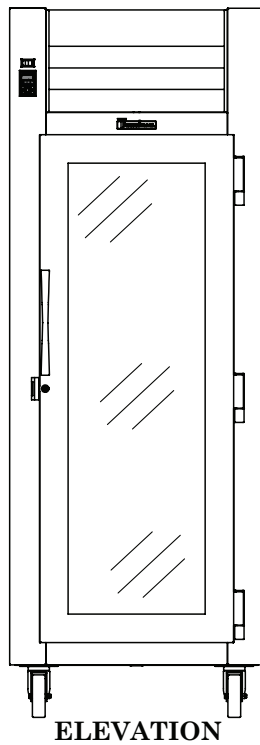
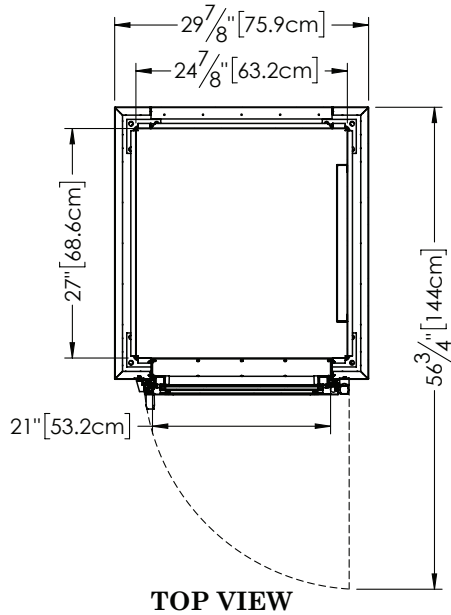
1, 2 & 3 Section Display Refrigerators  
Self-Contained Hinged Glass Door(s)

## MODELS:

One Section Models: G11010M & G11011M

CAD and/or Revit Files Available

<https://traulsen.kclcad.com/>





# G SERIES

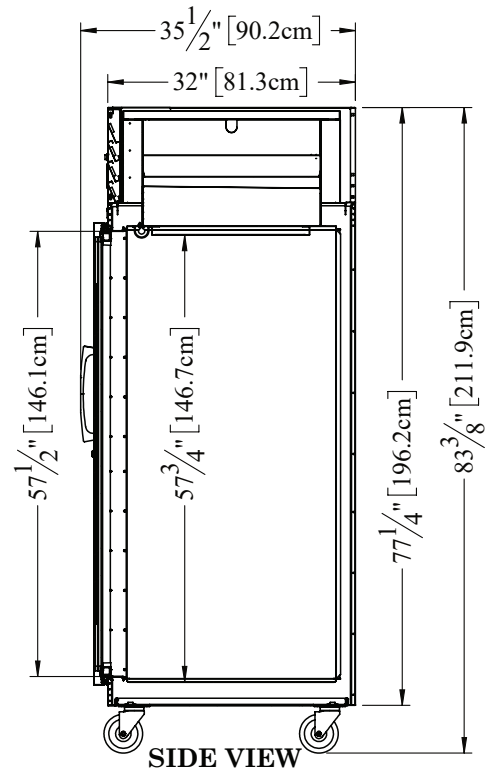
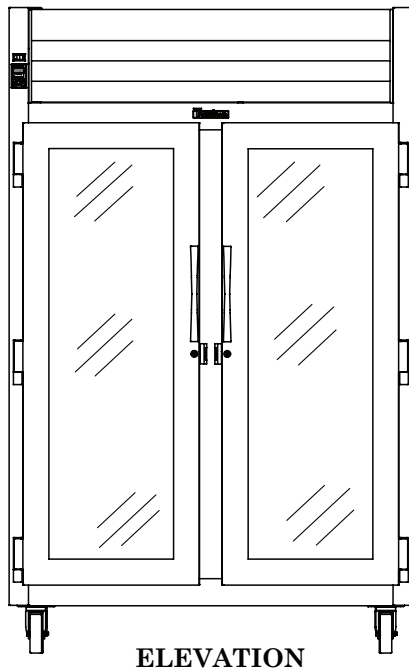
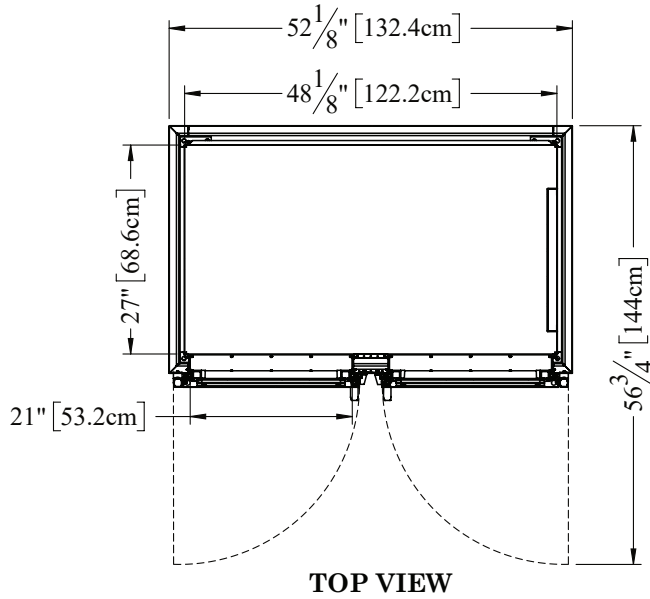
1, 2 & 3 Section Display Refrigerators  
Self-Contained Hinged Glass Door(s)

## MODELS:

Two Section Model: G21010M

CAD and/or Revit Files Available

<https://traulsen.kclcad.com/>





# G SERIES

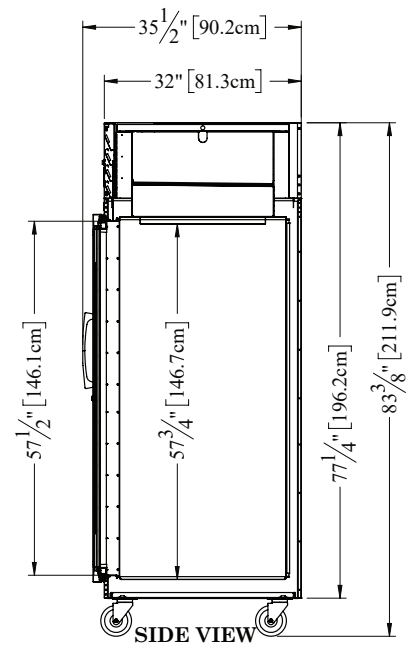
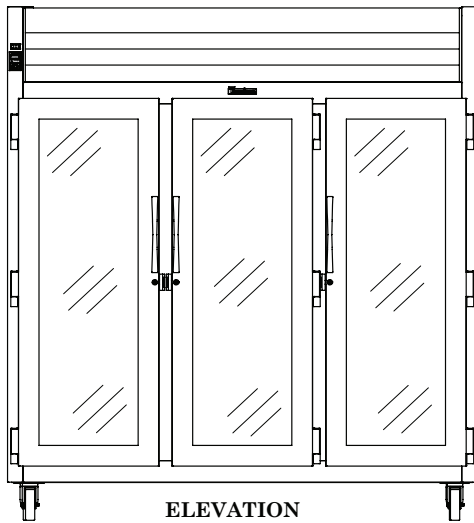
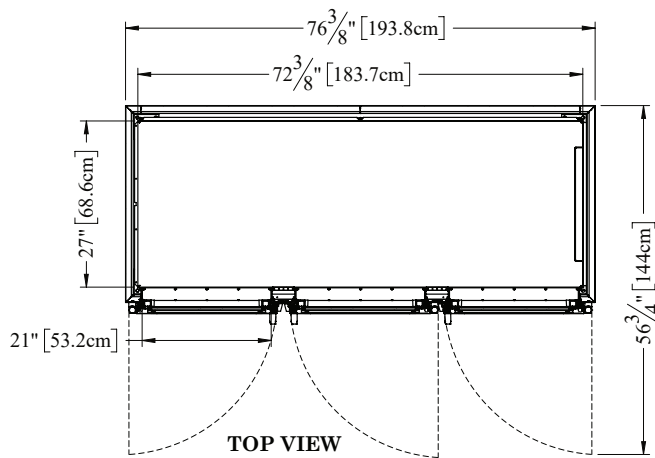
1, 2 & 3 Section Display Refrigerators  
Self-Contained Hinged Glass Door(s)

## MODELS:

Three Section Models: G32010M & G32011M

> CAD and/or Revit Files Available

<https://traulsen.klccad.com/>





# G-SERIES

## 1, 2 & 3 Section Display Refrigerators

### Self-Contained Hinged Glass Door(s)

**One Section Models:** G11010M & G11011M  
**Two Section Model:** G21010M  
**Three Section Models:** G32010M & G32011M

### EQUIPMENT SPECIFICATIONS

MODELS	G1101_M   G21010M   G3201_M
<b>DIMENSIONAL DATA</b>	
Net Capacity cu. ft. (l)	23.57 [667]   46.90 [1328]   70.67 [2001]
G1101_M L x D x H in.	29 <sup>7</sup> / <sub>8</sub> " [75.9 cm] x 35 <sup>7</sup> / <sub>16</sub> " [89.9 cm] x 83 <sup>7</sup> / <sub>16</sub> " [211.9 cm]
G21010M L x D x H in.	52 <sup>1</sup> / <sub>2</sub> " [132.4 cm] x 35 <sup>7</sup> / <sub>16</sub> " [89.9 cm] x 83 <sup>7</sup> / <sub>16</sub> " [211.9 cm]
G3201_M L x D x H in.	76 <sup>5</sup> / <sub>16</sub> " [193.8 cm] x 35 <sup>7</sup> / <sub>16</sub> " [89.9 cm] x 83 <sup>7</sup> / <sub>16</sub> " [211.9 cm]
Depth - over body in.	32" [81.3 cm]
Depth - door open 90° in.	56 <sup>3</sup> / <sub>4</sub> " [144 cm]
Clear door width in.	21" [53.2 cm]
Clear full-height door in.	57 <sup>1</sup> / <sub>2</sub> " [146 cm]
No. Standard Shelves	3   6   9
Shelf Area sq. ft. <sup>2</sup>	18.8 (1.75sq m)   34.6 (3.21sq m)   51.9 (4.82sq m)
<b>ELECTRICAL DATA (NEMA 5-15P attached)</b>	
Voltage   Plug	115/60/1
Full Load Amperes / KWH/24HR <sup>3</sup>	4.7 / 2.14   7.9 / 5.27   14.4 / 7.53
<b>REFRIGERATION DATA</b>	
Refrigerant	R290
Refrigerant Charge oz.	4.5 (127.6 g)   4.5 (127.6 g)   5.2 (147.4 g)
BTU/HR / H.P. <sup>4</sup>	2100 / 1/4 HP   4100 / 3/4 HP   3400 / 1/4 HP
<b>SHIPPING DATA</b>	
G1101_M L x D x H Crated in. <sup>1</sup>	48 (122 cm) x 42 (107 cm) x 85 (216 cm)
G21010M L x D x H Crated in. <sup>1</sup>	62 (158 cm) x 42 (107 cm) x 85 (216 cm)
G3201_M L x D x H Crated in. <sup>1</sup>	91 (231 cm) x 42 (107 cm) x 85 (216 cm)
Volume Crated cu. ft.	71   133   188
Weight - Crated lbs.	355   510   630

**NOTES:**

- 12" Top clearance preferred for optimum performance & service access.
- Figure shown reflects the area of standard shelf complement.
- KWH/24HR = Kilowatt usage per 24 hours
- Based on a 90°F ambient and 20°F evaporator.

**CONSTRUCTION, HARDWARE, INSULATION**

Cabinet exterior front and louver assembly are constructed of heavy gauge stainless steel. Cabinet sides (including returns) and interior are constructed of anodized aluminum. The exterior cabinet top, back and bottom are constructed of heavy gauge galvanized steel. A set of four (4) 6" high casters are included.

Patented door design includes built-in LED display lights, removable plug cylinder locks and guaranteed for life cam-lift, gravity action, self-closing metal, glide hinges with stay open feature at 120 degrees. An exterior mounted switch is provided to operate the LED lighting. Each door includes a vertically mounted stainless steel handle.

Gasket profile and durable long life material simplify cleaning and increase overall gasket life. Anti condensate heaters are located behind each door opening. The cabinet is insulated with an average of 2" thick high density, non-CFC, foamed in place polyurethane.

**SELF-CONTAINED REFRIGERATION SYSTEM**

A top mounted, self-contained, balanced refrigeration system using environmentally-friendly, low GWP R290 refrigerant is conveniently located behind the one piece louver assembly. It features an easy to clean front facing condenser, thermostatic expansion valve, air-cooled hermetic compressor, large, high humidity evaporator coil located outside the food zone and a top mounted non-electric condensate evaporator. A 9' cord and plug is provided. Standard operating temperature is 36 to 38°F.

**CONTROL**

The easy to use water resistant microprocessor control system is supplied standard. It includes a 3-Digit LED Display, and a Fahrenheit or Celsius Temperature Scale Display Capability.

**INTERIOR ARRANGEMENTS**

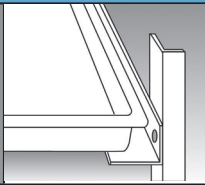
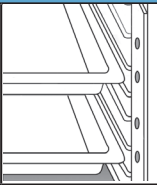
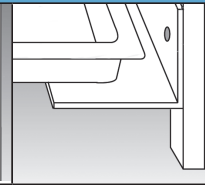
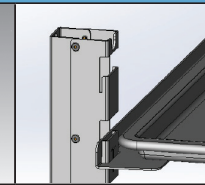
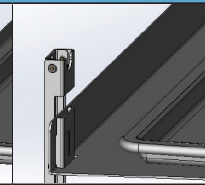
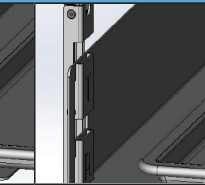
Standard interior arrangements include three (3) epoxy coated steel wire shelves, mounted on shelf pins, installed at the factory. Recommended load limit per shelf should not exceed 225 lbs.

**DOMESTIC WARRANTY**

Both a six year parts and labor warranty and an additional one year compressor parts warranty (for a total of seven on self-contained models) are provided standard.

When ordering please specify: Voltage, Hinging, and Options.

Equipped with one NEMA 5-15P Plug 

OPTIONAL ACCESSORY TRAYSLIDE VERSATILITY CHART						
TRAYSLIDE DRAWINGS						
TRAYSLIDE OFFERING	#1 (1) 18" x26" or (2) 14"x18"	#4 (Rod Type) (1) 18" x26"	Universal (1) 18" x26" or (2) 14"x18" or (2) 12"x20"	#1 EZ-Change (1) 18" x26" or (2) 14"x18"	Universal EZ-Change (1) 18" x26" or (2) 14"x18" or (2) 12"x20"	HD Universal EZ-Change (1) 18" x26" or (2) 14"x18" or (2) 12"x20"
SPACING CAPACITY DOOR SIZE	2" 28 Pairs Full Door 3" 19 Pairs Full Door 4" 14 Pairs Full Door 5" 11 Pairs Full Door	1 1/2" 38 Pairs Full Door (2 pair)	4" 14 Pairs Full Door 4" 14 Pairs Full Door 5" 11 Pairs Full Door 6" 09 Pairs Full Door	2" 26 Pairs Full Door 4" 13 Pairs Full Door	2 1/4" 22 Pairs Full Door 4 1/2" 11 Pairs Full Door	4 1/2" 11 Pairs Full Door 9" 05 Pairs Full Door

CONTINUED PRODUCT DEVELOPMENT MAY NECESSITATE SPECIFICATION CHANGES WITHOUT NOTICE.