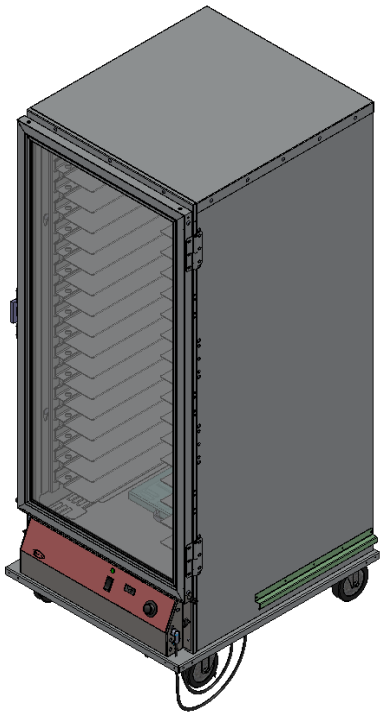




# Proofing and Holding Cabinet Insulated

*Innovative Foodservice Equipment Custom Designed For Performance, Service, and Value.*

Quality Proofing Cabinets  
for over **40** years



Model PHC70-32INS-A

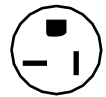


INSULATED  
FULL SIZE MODEL

PHC70-32INS-A

Standard Features:

- All aluminum construction
- Insulated top, sides and back
- Extruded pan supports accept a variety of pans and screens
- Removable heating module with separate controls for heat and humidity
- Maintains uniform temperature and humidity throughout cabinet
- "Cast-in" humidity system prevents element burnout from water spills and potential injury from accidental contact with exposed heating element
- Temperature adjustable from 60°F (15.6°C) to 180°F (82.2°C)
- Self-draining feature collects excess moisture into a standard bun pan (not included) below the base of the cabinet
- Completely removable interior components for quick and easy cleaning
- Heavy-duty plate-type casters with 5" hard neoprene wheels, front two with brakes
- 120V, 20A, 1PH service

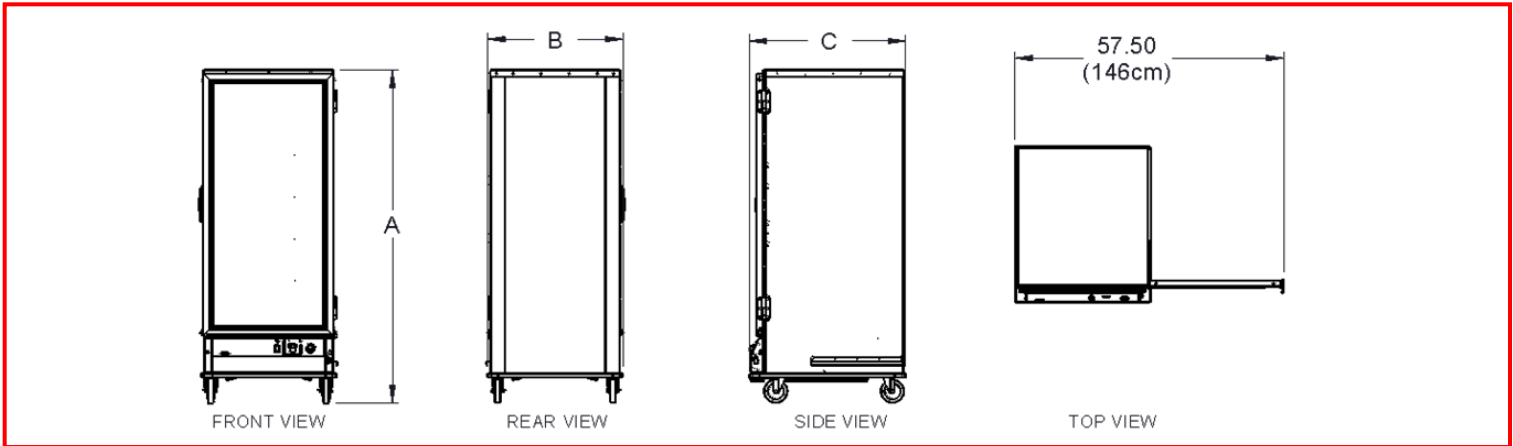


NEMA 5-20



# Proofing and Holding Cabinet Insulated

Item No. \_\_\_\_\_  
 Approval: \_\_\_\_\_  
 Date: \_\_\_\_\_



| BEVLES<br>MODEL NO. | CAPACITY |       |        | DIM A (H) |     | DIM B (W) |    | DIM C (D) |    | INSIDE HGT |     | SHIP WT. |     | ACTUAL WT. |     |
|---------------------|----------|-------|--------|-----------|-----|-----------|----|-----------|----|------------|-----|----------|-----|------------|-----|
|                     | 18x26    | 12x20 | *SPC'G | IN        | CM  | IN        | CM | IN        | CM | IN         | CM  | LBS      | KGS | LBS        | KGS |
| PHC70-32INS-A       | 16       | 32    | 3      | 71.50     | 182 | 29.00     | 74 | 33.50     | 85 | 55.00      | 140 | 295      | 133 | 245        | 111 |

\* Adjustable on 1.50" centers \*\* Also accommodates 19" x 19" and 23" x 23" screens

| ELECTRICAL | VOLTAGE | WATTS | AMPS    | ELECTRIC SERVICE      | PHASE | HERTZ | CLEARANCES             |
|------------|---------|-------|---------|-----------------------|-------|-------|------------------------|
| STANDARD   | 120     | 2000  | 16.7    | 20A Dedicated Circuit | 1     | 60    | ZERO CLEARANCE CABINET |
| OPTIONAL   | 208-230 | 2000  | 9.7/8.7 | 15A Dedicated Circuit | 1     | 50/60 | ZERO CLEARANCE CABINET |

**CABINET:**

- Body: .063 Formed aluminum
- 1.50" Thick insulation Top, back, and sides
- Door: Clear Lexan® with an extruded aluminum frame
- Door Latch and Hinges: Positive action door latch with heavy-duty stainless steel hinges
- Door Gasket: Closed cell foam
- Base: .125 Formed aluminum
- Rear (Air Duct) Panel: .063 Formed aluminum

**PAN SUPPORTS:**

- Pan Supports: Aluminum pan supports adjustable on 1.50" centers

**HEATING MODULE & CONTROLS:**

- Bottom mounted heating unit with a one (1) piece modular drop-in design blower assembly, easily removable for maintenance and cleaning
- Air heating element rated at 1600watts
- Humidity heating element rated at 400 watts
- 5 quart (4.7 liter) cast water reservoir
- Lexan® water reservoir cover
- Easy to operate controls feature digital thermostat, variable humidity control and LED display
- All controls are visible and operable from exterior of cabinet

**ELECTRICAL:**

- 20 Amp Switch, and pilot light:
- Cord and Plug: 8' cord with 20A molded plug (NEMA 5-20P); 208/230 volt models provided with cord only

**CASTERS:**

- Heavy-duty plate type casters, with 5" hard neoprene wheels; all swivel, with wheel brakes on front two casters

**OPTIONS AND ACCESSORIES**

- Door hinging
- Solid doors
- Dutch doors (2)
- Corner bumpers of gray non-marking vinyl (set of 4)
- Perimeter bumper of gray non-marking vinyl
- Additional extruded universal pan supports
- 6" stainless steel legs with adjustable feet for stationary floor installation\*
- 5" casters with hard neoprene or polyurethane wheels
- 18" x 26" chrome electroplated wire racks

\* Note: Modifications involving casters or legs may affect the height of the equipment. Specifications subject to change without notice

**BEVLES COMPANY, INC.**

1525 East Lake Road, Erie, PA 16511 • Toll Free: (800) 840-9577 • Fax: (800) 548-9392 • www.bevles.com • sales@bevles.com