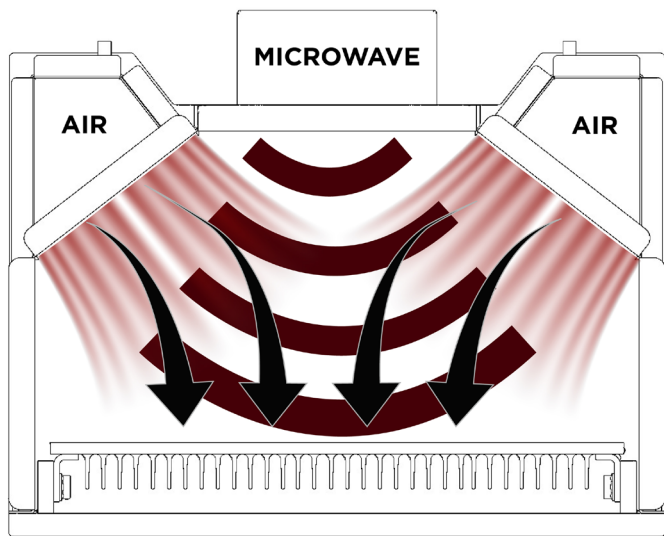




MiSA™-a12

### Air + Microwave = Improved Rapid Cook



**VENTLESS OPERATION DETAILS<sup>†</sup>**

- UL (KNLZ) listed for ventless operation
- EPA 202 test: Qty (241) 12" pepperoni pizzas, 525°F, 8 hrs
  - Results: 1.62 mg/m<sup>3</sup>
  - Ventless Requirement: < 5.00 mg/m<sup>3</sup>
- Internal catalytic filtration to limit smoke, grease, and odor emissions

### ASK ABOUT OUR ANTI-MICROBIAL POWDER COAT STANDARD FOR ALL AVAILABLE COLORS



Project \_\_\_\_\_

Item No. \_\_\_\_\_

Quantity \_\_\_\_\_

# MiSA™ -a12 Oven

## EXTERIOR CONSTRUCTION

- 430 stainless steel exterior with anti-microbial powder coated side panels
- Cool-to-touch exterior, all surfaces below 50°C
- Category leading whisper quiet operation at 65dB
- Attractive ergonomic brushed 316 stainless door handle
- Counter-mount standard or use with 4-inch adjustable legs (included)
- Full color 7-inch touchscreen display

## INTERIOR CONSTRUCTION

- Fully welded and insulated 304 stainless steel cook chamber
- Easy-to-clean non-stick (PTFE) liner on most surfaces
- Removable Artisanal cook plate for even browning (patent pending)
- Extra-large 12.9" x 13.6" usable cavity footprint

## STANDARD FEATURES

- Simple intuitive touch controls can store 1000+ recipes with dozens of standard icons and full color product images
- Industry leading online menu & recipe software allows for easy menu creation and management via USB
- Self-diagnostics for monitoring oven components and performance
- Smart Voltage Sensor Technology\* manages variances in 208 & 240V operations
- High visibility countdown timer
- Top launched microwave system with stirrer to ensure even distribution
- Integral recirculating catalytic converter for UL listed ventless operation
- External easy-access air filtration
- Stackable (stacking stand required)
- 6ft cord and plug
- 1 year Parts and Labor Warranty
- Productivity: [www.ovationovens.com/pizza-calculator-yield-per-hour](http://www.ovationovens.com/pizza-calculator-yield-per-hour)

## STANDARD OPTIONS & ACCESSORIES

- Includes (1) spatula paddle and (1) non-stick warming tray standard
- Black Licorice powder coat color - select any of (10) alternate colors (below) at no additional charge
- Dozens of other accessory options available - contact factory

## CERTIFICATIONS



This product conforms to the ventilation recommendations set forth by NFPA96 using EPA202 test method.

\* Smart Voltage Sensor Technology does not compensate for lack of or over voltage situations. It is the responsibility of the owner to supply voltage to the unit according to the product specifications.

<sup>†</sup> Ventless certification is for all food items except for foods classified as "fatty raw proteins." Such foods include bone-in, skin-on chicken, raw hamburger meat, raw bacon, raw sausage, steaks, etc. If cooking these types of foods, consult local HVAC codes and authorities to ensure compliance with ventilation requirements. Ultimate ventless allowance is dependent upon AHJ approval, as some jurisdictions may not recognize the UL certification or application. If you have questions regarding ventless certifications or local codes, please email [connect@ovationovens.com](mailto:connect@ovationovens.com).



OventionOvens.com | 855.298.6836 | [connect@ovationovens.com](mailto:connect@ovationovens.com)  
Search "Ovention" to download our app.

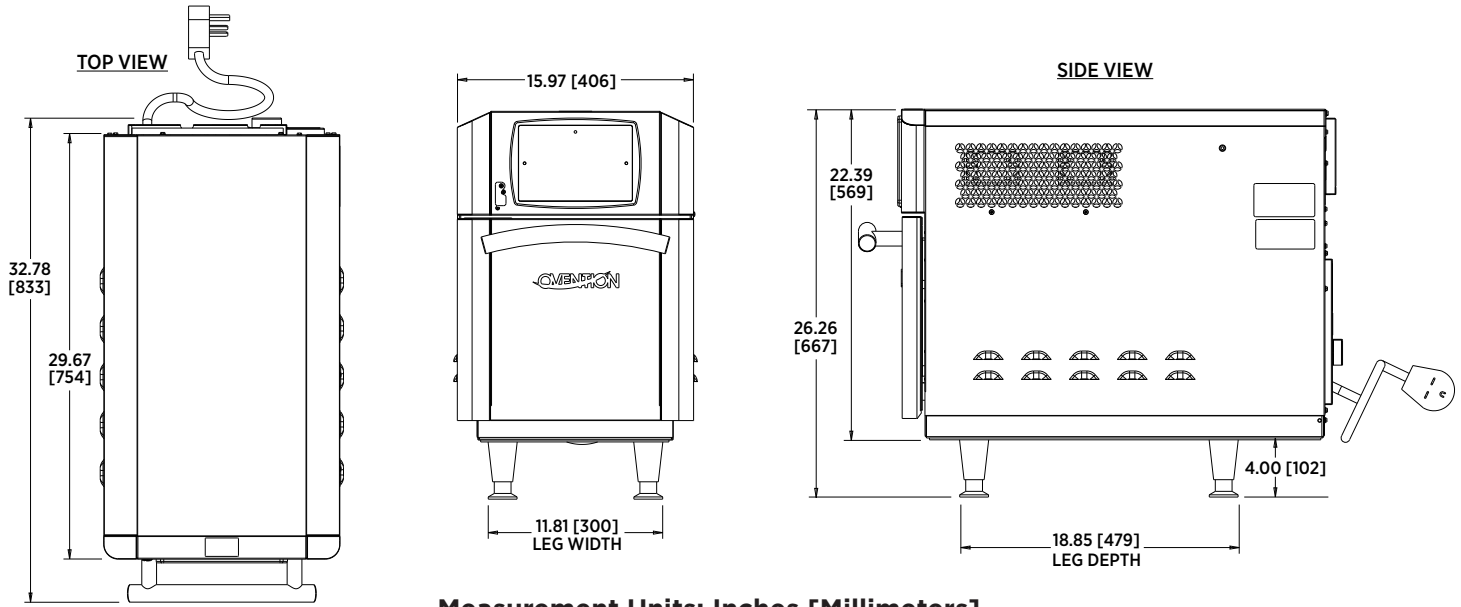


DOC# MiSA™ • Revision 2/2022

Specifications are subject to change without notice and are not intended for installation purposes.



# MiSA™-a12 Oven



Measurement Units: Inches [Millimeters]

DIMENSIONS		
HEIGHT with optional 4" legs	26.26"	667 mm
WIDTH	15.97"	406 mm
DEPTH	32.78"	833 mm
WEIGHT	205 lb.	93 kg
CAVITY DIMENSIONS		
HEIGHT	5.4"	137 mm
WIDTH	12.9"	327 mm
DEPTH	13.6"	344 mm
VOLUME	0.55ft <sup>3</sup>	0.015m <sup>3</sup>
MINIMUM CLEARANCE		
LEFT/RIGHT/BACK	0"	0 mm
SHIPPING INFORMATION		
CUBE (LxWxH)	39" x 31" x 35"	990 mm x 787 mm x 889 mm
SHIPPING WT.	214 lb.	97 kg
FREIGHT CLASS	110	
POINT OF ORIGIN	Sturgeon Bay, WI, USA	

ELECTRICAL SPECIFICATIONS		
US/CANADA	208-240 VAC, 60 Hz, 1-ph, 19/24 Amps, NEMA 6-30P	Max Input: 5.2kW Microwave Max: 2kW Heater Max: 5.2kW



6-30P

## SHORT FORM SPECIFICATIONS

Provide Ovention MiSA™-a12 Microwave and Convection Oven, electric, certified ventless, 13.6" x 5.4" cavity, color touch screen display, USB menu load capability, removable artisanal cook plate with heat fins, 1/3HP variable-speed motor, field replaceable catalytic filtration, removable filters, stainless steel door, 304 stainless steel interior, 430 stainless steel exterior, where applicable: powder coat must be anti-microbial, 4" optional legs, 2060 watt microwave power, 5200 watt convection power, 208-240 VAC, 60 Hz, 1-ph, 24 Amps, NEMA 6-30-P, UL Listed, UL EPH Classified, Made in USA.

Due to periodic changes in designs, methods, procedures, policies and regulations, the specifications contained in this sheet are subject to change without notice. While Ovention® exercises good faith efforts to provide information that is accurate, we are not responsible for errors or omissions in information provided or conclusions reached as a result of using the specifications. By using the information provided, the user assumes all risks in connection with such use.



OventionOvens.com | 855.298.6836 | connect@ventionovens.com

Search "Ovention" to download our app.

