

Blend

Refrigerated Self-Service Center Case

Structural Concepts®

DELIVERING FRESH. ALWAYS.™

- **NM4855RSSV** 48"L x 34-3/8"D x 55-5/8"H
- **NM6055RSSV** 60"L x 34-3/8"D x 55-5/8"H
- **NM7255RSSV** 72"L x 34-3/8"D x 55-5/8"H

Included

- Adjustable, locking casters
- Digital fahrenheit thermometer
- Integrated average product temperature of 40°F or less
- LED top & shelf lights
- One piece formed ABS plastic tub
- One year parts & labor warranty

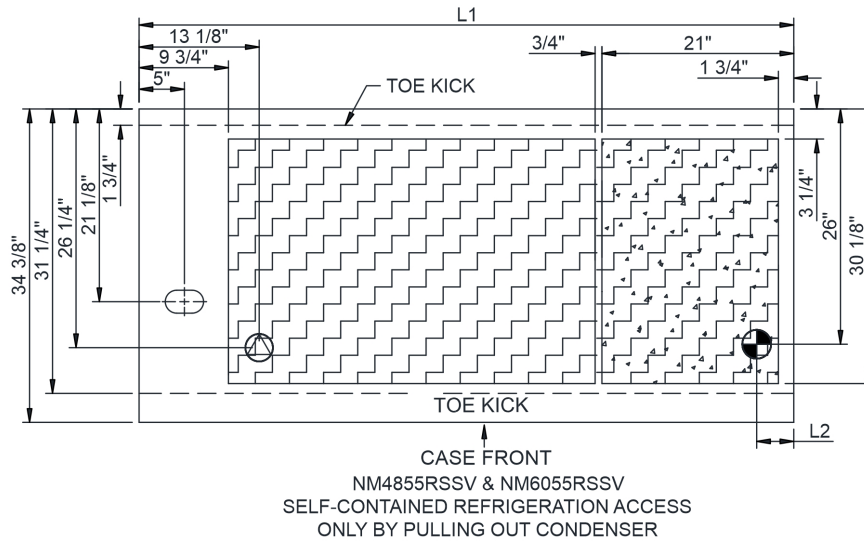


NM4855RSSV

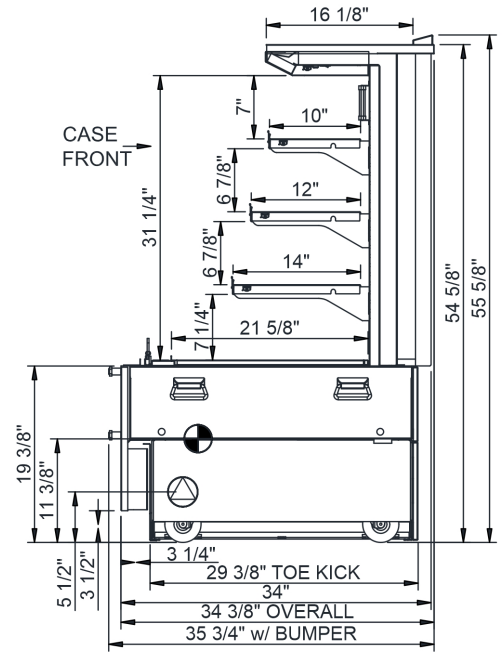
| Specify | Standard Features | Additional Options |
|--------------------------------|--|---|
| INTERIOR COLOR | • Powder coated Silversan Black | • Stainless steel |
| LOWER CLADDING COLOR | • Powder coated (stock colors, specify RAL#) | • All other laminates • Laminate - Standard colors • Stainless steel |
| LOWER FRONT PANEL COLOR | • Powder coated Silversan Black | • Stainless steel |
| UPPER EXTERIOR COLOR | • Powder coated (stock colors, specify RAL#) | • Stainless steel |
| BUMPER | • 1" Boston bumper (specify color) | • 1" Stainless steel plate rail bumper • None |
| END PANELS | • None (specify per line-up) | • Full w/stainless steel mirror interior |
| PRICE TAG MOLDING | • None | • 1" Price tag molding (black or silver) |
| SHELVING | • (3) Levels solid, adjustable shelving | |
| LIGHTS | • LED 3500K w/ frosted lens | • LED 4000K w/ frosted lens |
| ELECTRICAL CONNECTION | • 6' Straight blade power cord (self-cont.) | • Electrical leads (remote) |
| REFRIGERATION | • Breeze~E (Type-II) self-contained refrigeration (front access) | • Remote DX refrigeration • Remote DX w/thermostat, solenoid & TXV |
| SENSOR | • None | • CPC discharge air sensor (remote) |
| ACCESSORIES | | • Clean Sweep® coil cleaner (self-cont.) • Clear acrylic security cover, removable, locking • Night curtain, retractable, non-locking |

| | | |
|--|---|----------------------------------|
| Intended Environment: Type II - Designed to operate in ambient conditions of 80°F and 60% relative humidity unless noted otherwise in system information below. | | |
| Zone | Intended Product To Be Displayed | Warmest Avg Prod Temp ° F |
| 1 | Packaged refrigerated products | 40 |

PLAN VIEW



SIDE VIEW



NOTE: ALL DIMENSIONS APPROXIMATE

- ELECTRICAL JUNCTION BOX (SUPPLIED WITH 6" LEADS OR POWER CORD).
- LOCATION OF DRAIN TUBE FOR REMOTE REF. ONLY (SUPPLIED WITH 3/4" OR 1 1/2" PVC TUBE).

- REFRIGERATION LINE CONNECTION.
- REMOTE FLOOR SINK & UTILITIES ACCESS AREA.

- SELF-CONTAINED CASE SERVICE ACCESS AREA.
- DRY CASE SERVICE ACCESS AREA.

| Model Technical Specifications | | | | | | | | | | | | | | | | |
|--------------------------------|-----|-------|------|------------------------|------------|---------|------|----------|-------|-------|-----------|-----------------|-----------------|-----------------|--------|-------|
| Model | L" | L1" | L2" | System Circuit Volts | | Phs | Freq | Amps *** | Watts | Wires | NEMA Plug | SST | Conv. Rack BTUH | Para. Rack BTUH | Est Wt | |
| NM4855RSSV | N/A | 48.00 | 4.13 | Remote (DX) | Circuit #1 | 110-120 | 1 | 60 | 1.56 | 82 | 2+G | Leads Single | 20.00 | 4838 | 4480 | 950 |
| | | | | Self-Contained (R513A) | Circuit #1 | 208-240 | 1 | 60 | 11.11 | 1,634 | 2+G | 6-15P or L6-15P | N/A | N/A | N/A | |
| NM6055RSSV | N/A | 60.00 | 4.13 | Remote (DX) | Circuit #1 | 110-120 | 1 | 60 | 1.60 | 92 | 2+G | Leads Single | 20.00 | 6026 | 5580 | 1,000 |
| | | | | Self-Contained (R513A) | Circuit #1 | 208-240 | 1 | 60 | 12.00 | 1,896 | 2+G | 6-15P or L6-15P | N/A | N/A | N/A | |
| NM7255RSSV | N/A | 72.00 | 4.13 | Remote (DX) | Circuit #1 | 110-120 | 1 | 60 | 1.64 | 105 | 2+G | Leads Single | 20.00 | 7193 | 6660 | 1,100 |
| | | | | Self-Contained (R513A) | Circuit #1 | 208-240 | 1 | 60 | 12.00 | 1,909 | 2+G | 6-15P or L6-15P | N/A | N/A | N/A | |

*** Does not include electric defrost on freezer models.

Regulatory Approvals:

All Models
 Accordance with AHRI Std 1200
 ETL Listed to UL 471
 ETL Listed to CAN/CSA 22.2 No. 120
 ETL Sanitation to NSF/ANSI 7



In Accordance with
AHRI Std 1200

DOE 2017
 Energy Efficiency
 Compliant

Important Notes:

- 1) ELECTRICAL NOTE: If GFCI is required, a GFCI breaker MUST be used in lieu of a GFCI receptacle.
- 2) Remove tool free front panel to fit through 36" door.
- 3) Back side of counter must be open or vented the full length of the unit to allow proper ventilation for the refrigeration system.
- 4) Glass warranty only applicable to first point of delivery.

⚠ WARNING: This product can expose you to chemicals, including Urethane (Ethyl Carbamate), which are known to the State of California to cause cancer and birth defects or other reproductive harm. For more information go to www.P65Warnings.ca.gov.