

- **HMO3936R** 38-3/4"L x 34-1/8"D x 37-3/4"H
- **HMO5136R** 50-3/4"L x 34-1/8"D x 37-3/4"H
- **HMO7536R** 75-1/8"L x 34-1/8"D x 37-3/4"H

Included

- 1" Price tag molding (matches interior color)
- Breeze self-contained refrigeration
- Clear glass shelves, lighted (LED 3500K)
- Condensate pan (self-contained refrig. only)
- Flat front panel
- Full end panel w/mirror interior
- Integrated average product temperature of 40°F or less
- LED 3500K top & shelf lights
- One year parts & labor; 5 year compressor warranty
- Open reach-in front
- Upper & lower rear areas white



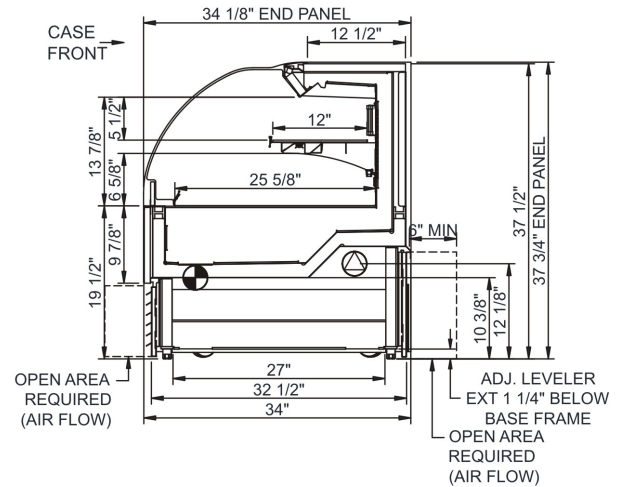
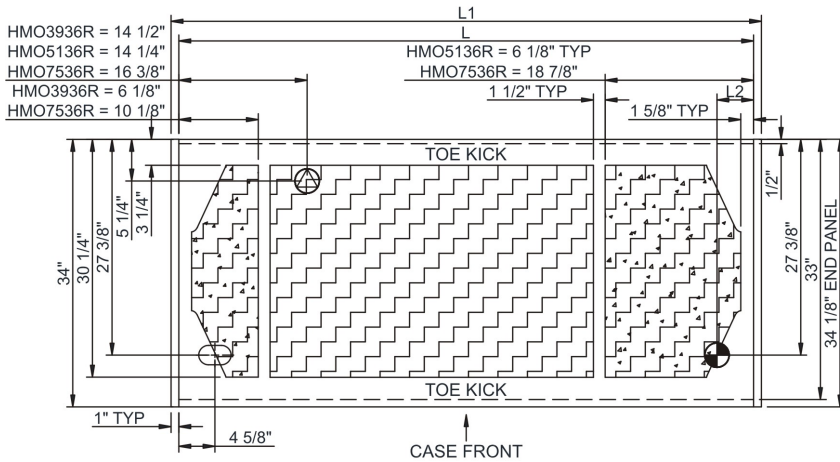
HMO5136R

Specify	Standard Features	Additional Options
EXTERIOR COLOR	• Laminate (stock colors)	• Laminate (non-stock colors) • Stainless steel
INTERIOR COLOR	• Powder coated Silversan Black	• Powder coated Designer White • Stainless steel
REAR EXTERIOR COLOR	• Powder coated Designer White	• Powder coated Silversan Black • Stainless steel (must choose stainless exterior)
BASE SUPPORT	• Levelers	• 6"H legs (self-cont.) • Casters (self-cont.)
PRICE TAG MOLDING	• None	
REAR DOORS	• None (solid back panel)	• Clear glass rear sliding doors w/o lock
ELECTRICAL CONNECTION	• 6' Straight blade power cord (self-cont.)	• 6' Locking power cord (self-cont.) • Electrical leads (remote)
REFRIGERATION	• Breeze self-contained refrigeration	• Note: Remote doesn't incl Conds unit. Floor drain reqd. • Remote w/thermostat, solenoid & TXV
MISCELLANEOUS		• Rear door lock • Second year parts & labor warranty (excludes compressor)
ACCESSORIES		• 2"H Display steps • Clean Sweep® coil cleaner (self-cont.) • Night curtain, retractable, non-locking • Removable wire security cover, locking

Intended Environment: Type I - Designed to operate in ambient conditions of 75°F with 55% relative humidity unless noted otherwise in system information below.		
Zone	Intended Product To Be Displayed	Warmest Avg Prod Temp ° F
1	Packaged refrigerated products	40

PLAN VIEW

SIDE VIEW



NOTE: ALL DIMENSIONS APPROXIMATE

- ELECTRICAL JUNCTION BOX**
(SUPPLIED WITH 6" LEADS OR POWER CORD).
- REFRIGERATION LINE CONNECTION.**
- SELF-CONTAINED CASE SERVICE ACCESS AREA.**
- REMOTE FLOOR SINK & UTILITIES ACCESS AREA.**
- DRY CASE SERVICE ACCESS AREA.**
- LOCATION OF DRAIN TUBE FOR REMOTE REF. ONLY**
(SUPPLIED WITH 3/4" OR 1 1/2" PVC TUBE).

Model Technical Specifications																
Model	L"	L1"	L2"	System Circuit Volts		Phs	Freq	Amps ***	Watts	Wires	NEMA Plug	SST	Conv. Rack BTUH	Para. Rack BTUH	Est Wt	
HMO3936R	36.75	38.75	4.63	Remote (DX)	Circuit #1	110-120	1	60	1.15	95	2+G	Leads Multiple	24.00	2544	2356	650
				Self-Contained (R513A)	Circuit #1	110-120	1	60	14.10	1,064	2+G	5-20P or L5-20P	N/A	N/A	N/A	
HMO5136R	48.75	50.75	4.63	Remote (DX)	Circuit #1	110-120	1	60	1.57	146	2+G	Leads Multiple	20.00	2592	2400	750
				Self-Contained (R449A)	Circuit #1	110-120	1	60	16.00	1,472	2+G	5-20P or L5-20P	N/A	N/A	N/A	
HMO7536R	73.13	75.13	4.63	Remote (DX)	Circuit #1	110-120	1	60	2.23	210	2+G	Leads Multiple	20.00	3974	3680	950
				Self-Contained (R449A)	Circuit #1	208-240	1	60	11.98	1,935	2+G	6-20P or L6-20P	N/A	N/A	N/A	

*** Does not include electric defrost on freezer models.

Regulatory Approvals:

All Models
 Accordance with AHRI Std 1200
 ETL Listed to UL 471
 ETL Listed to CAN/CSA 22.2 No. 120
 ETL Sanitation to NSF/ANSI 7



Important Notes:

- 1) ELECTRICAL NOTE: If GFCI is required, a GFCI breaker MUST be used in lieu of a GFCI receptacle
- 2) 35" Minimum door entry clearance required (without shipping skid).
- 3) Units are supplied with levelers which must be adjusted during installation to ensure the unit is level and plumb.
- 4) Compressor air rear intake, front discharge. Toe kick cannot be blocked.

⚠ WARNING: This product can expose you to chemicals, including Urethane (Ethyl Carbamate), which are known to the State of California to cause cancer and birth defects or other reproductive harm. For more information go to www.P65Warnings.ca.gov.