



2 Door Under Counter Refrigerator ♦ NP2R-48UC



Standard Features

- ♦ Stainless steel interior and exterior
- ♦ Rounded corner design for easy cleanup
- ♦ Self closing hinged doors with 90 degree stay open feature
- ♦ Programmable electronic control system
- ♦ Adjustable, heavy duty PVC coated shelves
- ♦ Heavy-duty castor wheels

Technical Specifications

Product Classification	Refrigerator
Climate Class	N
Number of Doors	2
External Cabinet Material	430 Stainless Steel
Internal Cabinet Material	304 Stainless Steel
Type of Refrigeration Agent	R-290
Type of Temperature Control	Digital
Temperature Range °C	0°C to 5°C
Temperature Range °F	32°F to 41°F
Voltage / Frequency	115V / 60Hz
Amp	2.7
Compressor HP	1/4+
Type of Insulation	2.5-Inch Polyurethane Foam
Door Handle	Full Length

Certified Safety Standard

- ♦ ETL Listed
- ♦ ETL Sanitation Listed



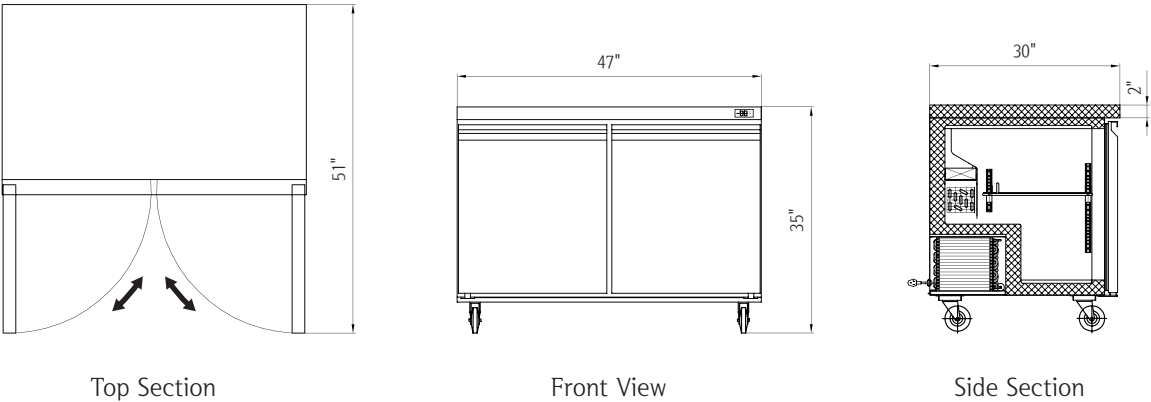
Warranty Information

- ♦ 5 Years Compressor
- ♦ 3 Year Parts & Labor





2 Door Under Counter Refrigerator ♦ NP2R-48UC



Plug Type: (NEMA) 5-15P

Capacity

Capacity 12 cu. ft.

Dimensions

Internal Cabinet Width 43 in
 Internal Cabinet Depth 23 in
 Internal Cabinet Height 24 in
 External Width 47 in
 External Depth 30 in
 External Height 35 in
 Shipping Dimensions (W x D x H) 50 x 32 x 39 in

Weight

Gross Weight 304 lbs.

Accessories

Frost Free Yes
 Adjustable Shelves 2
 Fixed Shelves No
 Internal Light No
 Internal Light Switch No
 External Light Switch No
 Self Closing Door / Lid Yes
 Door Holder for Loading Yes
 Door / Lid Lock No
 Reversible (Left) Door No
 Adjustable Feet Optional
 Adjustable Thermostat Yes