



Sleek Shields™

SELF-SERVICE DOUBLE SIDED GLASS FOOD SHIELDS

For Advance Tabco Hot/Cold Tables

Protected By: Patent No. US 9,010,883 B2

Item #: _____ Qty #: _____
 Model #: _____
 Project #: _____



FEATURING ADVANCE TABCO'S REVOLUTIONARY
CHAMBER LOCK™ ROTATION SYSTEM
Front Glass Locks Into Place At 15° Intervals



NSGD-26-4WELL Shown

Includes TA-47
Mounting Brackets
For In-Field Installation

FEATURES:

- Front glass locks in place at 15° intervals.
- Attractive, low profile design & easy to clean.
- 1" Stainless steel posts.
- Chamber lock™ is mounted to post in a fixed position.
- Includes two 16-3/8" high side panels.
- 1/4" Thick heat-tempered front & side glass.
- (3/8" Thick heat-tempered front glass for 4 well unit).
- Includes 22 3/4" wide stainless steel shelving.
- Shelves have square edges on all four sides.
- Ships Set Up.

MATERIAL:

- 1/4" Thick Heat-Tempered Front & Side Glass.
- (3/8" Thick Heat-Tempered Front Glass For 4 Well Unit).
- Shelf - 18 Ga., Type 430 Stainless Steel with 1" Posts - Stainless Steel.
- Chamber Lock™ - Anodized Aluminum.
- TA-47 Mounting Brackets
- Finish - Aluminum components manufactured with a standard Satin Clear Finish. Other colors available for Aluminum Components Only. Please consult factory for additional colors.

22 3/4" Wide Stainless Steel Shelf					
Model #	O.A. Size L x W x H	(A) Length	Description	Approx. Wt.	Approx. Cubes
NSGD-26-2WELL	33 11/16" x 32 1/4" x 18 3/4"	31 13/16"	Fits 2-Well Unit	285 lbs.	20
NSGD-26-3WELL	49" x 32 1/4" x 18 3/4"	47 1/8"	Fits 3-Well Unit	340 lbs.	27
NSGD-26-4WELL*	64 5/16" x 32 1/4" x 18 3/4"	62 7/16"	Fits 4-Well Unit	425 lbs.	36
NSGD-26-5WELL**	79 5/8" x 32 1/4" x 18 3/4"	77 3/4"	Fits 5-Well Unit	515 lbs.	44

*3/8" Thick Heat-Tempered Glass Required For Front Glass **Requires a Center Leg (Factory Print Included)

NOTE: Due to mounting requirements, food shields extend 15/16" beyond the end of the hot or cold food table on each end. Units set side by side must allow for this additional space.



Meets Latest
NSF Standards



Customer Service Available To Assist You **1-800-645-3166** 8:30 am - 7:00 pm E.S.T.

For Orders & Customer Service:
Email: customer@advancetabco.com or Fax: 631-242-6900

For Smart Fabrication™ Quotes:
Email: smartfab@advancetabco.com or Fax: 631-586-2933

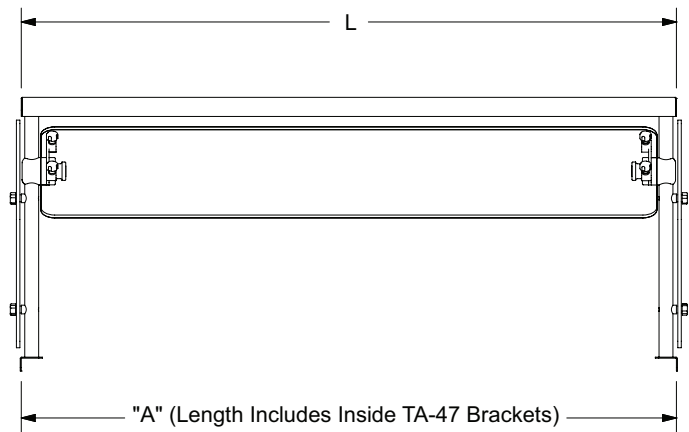
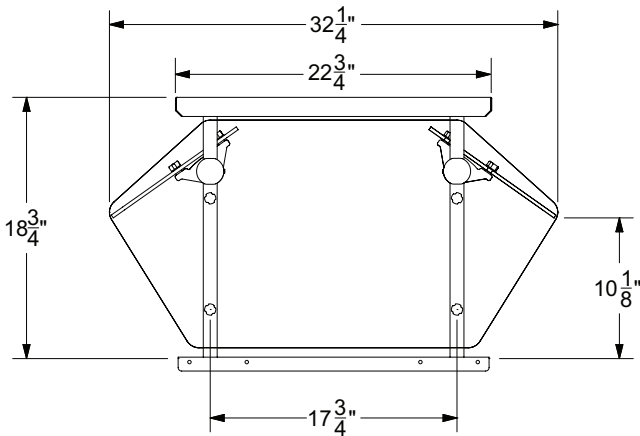
DIMENSIONS and SPECIFICATIONS

TOL ± .125"

ALL DIMENSIONS ARE TYPICAL

Maximum Front Glass Opening is 13" From Table To Bottom Of Glass. NSF Requires Side Glass To Be 18" Wide Minimum.

**NOTE: Due to mounting requirements, food shields extend 15/16" beyond the end of the hot or cold food table on each end.
Units set side by side must allow for this additional space.**



Single Post w/ Cantilever Bracket Available

- Can not replace standard end posts/brackets
- May be used to eliminate a post located in the middle of the unit

SG-C

