

Flavor Select 30



Accessories and Options

ADA Kit

Splash Guards

Extended Splash Plate (No drip tray)

Flavor Select 30" only

LCD Digital Merchandiser

Certified by these agencies:



CUSTOMER SERVICE

Should you require more information about our products, please do not hesitate to contact our customer service team at custserv@lancerworldwide.com.

The Flavor Select (FS) offers up to 200 flavor combinations featuring state-of-the-art cold carbonation technology the FS provides a consistently pleasing drink experience. Enhanced ice dispensing capability allows customers to dispense cube or cubelet ice, on demand.

Features

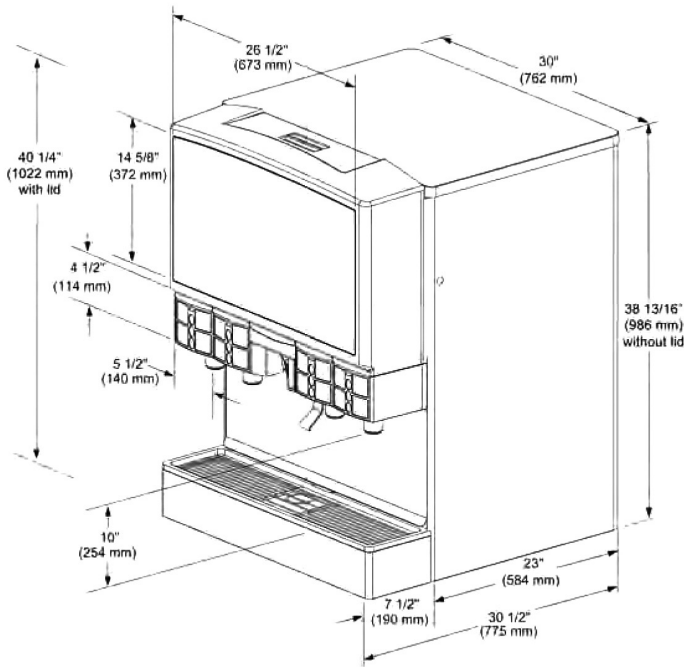
- Cold carbonation
- “Lite Touch” draws attention to your more profitable fountain section
- “Air Mix” nozzles blend syrup and water in midair for consistent drink delivery
- Illuminated, easily interchangeable merchandiser
- Large capacity, removable drip tray & cup rest
- Three ice bin fill options: ice maker production, manual loading, or both
- Cubelet ice capable dispense is available; specifications on request
- Dosing or blending available for bonus flavors
- Field configurable
- Front connection for products
- Lancer™ Flow Control Valves (LFCV)
- Key lock switch



WARRANTY

For warranty specifics by product, contact your Lancer™ Sales Representative. Equipment design and/or specifications are subject to change without notice.

Flavor Select 30



Distinctive Design

- **FS22** - eight brands
(over 50 flavor possibilities)
- Add up to six bonus flavors
- **FS30** - up to 16 brands
(over 100 flavor possibilities)
- Add up to 12 bonus flavors
- **FS44** - up to 16 brands
(over 100 flavor possibilities)
- Add up to 12 bonus flavors
- two ice chutes
- **FS60** - up to 32 brands
(over 200 flavor possibilities)
- Add up to 24 bonus flavors
- two ice chutes

Dimensions

- Flavor Select 22 - 40.25" H x 22" W x 30.5" D
(1022 mm H x 558 mm W x 775 mm D)
- Flavor Select 30 - 40.25" H x 30" W x 30.5" D
(1022 mm H x 762 mm W x 775 mm D)
- Flavor Select 44 - 40.25" H x 44.875" W x 30.5" D
(1022 mm H x 1140 mm W x 775 mm D)
- Flavor Select 60 - 40.25" H x 60.75" W x 30.5" D
(1022 mm H x 1543 mm W x 775 mm D)

Weight

- Flavor Select 22 - Without Ice: 280 lbs (127kg) - With Ice: 480 lbs (218kg)
Shipping: 310 lbs (141kg)
- Flavor Select 30 - Without ice: 320 lbs (145 kg) - With ice: 610 lbs (281 kg)
Shipping: 356 lbs (161 kg)
- Flavor Select 44 - Without ice: 620 lbs (282 kg) - With ice: 1020 lbs (464 kg)
Shipping: 710 lbs (323 kg)
- Flavor Select 60 - Without Ice: 640 lbs (290 kg) - With Ice: 1100 lbs (500 kg)
Shipping: 712 lbs (322 kg)

Electrical

- Flavor Select 22 - 115V / 60Hz, 7Amps
230V / 50Hz, 3.5Amps
- Flavor Select 30 - 115V / 60Hz, 7Amps
- Flavor Select 44 - 115V / 60Hz, 7Amps (x2)
- Flavor Select 60 - 115V / 60Hz, 7Amps (x2)

Ice Bank Weight

- Flavor Select 22 - Capacity: 200 lbs (91kg)
Dispensable: 170 lbs (77kg)
- Flavor Select 30 - Capacity: 290 lbs (132 kg)
Dispensable: 215 lbs (98 kg)
- Flavor Select 44 - Capacity: 400 lbs (181 kg)
Dispensable: 340 lbs (154 kg)
Note: This dispenser contains two independent ice bins that utilize two 22" ice makers and two 22" ice maker adapters. These bins can also be manually filled.
- Flavor Select 60 - Capacity: 580 lbs (264 kg)
Dispensable: 430 lbs (195 kg)
Note: This dispenser contains two independent ice bins that utilize two 30" ice makers and two 30" ice maker adapters. These bins can also be manually filled.

Water

- Flavor Select 22 - Filtered water 50 psi min
- Flavor Select 30 - Filtered water 50 psi min
- Flavor Select 44 - Filtered water 50 psi min
- Flavor Select 60 - Filtered water 50 psi min
Note: water booster recommended

Fittings for all units

- Syrup inlets: 3/8" (9.5 mm) male barb
- Soda inlets: 3/8" (9.5 mm) male barb

For more information visit lancerworldwide.com or call 1-800-729-1500

6655 Lancer Boulevard • San Antonio, TX 78219 • 210-310-7000 • Fax: 210-310-7250 • © 2021 Lancer™ Worldwide • FS Series 11/21

"Lancer" and "Lancer Worldwide" are trademarks of Lancer Corp. © 2021 by Lancer™, all rights reserved.