



# BB Series

Back Bar Refrigerator with Swing Door



BB Series  
04/22/22  
Item # 13536

- BB59
- BB80
- BB59-S\*
- BB80-S\*
- BB69
- BB95
- BB69-S\*
- BB95-S\*



BB59



BB59-S\*



BB69(-S\*)



BB80(-S\*)



BB95(-S\*)

Item #: \_\_\_\_\_  
Project: \_\_\_\_\_  
Qty: \_\_\_\_\_  
AIA#: \_\_\_\_\_

## Features

- ▶ Engineered to maintain NSF-7 temperatures in 100°F ambient. (Certified to NSF-7 temperatures in 86°F ambient.)
- ▶ Heavy duty 18-gauge stainless steel top with fully welded corners
- ▶ Maximum product storage capacity with the ability to store tall boys three high per section

- Black vinyl coated exterior front, sides, and rear
- Doors come with a stainless steel interior liner are self-closing and include locks
- Stainless steel interior with LED lights
- Electronic controller with digital LED display (°F or °C)
- Includes (2) gray epoxy coated shelves per section with product stops
- Stainless steel shelf clips adjustable in 1/2" increments
- Front breathing, side mount refrigeration is easily accessible by sliding out front for cleaning and service
- Zero clearance requirements sides and rear
- Cabinets are designed to maintain interior temperatures between 32°F to 38°F
- Environmentally friendly R290 refrigerant

Model	Cabinet Dimensions W x D x H	Capacity (AHAM) cu ft	Capacity 12oz. cans	Door(s)	Shelves	1/2 Barrel(s)	HP	Amps	Voltage	NEMA Plug	Shipping Dimensions L x W x H	Shipping Weight (lbs.)
BB59(-S*)	59.5" x 29" x 36.88"	18.16 ft <sup>3</sup>	852	2	4	3	1/3	2.5	115	8 ft. 5-15P	62.5" x 31.25" x 42.75"	315 / 320 (-S)
BB69(-S*)	69.5" x 29" x 36.88"	21.80 ft <sup>3</sup>	1014	2	4	3	1/3	2.5	115	8 ft. 5-15P	72.5" x 31.25" x 42.75"	350 / 390 (-S)
BB80(-S*)	80" x 29" x 36.88"	28.74 ft <sup>3</sup>	1092	3	6	4	1/3	2.5	115	8 ft. 5-15P	72.5" x 31.25" x 42.75"	375 / 420 (-S)
BB95(-S*)	95.5" x 29" x 36.88"	32.53 ft <sup>3</sup>	1302	3	6	5	1/3	2.5	115	8 ft. 5-15P	98.5" x 31.25" x 42.75"	450 / 480 (-S)



## Options & Accessories

- \* (-S) Stainless steel exterior option available - made to order.
- HS-5609 - Low profile 4" casters & rails (4 casters & shims)
- HS-5610 - Low profile 4" casters & rails (6 casters & shims)
- HS-5515 - Bottle rail guide

## Warranty

- 3 Year Parts and labor
- 5 year Compressor

Hoshizaki reserves the right to change specifications without notice.

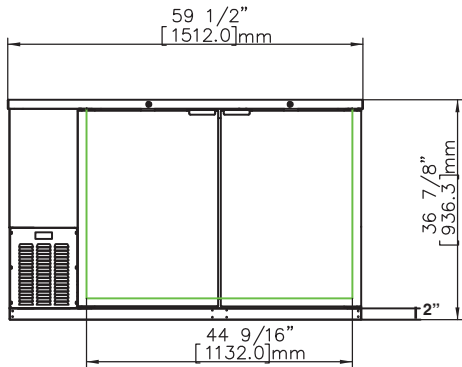


# BB Series

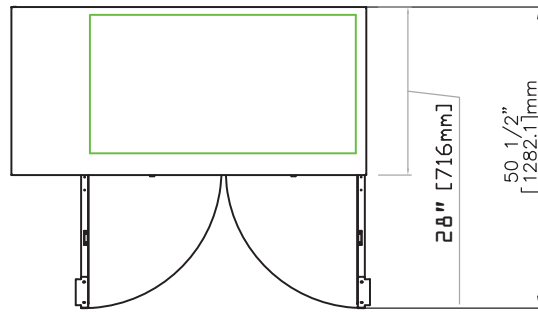
## Back Bar Refrigerator with Swing Door



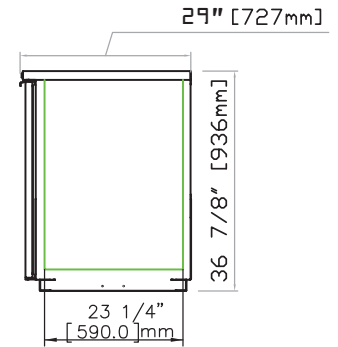
BB Series  
04/22/22  
Item # 13536



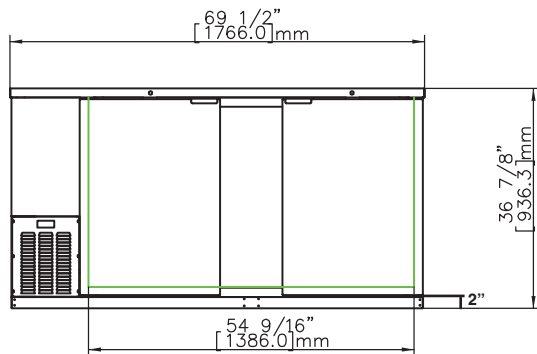
**BB59(-S) Front View**



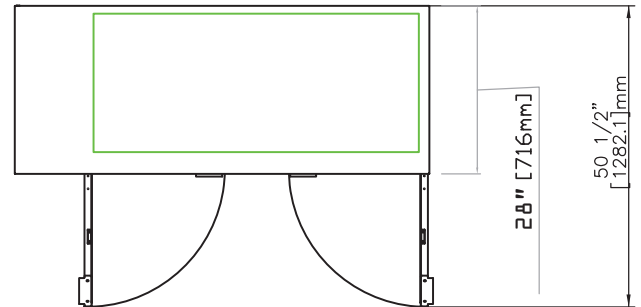
**BB59(-S) Plan View**



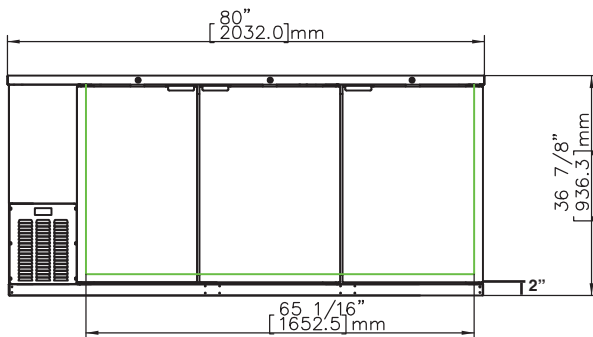
**All models Side View**



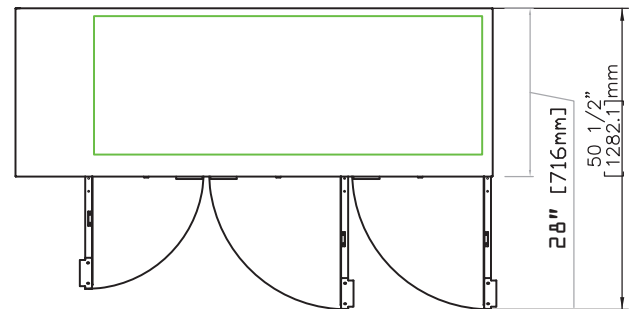
**BB69(-S) Front View**



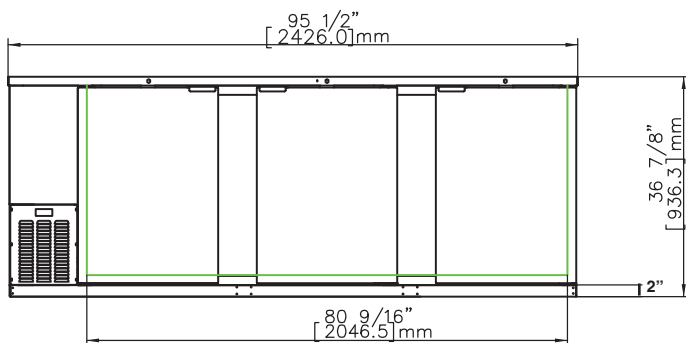
**BB69(-S) Plan View**



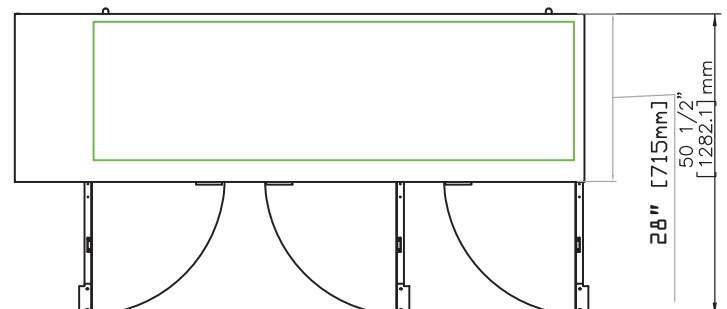
**BB80(-S) Front View**



**BB80(-S) Plan View**



**BB95(-S) Front View**



**BB95(-S) Plan View**