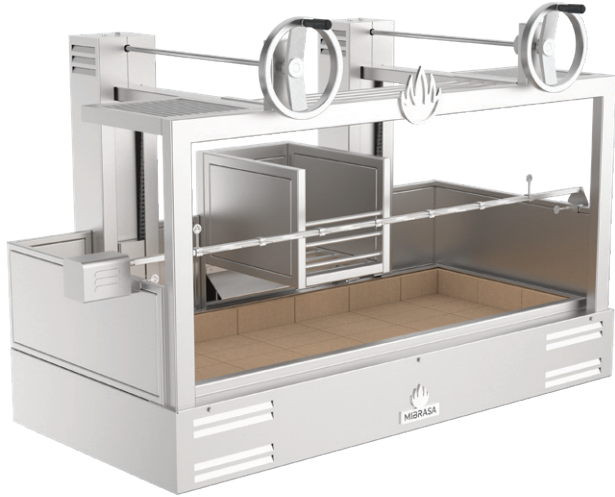




MIBRASA®

SPIT-ROAST GMB



The Mibrasa® Spit-roast optional add-on accessory allows you to apply rotisserie cooking techniques over charcoal or firewood in the Mibrasa® Parrilla models.

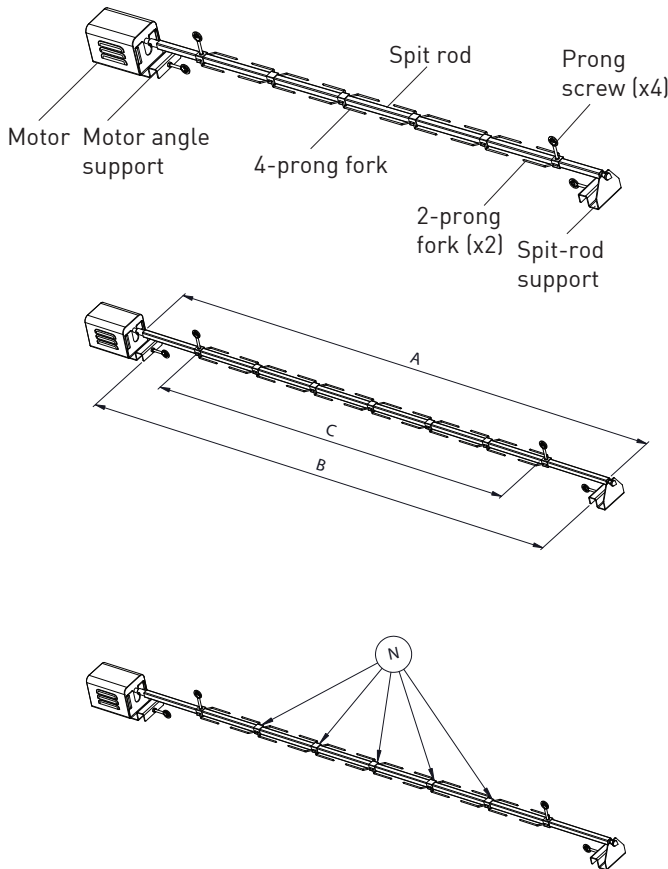
Mount the spit-roast on the Mibrasa protective structure for optimal height over the coals, while continuing to cook over the grill surfaces.

Add-on up to 2 spits at any one time on all GMB models except in the GMB-FIRE series, which has the capacity for one.

TECHNICAL INFORMATION

Motor	Voltage (V)	Frequency (Hz)	Power (W)	Plug type	Max. load (kg)
USA/ CAN	110-120	60	15	B	50-70

PARTS OF THE SPIT-ROAST



ENSEMBLE

GMB Model	Protective structure*	Spit-roast
GMB 100	EPGMB100	SPIED0100
GMB 130	EPGMB130	SPIED0130
GMB 160	EPGMB160	SPIED0160
GMB 160-FIRE	EPGMB160F	
GMB 200	EPGMB200	SPIED0200
GMB 200-3GR	EFGMB200-3GR	
GMB 200-FIRE	EFGMB200F/252	
GMB 252-3GR	EFGMB252-3GR	SPIED0252
GMB 252-FIRE	EFGMB200F/252	

*Protective structure is required to mount the Spit-roast

SPIT-ROAST DIMENSIONS

Ref.	Dimensions						
	A		B		C		N
	in	mm	in	mm	in	mm	unit
SPIED0100	44.9	1140	42.6	1083	31.6	803	3
SPIED0130	50.3	1278	48.1	1221	39.7	1008	4
SPIED0160	65.0	1650	62.7	1593	47.8	1215	5
SPIED0200	82.1	2085	79.8	2028	64.0	1625	7
SPIED0252	99.7	2533	97.5	2476	81.6	2073	9

Dimensions in inches and [mm]

Specifications and design are subject to change without notice.

