

Project name:	Date:
Location:	AIA #:
Manufacturer representative:	Item # / Quantity:

# DRYAGER™ UX 1550 PRO S

## WITH UX-LED SALT WALL SYSTEM

For up to 220 lbs of product\*



Professional refrigerated single section dry aging cabinet for commercial production of **dry-aged meats, charcuterie, fish** as well as for the production and storage of cheese and wine in foodservice, hospitality, retail and food processing industries. Equipped with SmartAging™ Technology for easy selection of product-specific dry-aging and curing programs. **Self-contained R600a refrigeration** (115V – 2A) maintains perfect microclimate with electronic temperature (32–86 °F) and humidity (40–90%) control for minimal product loss **without the requirement for water connection or drain**. Unique UX Airreg™ **UV sterilization system** maintains internal air quality and flow without UV exposure of the product. Integrated UX-LED Salt Wall System for an even more striking product presentation. Stainless steel, black or custom color exterior and antibacterial polystyrene interior with integral rack slides and stainless steel back cover. Cabinet designed for **built-in or free-standing application** for single section or multi-unit integration. The standard warranty is six years compressor, three years parts and labor.



The Dry Aging Bible: included with every DRYAGER™ PRO S Cabinet



**Conformity**  
 UL 60335-1: 2016  
 UL 60335-2-89: 2017  
 CAN/CSA-C22.2 No. 60335-1:16  
 CAN/CSA-C22.2 No. 60335-2-89:17  
 NSF/ANSI 7: 2016



### Standard features

#### Dry aging and curing programs

- **SmartAging™ Technology** – Enables dry aging with the help of product-specific aging programs, including various flavor intensity profiles as referenced in the Dry Aging Bible (included with cabinet)
- Automatic temperature, humidity and airflow settings carried out by the SmartAging™ processor
- Manual operation also possible without utilizing SmartAging™ Technology

#### Temperature & Humidity

- Humicontrol™ – steady humidity electronically controlled from **40% to 90%** without the requirement for water connection or drain
- Electronically controlled temperature from **32°F to 86°F**
- Superior aging with minimal weight loss
- Automatic defrost and automatic condensation evaporation

#### Hygiene

- UVC sterilization system UX Airreg™ – optimal airflow & air quality without UV exposure of the product
- Antibacterial interior with molded slides and coved corners

#### Visual design

- Stainless steel exterior and door frame
- UX-LED lighting – dimmable side and ceiling interior lighting for perfect display of products
- Integrated UX-LED Salt Wall System with adjustable brightness and colors
- Maximum visual appeal & merchandising potential

#### Safety

- UV protection through tinted double pane glass door
- Visual & audible alarm
- Lockable door and snap-in magnetic gasket

#### Modularity

- Cabinet designed for free-standing or built-in application for single section or multiple units
- Door hinges reversible

#### Included accessories: XL accessory package Pro S

- 1 x Book “The Dry Aging Bible” (DU2041) – dry aging knowledge and recipes on more than 300 pages
- 4 x Full shelf (DUS020) – stainless steel, max. load/shelf 88 lbs
- 1 x Double hanger (DU0010) – stainless steel, max. load 176 lbs
- 1 x SALTAIR tray (DU0070) – stainless steel
- 4 x Swivel hook - stainless steel, max. load/hook 220 lbs

#### Standard warranty

- Compressor: 6 years, parts & labor: 3 years

### Technical specifications

<b>Internal capacity/net</b>	17.0/15.3 cu. ft. (482/432 liters)	<b>LED interior lighting dimmable</b>	Yes
<b>Maximum load</b>	220 lbs (100 kg)	<b>External housing finish</b>	Stainless Steel / Black / Custom Colors
<b>Internal Dimensions HxWxD</b>	53.98 x 22.76 x 23.11 in	<b>Door material</b>	Stainless Steel / Black / Custom Colors & metallic tinted glass (UV protect)
<b>External Dimensions HxWxD</b>	64.96 x 27.56 x 29.21 in	<b>Door reversible &amp; lockable</b>	Yes
<b>Temperature range</b>	32°F to 86°F (0 °C to 30 °C)	<b>Magnetic door seal, exchangeable</b>	Yes
<b>Humicontrol™</b>	40% to 90%	<b>Door handle</b>	Robust
<b>Connection rating</b>	115 V / 2A / 60 Hz	<b>Alarm</b>	Visual & acoustic
<b>NEMA plug configuration</b>	5–15P	<b>Installation</b>	Integration & free standing
<b>Average energy consumption</b>	~1.75 kWh / 24h	<b>Ambient temperature</b>	50°F to 86°F (10 °C to 30 °C)
<b>UVC sterilisation system</b>	Yes	<b>Refrigerant</b>	R600a
<b>SmartAging™ Technology</b>	Yes	<b>Empty weight</b>	206 lbs
<b>Water and drain connection required</b>	No	<b>Shipping weight (on pallet)</b>	297 lbs
<b>Automatic defrost and condensation evaporation</b>	Yes	<b>Shipping dimensions HxWxD (on pallet)</b>	83.00 x 42.00 x 42.00 in
<b>UX-LED Salt Wall System</b>	Yes		

\* Maintain at least 2 in clearance between the cabinet walls, door, and food products for proper airflow and performance  
 \*\* For professional dry aging solutions

# DRYAGER™ UX 1550 PRO S

For up to 220 lbs

## UX-LED Salt Wall System

Discover our NSF-certified\* LED Salt Wall System, **designed to elevate your product presentation** with its striking salt look. It seamlessly blends with the color scheme of your surroundings, **creating a harmonious ambiance**.

Enjoy the benefits of a **maintenance-free and hygienic solution**, free from the challenges often associated with real salt walls. Use a remote control to adjust the brightness, choose from **many different colors** or set a color changing mode. Create the perfect atmosphere for your business. **A true eye-catcher that captivates!**

## Exemplary color settings



\* NSF certified by Intertek

# DRYAGER™ UX 1550 PRO S

For up to 220 lbs

## Application: Dry Aging of meat

① UX 1550 PRO S on podium (DU0080) for perfect presentation at the eye level



Beef on shelves



Two saddles of beef hanging



Poultry hanging



Ham and charcuterie hanging

## SmartAging™ makes it possible: One Cabinet – various applications



Charcuterie production: Sausage and ham | Dry Aging of meat\*



Dry Aging of fish and seafood | Dry Aging of meat\*



Dry Aging of poultry and meat | storing and production of cheese\*



Tempering champagne and wine | production and storing of cheese\*  
**NEW:** Wooden slide-in shelves available

\*Shelves in pictures differ from UX 1550 PRO S shelves.

# DRYAGER™ UX 1550 PRO S

For up to 220 lbs

## Housing: Color options



All RAL and Pantone colors available

### UX 1550 PRO S Standard

### UX 1550 PRO S Black

### UX 1550 PRO S Custom color

Item no.	UX1550PS	UX1550PSP	UX1550PSC
Housing color	Stainless steel	Black, powder-coated	Custom color premium finish glossy or matte
Door Frame and Handle color	Stainless steel	Black, powder-coated	Custom color premium finish glossy or matte

Custom color solutions available on request: Separate painting of door, housing, handle upon request



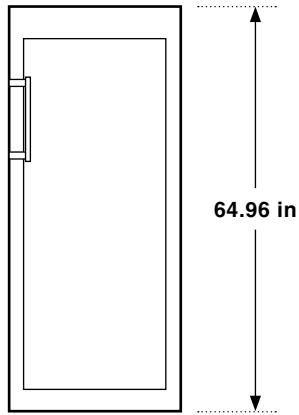
\*Shelves in pictures differ from UX 1550 PRO S shelves.

# DRYAGER™ UX 1550 PRO S

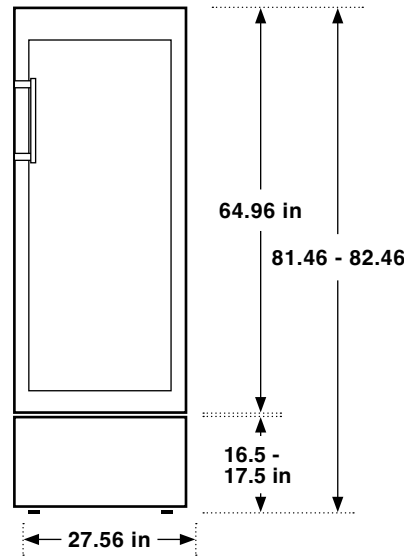
For up to 220lbs

## Drawings

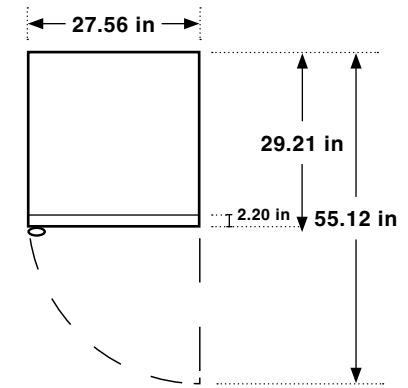
Front view



Front view with podium

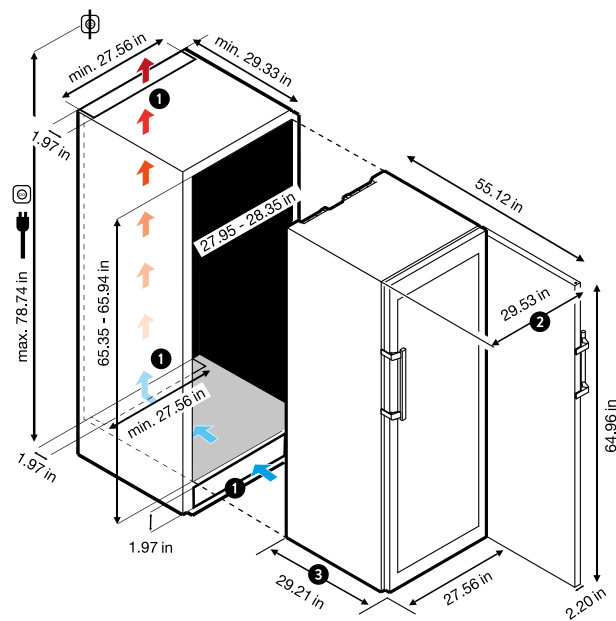


Top view

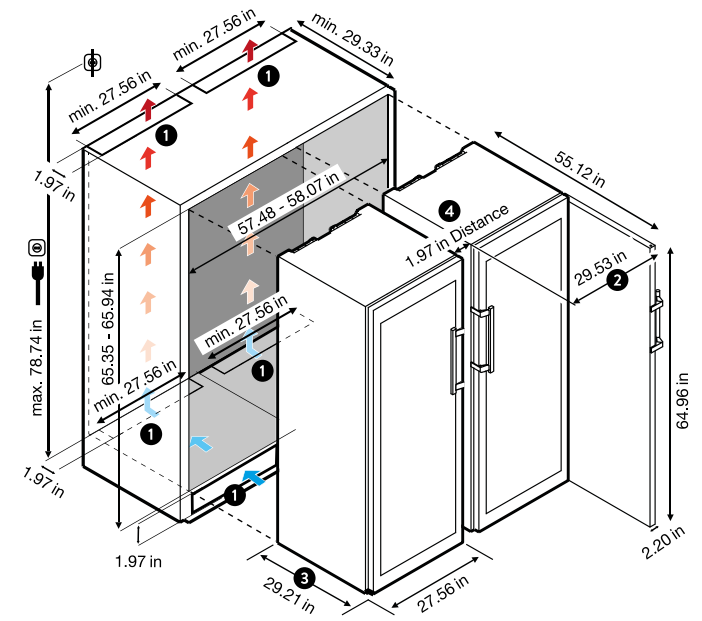


## Integration drawing

Single unit installation



Side by Side integration



• It is absolutely essential to have good air circulation around the unit. The width of the ventilation shafts needs to be at least the width of the appliance (see ❶). The minimum required depth/height of the shafts is 1.97 in. Also ensure that the back of the appliance is positioned at a distance of at least 1.97 in from the wall.

• Overall dimension with opened door (see ❷): 29.53 in.

• Overall dimension body + door (protruding) (see ❸): 29.21 in.

• Covering of distance (see ❹) possible by Stainless Steel Cover, available as an accessory at: [shop.dry-ager.com](http://shop.dry-ager.com).

# DRYAGER™ UX 1550 PRO S

For up to 220 lbs

## Free XL Accessory Package Pro S Included with every DRYAGER™ PRO S Cabinet



## Optional Accessories for UX 1550 PRO S

### Single Accessories

- DU0005 Stainless Steel Cover**  
for side-by-side integration installation of two UX 1550 PRO S units at a distance of 1.97 in.
- DU0010 Double Hanger**  
stainless steel, for hanging up to 4 saddles of meat, total load capacity: 176 lbs, hooks not included
- DUS015 Half Shelf**  
stainless steel, for loading over half depth of unit, insertable at many different heights (integral rack slides), load capacity per shelf: 44 lbs
- DUS020 Full Shelf**  
stainless steel, for loading over full depth of unit, insertable at many different heights (integral rack slides), load capacity per shelf: 88 lbs
- DUS022 Charcuterie Shelf**  
special designed stainless steel shelf for hanging of sausages, salami and ham over half depth of unit, insertable at many different heights (integral rack slides), load capacity per shelf: 44 lbs
- DU0055 SALTAIR Salt-Block Set**  
4 pieces of natural crystal salt for optimal support of the humidity regulation, use with DRYAGER™ stainless steel tray (DU0070)
- DU0070 SALTAIR Tray**  
high quality stainless steel tray to hold one DRYAGER™ salt-block set (DU0055, not included)
- DU0080 Podium**  
perfect presentation of free-standing UX 1550 PRO S unit at the eye level, made of sturdy metal, metallic black powder-coating, height adjustable (16.5-17.5 in), including DRYAGER™ logo, optional with wheels (DU0082)
- DU0180 Caster Set**  
4 x casters (2 casters with brakes) including mounting material, height 5.12 in
- DU0190 S-Hooks Set**  
10 hooks from high quality stainless steel for usage with DRYAGER™ hangers, size 6.3 x 0.3 in, load capacity per hook: 220 lbs
- DU0195 Swivel Hooks Set**  
10 swivel hooks from high quality stainless steel, for usage with DRYAGER™ hangers, size 7.1 x 0.3 in, load capacity per hook: 220 lbs

### Packages

- DU0130 DRYAGER™ Special Cleaner Package**  
Set of two NSF listed cleaners to remove fat, oil, protein residues etc., 16.9 oz (500 ml) spray bottle
- DU0140 XL Meat Label Package**  
40 stainless steel skewers with DRYAGER™ designed labels made of reusable plastic
- DU1555 Taste & Operation Package**  
1 x SALTAIR Salt-Block Set (DU0055), 1 x XL Meat Label package (DU0140), 1 x DRYAGER™ Special Cleaner package (DU0130)
- DU1560 Charcuterie & Flexibility Package**  
3 x Charcuterie Shelf (DUS022), 3 x Half Shelf (DUS015)
- DU0129 Wooden Shelf Package – beech wood** **NEW**  
3 x full shelf, 1 x half shelf made from beech wood, ideal for the presentation of packed food and beverages such as wine

Package also available in stained beech wood (DU1229)



### Books

- DU2041 The Dry Aging Bible** **NEW**  
The Dry Aging Bible with more than 330 pages is a complete resource offering 89 Dry Aging & cooking recipes, endless inspiration and expert insights.

Also available in Spanish language (DU2042).

### Maintenance

- DU0115 UVC Bulb Replacement Kit**  
replacement bulb for annual maintenance of UVC sterilization system
- DUW150 Warranty Extension**  
Compressor: 8 years, parts & labor: 4 years

# DRYAGER™ UX 1550 PRO S

For up to 220 lbs

The Dry Aging Bible – The standard reference on Dry Aging and SmartAging™ included with every DRYAGER™ PRO S Cabinet.

- 336 Pages
- 89 Dry Aging & cooking recipes
- Inspiration & expertise

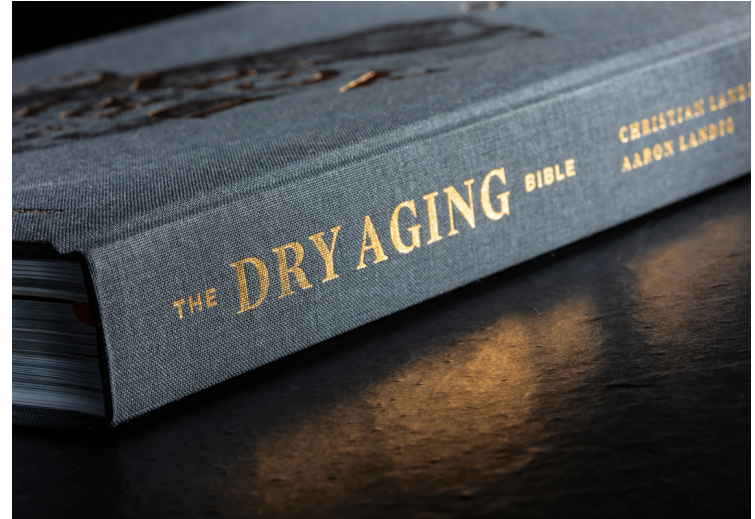
Our Awards:



Best Book 2022 in the category „Meat & Poultry“



Category E12 Meat Best Book in the world in 2023



DRY AGER reserves the right to change specifications without notice. This document may be subject to typesetting and printing errors.