



ATLAS METAL

1135 N.W. 159th DRIVE, MIAMI, FLORIDA 33169

TEL 305.625.2451

TOLL FREE 800.762.7565

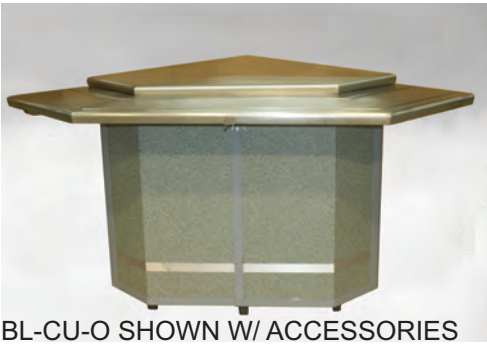
FAX 305.623.0475

WWW.ATLASFOODSERV.COM

SALES@ATLASFOODSERV.COM

Project: _____
Item No.: _____
Quantity: _____

MODULAR UNITS BL SERIES



BL-CU-O SHOWN W/ ACCESSORIES

CORNER UNIT

BL-CU-O

BL-CU-I

SPECIFICATIONS

TOP: Constructed of 16 gauge, type 304 stainless steel, die-formed, welded, ground and polished to a uniform finish. The top includes a rolled front edge (**BL-CU-O ONLY**).

BODY : Frame construction shall be of hi-tensile aluminum square tubing, 1-1/4", with 3-3/4" extruded, vertical radius corners on the front (**BL-CU-O ONLY**). Frame sections are all welded construction, ground and polished to a uniform finish. On **BL-CU-O** body is complete with front panel & end panels. On **BL-CU-I** body is complete with end panels. Both units include plastic laminate on .050 aluminum. Owner to specify laminate selection. A cam-lock locking system is included with each unit to align and retain cart positioning when two or more units are joined. **BL-CU-I** includes a stainless steel bottom shelf.

TRAY SLIDE: (BL-CU-O ONLY) Constructed of 16 gauge, type 304 stainless steel, welded, ground and polished, with die-formed, raised ribs for ease of sliding trays. The tray slide has welded corners and reinforced sections where necessary, and is NON-FOLDING.

CASTERS: N.S.F. approved, 5" diameter, non-marking rubber tired, swivel plate casters with grease fittings. Both casters on the operator's side have toe activated brakes.

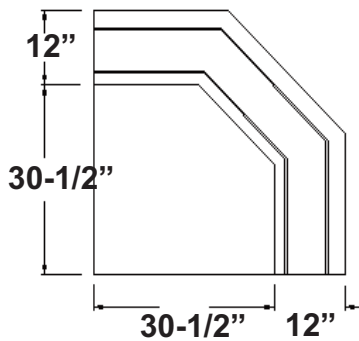
Specifications subject to change without notice.

STANDARD FEATURES

- Front and End Skirts with recessed casters (**BL-CU-O** only)
- Cam-Lock locking device - keeps tops level and equipment in place
- Fully mobile - each unit is provided with 5" dia. swivel casters, two with brakes
- Available in a wide range of plastic laminate panels, polyurethane enamel & powder coated frames and panels to blend with any decor
- Eliminates wasted space - creates usable customer serving areas
- Bottom Shelf, S/S (**BL-CU-I** only)
- 1-Year Parts & Labor Warranty
- UL Listed & NSF Approved

ACCESSORIES

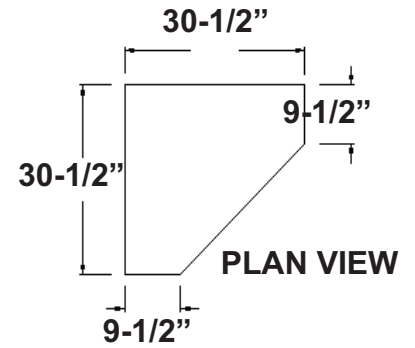
- **BLSF** - S/S Front Panel
- **BLSE** - S/S End Panel (each)
- **PP** - Painted Panels, polyurethane enamel, in lieu of laminate
- **USMB** - Undershelves, S/S, middle & bottom (**BL-CU-I** only)
- **SC** - Square Cutout
- **RC** - Round Cutout
- **CO** - Convenience Outlet (specify base or apron mount)
- **CO-DUP** - Convenience Outlet, Duplex receptacle
- **JBC** - Outlet Box in base, 4x4 (120V) with cord
- **JBH** - Outlet Box in base, 4x4 (120V/240V) with cord
- **PCS** - 7 to 10 ft. Power Cord
- **CW** - Cord Wrap
- **P-CAST** - Polyurethane Casters, 2-W/Brakes
- **SL-BL** - Legs with adjustable feet, in lieu of casters



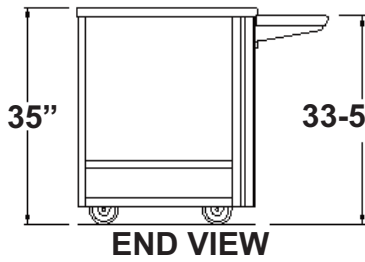
**BL-CU-O
CUSTOMER SIDE**

PLAN VIEW

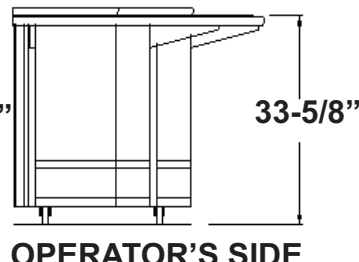
**BL-CU-I
CUSTOMER SIDE**



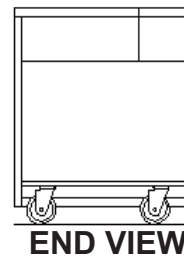
PLAN VIEW



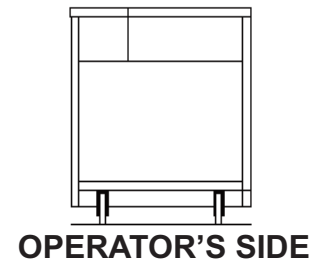
END VIEW



OPERATOR'S SIDE



END VIEW



OPERATOR'S SIDE

MODEL	SHIP WT. (LBS)
BL-CU-O	255 (115.6kg)
BL-CU-I	154 (69.8kg)