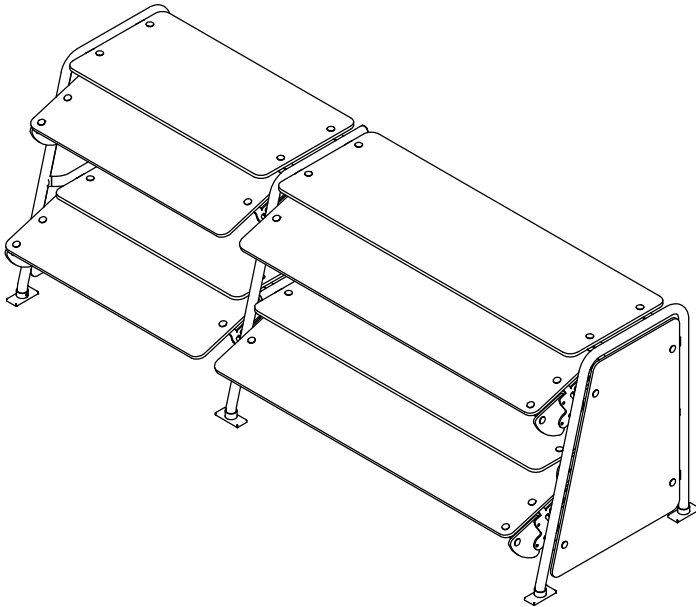




Your Solutions Partner

Specifications

F.O.B. Sedalia, Missouri 65301



Model: **TS462DD-74**
Self Serve - Flush Mount

OPTIONS:

- Led lights
- Heater
 - 120 Volt
 - 208 Volt
 - 240 Volt
- Special Height
- Special Length - Max 60" CL/CL per Section

Approval Stamp(s):

PRODUCT INFORMATION:

PROJECT: _____
 ITEM: _____
 QUANTITY: _____

MODEL:

TS462 Food Guard Series

- TS462-32 Single Shelf - 2 Well - 1 Section
- TS462-46 Single Shelf - 3 Well - 1 Section
- TS462-60 Single Shelf - 4 Well - 1 Section
- TS462-74 Single Shelf - 5 Well - 2 Sections
- TS462-88 Single Shelf - 6 Well - 2 Sections
- TS462DD-32 Double Deck - 2 Well - 1 Section
- TS462DD-46 Double Deck - 3 Well - 1 Section
- TS462DD-60 Double Deck - 4 Well - 1 Section
- TS462DD-74 Double Deck - 5 Well - 2 Sections
- TS462DD-88 Double Deck - 6 Well - 2 Sections

Mounting Options:

- Flush Mount
- Through Mount

Frames:

- 1" Dia. Stainless Steel
- or
- Powder coated steel - Choice of 12 colors

Guards:

- Adjustable from full service to self serve in one easy movement
- 1/4" Tempered Side Glass
- 3/8" Tempered Top and Front Glass
- Clear polished edges on all glass

Certifications:



DUKE MANUFACTURING CO.
 2305 N. Broadway
 St. Louis, MO 63102
 800.735.3853 Toll Free
 314.231.5074 Fax
 www.dukemfg.com
 SS-1103 TS462 Series Food Guard

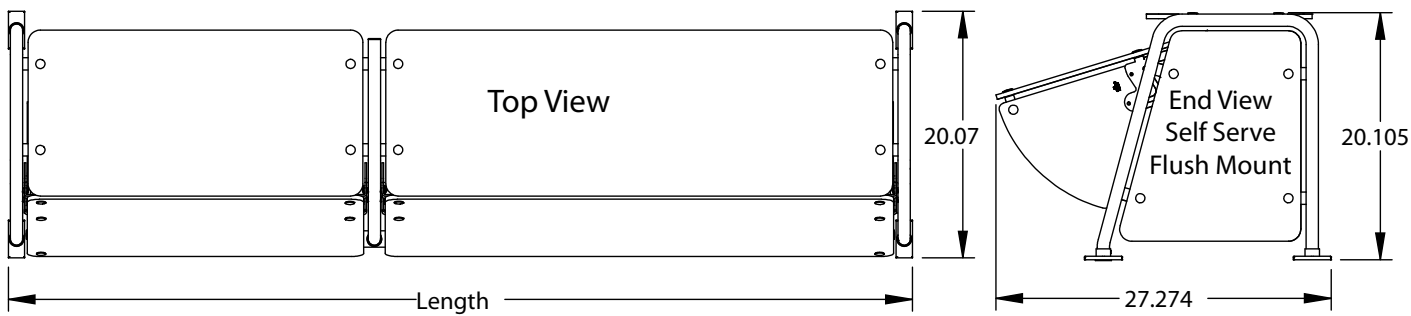
Specification subject to change



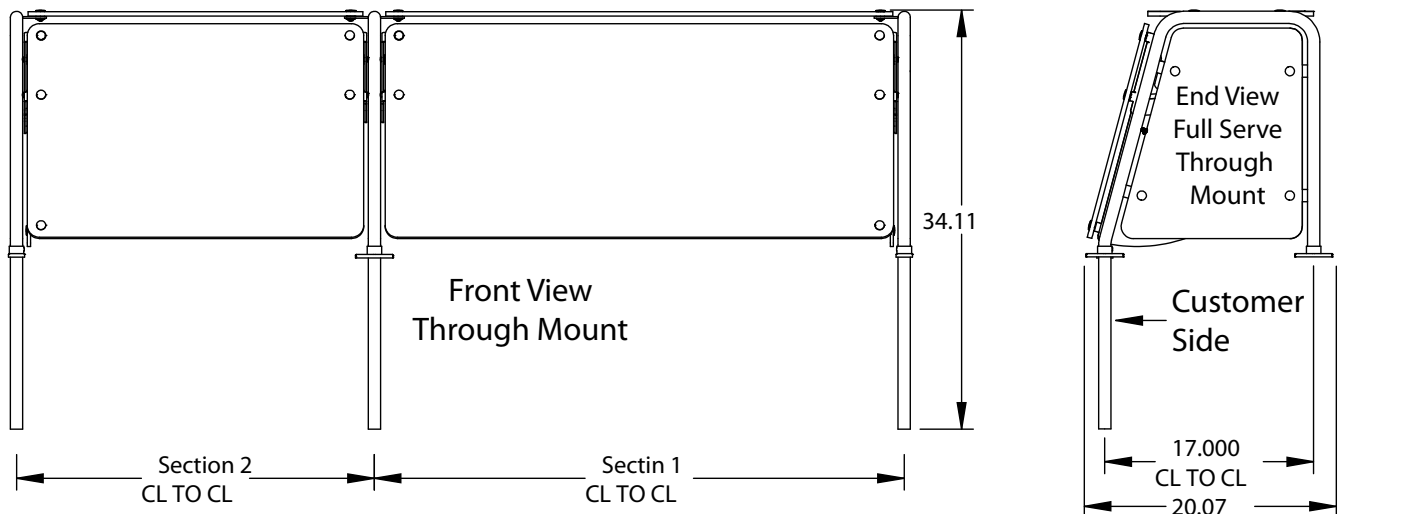
Rev B 01/20/2020

FOOD GUARD TS462 SERIES

A.I.A. File No. 35-C-13



Catalog No. FS CONTEMPORARY



TS462-74 Single Shelf

Dimensions:

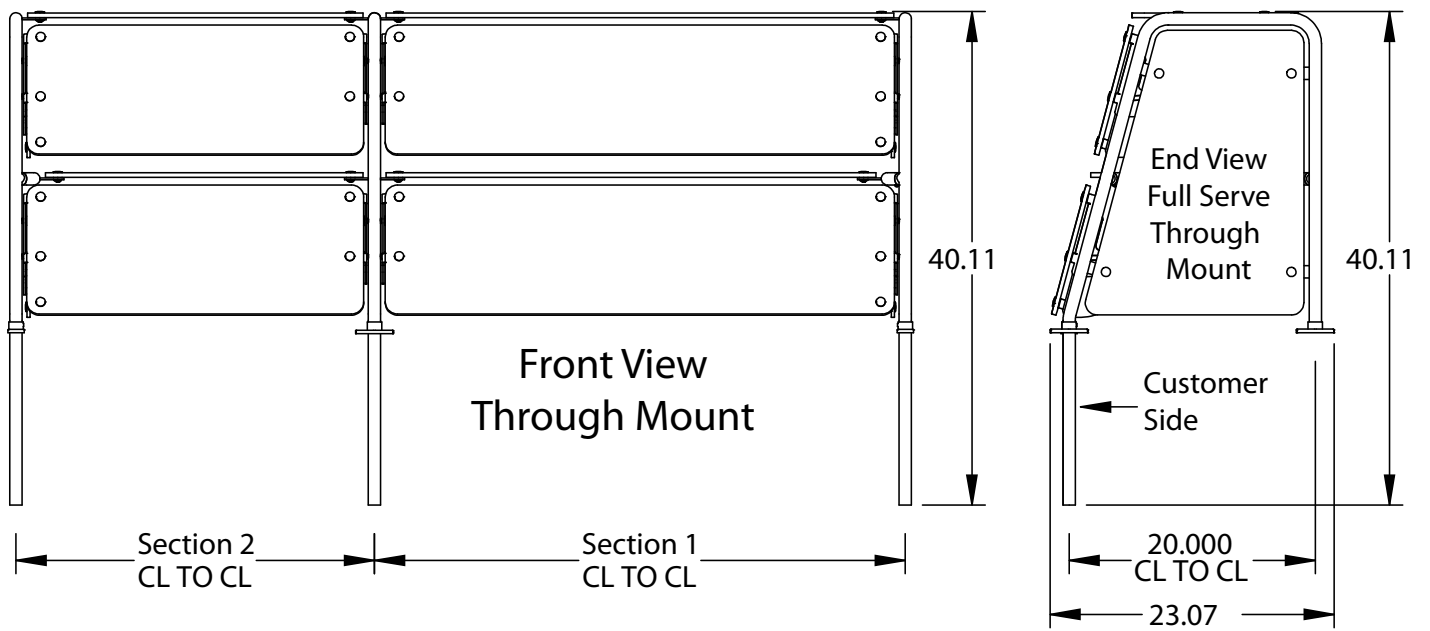
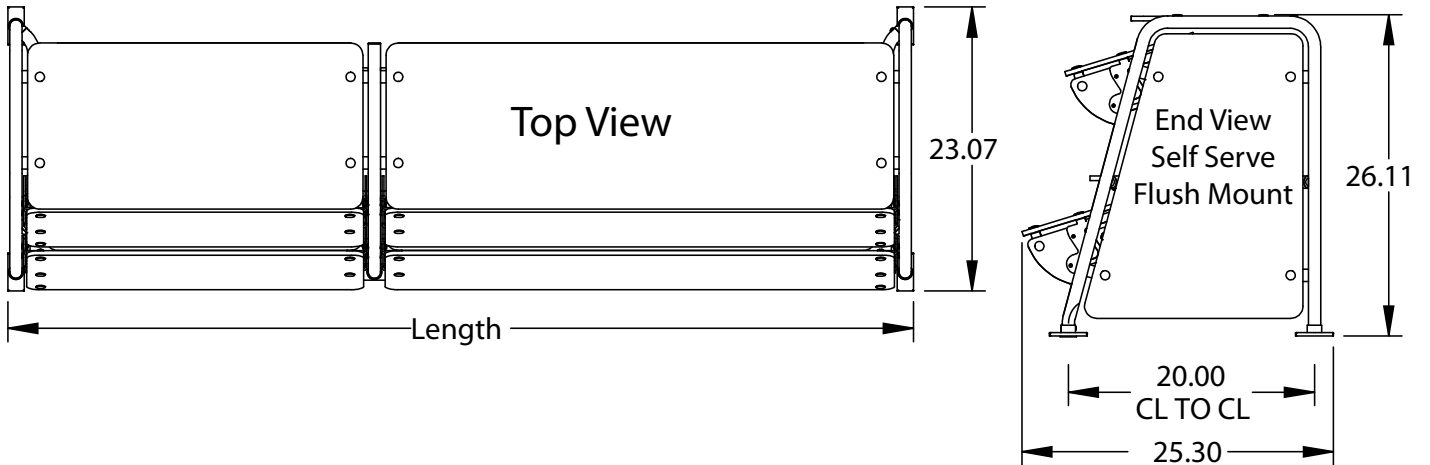
Freight Class: 100

Overall Height: 20.11 in./51.07 cm				Depth Overall: 20.07 in./ 49.43 cm					
				CL/CL: 17.00 in./ 39.37 cm					
Model	Length		Section 1 Length		Section 2 - Length		Cube ft. crated	Crated Ship Weight	
	Overall		CL/CL		CL/CL			lbs.	kg
	in.	cm	in.	cm	in.	cm			
TS462-32	31.57	80.01	30.25	76.84	N/A		18	40	17.2
TS462-46	45.57	115.57	44.25	112.40	N/A		21	48	20.9
TS462-60	59.57	151.13	58.25	147.96	N/A		31	68	29.9
TS462-74	73.57	186.69	43.125	109.54	29.125	73.98	45	98	43.5
TS462-88	87.57	222.25	43.125	109.54	43.125	109.54	54	118	52.6

FOOD GUARD TS462 SERIES - TS462

FOOD GUARD TS462 SERIES

FOOD GUARD TS462 SERIES - TS462



Catalog No. FS CONTEMPORARY

TS462DD-74 Double Deck

Dimensions:

Freight Class: 100

Overall Height: 26.11 in. /66.32 cm				Depth Overall: 23.07 in./58.6 cm CL/CL: 20.00 in./ 50.8 cm					
Model	Length		Section 1 Length		Section 2 - Length		Cube ft. crated	Crated Ship Weight	
	Overall		CL/CL		CL/CL			lbs.	kg
	in.	cm	in.	cm	in.	cm			
TS462DD-32	31.57	80.01	30.25	76.84	N/A		23	48	22.0
TS462DD-46	45.57	115.57	44.25	112.40	N/A		26	58	26.3
TS462DD-60	59.57	151.13	58.25	147.96	N/A		38	82	37.2
TS462DD-74	73.57	186.69	43.125	109.54	29.125	73.98	50	118	53.5
TS462DD-88	87.57	222.25	43.125	109.54	43.125	109.54	110	150	68.0

A.I.A. File No. 35-C-13

A.I.A. File No. 35-C-13

FOOD GUARD TS462 SERIES

Electrical Specifications:

Catalog No. FS CONTEMPORO

MODEL	120 Volt						208 Volt		120/208 Volt		240 Volt		120/240 Volts	
	LED Only NEMA 5-15P		Heater Only		LED and Heater		Heater Only		LED and Heater		Heater Only		LED and Heater	
	Watts	Amps	Watts	Amps	Watts	Amps	Watts	Amps	Watts	Amps	Watts	Amps	Watts	Amps
TS462-32	4	.042	250	2.08	254	2.12	250	1.20	254	1.22	250	1.04	254	1.06
TS462-46	8	.060	450	3.75	458	3.82	450	2.16	458	2.20	450	1.88	458	1.91
TS462-60	14	.117	675	5.63	689	5.74	675	3.25	689	3.31	675	2.81	689	2.87
TS462-74	18	.150	1050	8.75	1068	8.9	1050	5.05	1068	5.13	1050	4.38	1068	4.45
TS462-88	23	.192	N/A	N/A	N/A	N/A	1275	6.13	1298	6.24	1275	5.31	1298	5.41
TS462DD-32	8	.070	500	4.17	508	4.23	500	2.40	508	2.44	500	2.08	508	2.12
TS462DD-46	16	.140	900	7.5	918	7.63	900	4.33	916	4.40	900	3.75	916	3.82
TS462DD-60	28	.240	1350	11.25	1378	11.48	1350	6.49	1378	6.63	1350	5.63	1378	5.74
TS462DD-74	36	.300	N/A	N/A	N/A	N/A	2100	10.10	2136	10.27	2100	8.75	2136	8.90
TS462DD-88	46	.390	N/A	N/A	N/A	N/A	2550	12.26	2596	12.48	2550	10.63	2596	10.82

FOOD GUARD TS462 SERIES - TS462



Duke Manufacturing Co.

2305 N. Broadway
St. Louis, MO 63102

Phone: 314-231-1130
Toll Free: 1-800-735-3853
Fax: 314-231-5074

www.dukemfg.com

Your Solutions Partner
SS-1103 TS462 Series Food Guard

Printed in U.S.A
© 2020, Duke Manufacturing Co.