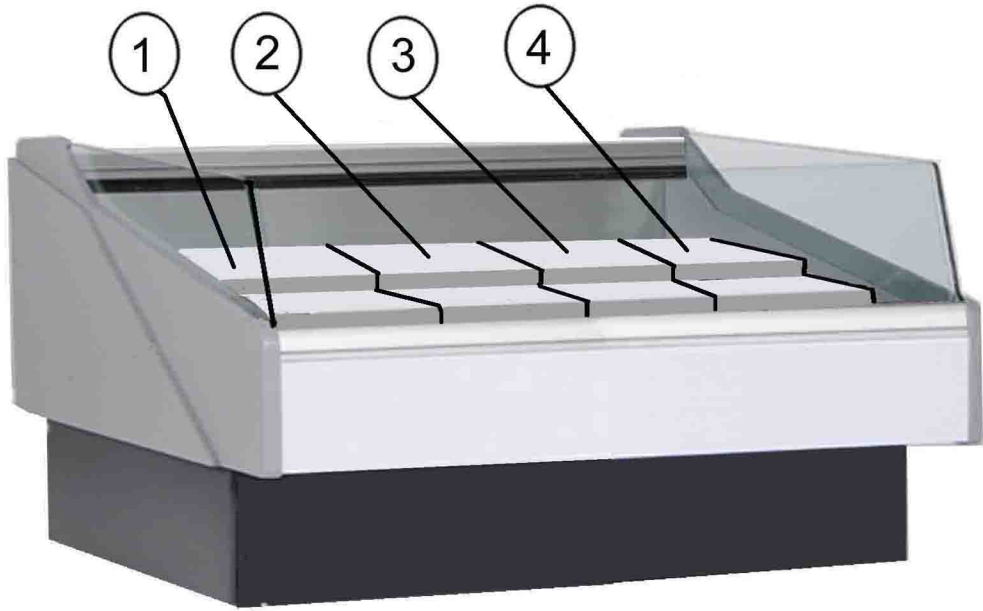
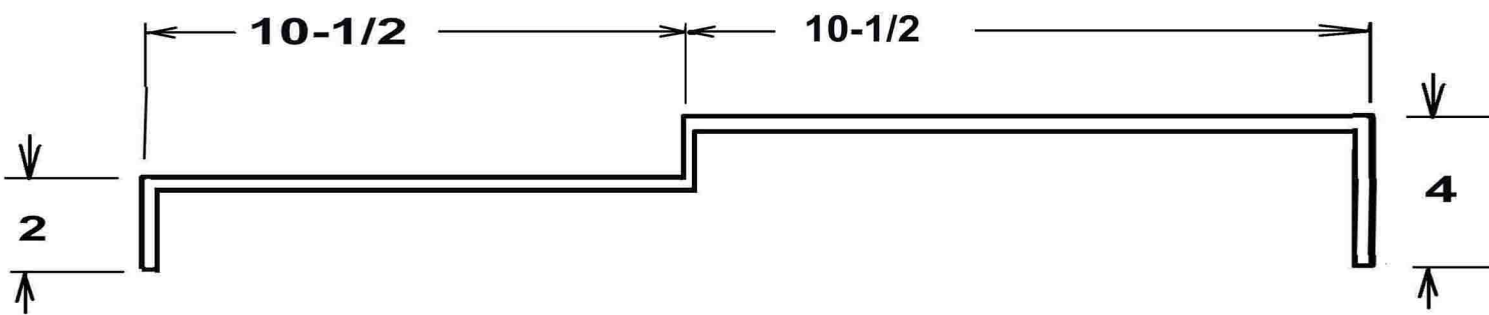
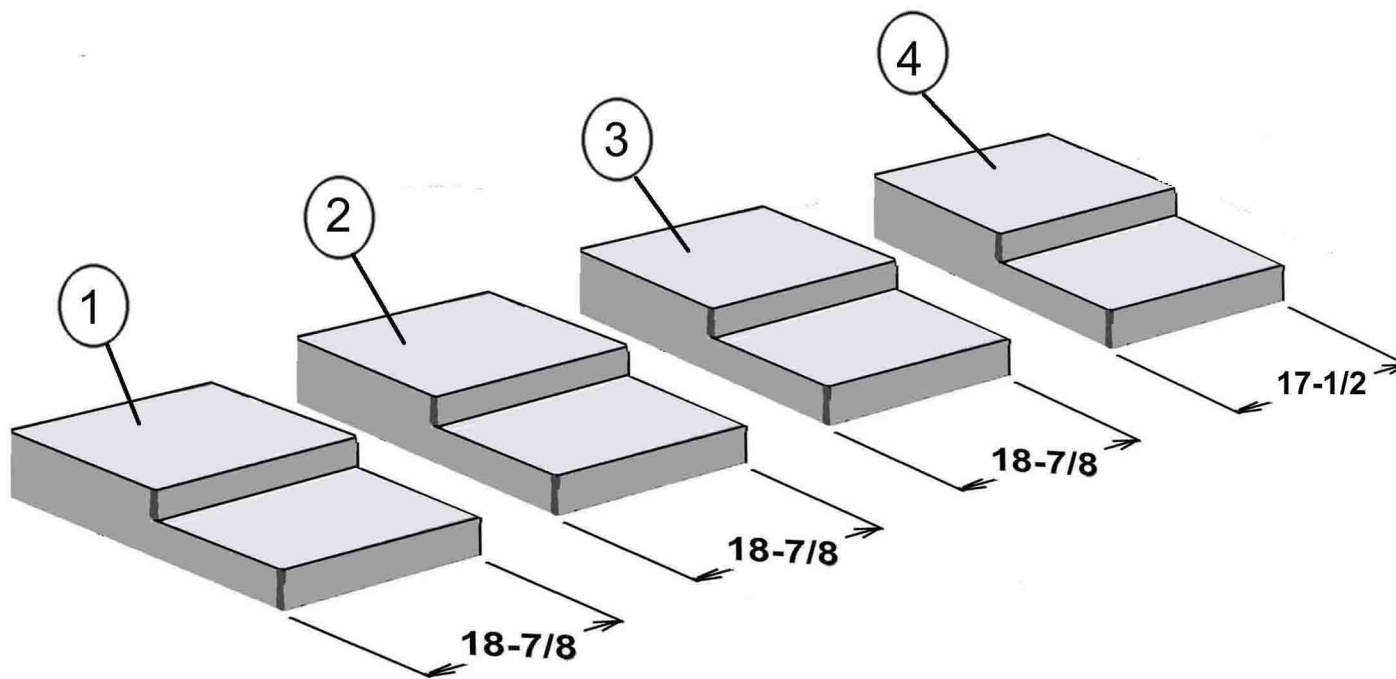
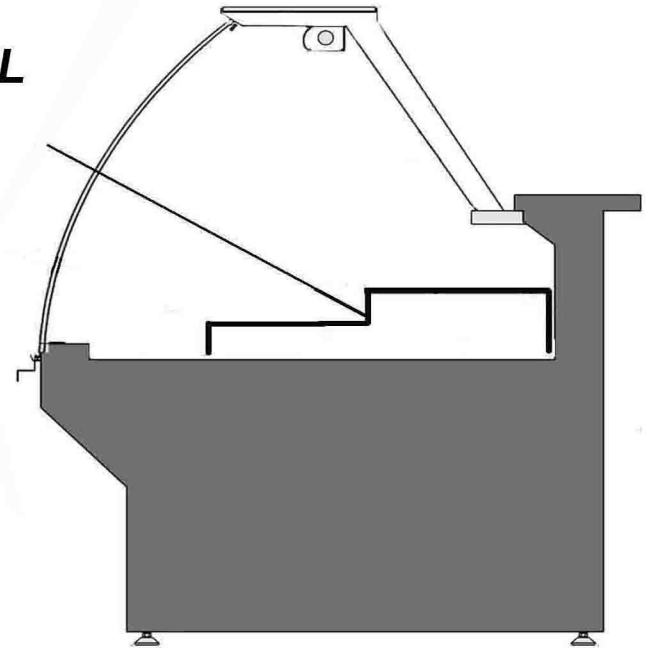


KT012G

(2) LEVEL STEP SHAM - GRAY



(2) LEVEL STEP SHAM



CASES USED ON **KPM/KFM - 80**



NUMBER	DESCRIPTION	QTY
1	18-7/8" x 20-7/8" (2) LEVEL STEP SHAM	1
2	18-7/8" x 20-7/8" (2) LEVEL STEP SHAM	1
3	18-7/8" x 20-7/8" (2) LEVEL STEP SHAM	1
4	18-7/8" x 17-1/2" (2) LEVEL STEP SHAM	1