



FLAT TOP BOTTLE COOLERS
REFRIGERATION



eco friendly
R290 Hydrocarbon Refrigerant

JOB
AREA
ITEM NO.
MODEL NO.



BC24

(shown w/optional opener, receiver and casters)



BC36

(shown w/optional casters)



BC72

(shown w/optional opener, receiver and casters)

MODELS		
Regular Temperature (34°-40°F)	Low Temperature (28°-34°F)	Wine Temperature (45°-60°F)
BC24RT	BC24LT	BC24WT
BC36RT	BC36LT	BC36WT
BC48RT	BC48LT	BC48WT
BC60RT	BC60LT	BC60WT
BC72RT	BC72LT	BC72WT
BC96RT	BC96LT	BC96WT

Features

- Heavy Duty Construction – Stainless steel interior & top
- 2" Foamed-in-place eco-friendly insulation provides energy savings with zero ozone depletion
- Stainless steel interior with choice of stainless steel or black vinyl-coated exterior
- Heavy gauge dent resistant doors with door locks standard
- LED Lights standard, E26 screw in bulb base for easy replacement
- Ultra quiet, high efficiency, refrigeration system
- Plug-in installation, no condensate plumbing required
- Available with optional bottle opener & cap receiver
- 1 Year Parts and Labor Warranty, 5 Year Compressor Warranty



FLAT TOP BOTTLE COOLERS
REFRIGERATION

MODEL NUMBERS		BC24	BC36	BC48	BC60	BC72	BC96
EXTERIOR CABINET DIMENSIONS	Length - in. (mm)	24 (610)	36 (914)	48 (1219)	60 (1524)	72 (1829)	96 (2436)
	Depth - in. (mm)	24 (610)	24 (610)	24 (610)	24 (610)	24 (610)	24 (610)
	Height - in. (mm)	34-1/8 (866)	34-1/8 (866)	34-1/8 (866)	34-1/8 (866)	34-1/8 (866)	34-1/8 (866)
INTERNAL NET VOLUME - cubic ft. (liters)		4.2 (118)	8.6 (242)	12.5 (353)	16.3 (462)	20.3 (575)	28.3 (800)
CASE CAPACITY (12 bottles)		5.5	9.8	17.2	21.0	28.3	41.0
CASE CAPACITY (12 cans)		7	16	25	30	36	58
SHIPPING WEIGHT Lbs. (kg.)		190 (86)	245 (111)	300 (136)	353 (160)	405 (184)	515 (235)
CABINET CONSTRUCTION (INTERIOR)		All models have stainless steel walls and floor.					
CABINET CONSTRUCTION (EXTERIOR)		Choice of black, stainless steel and all stainless. Black Option: Front and ends are black vinyl coated steel, back and bottom are galvanized. Stainless Steel Option: Front and ends are stainless steel, back and bottom are galvanized. All Stainless Option: Front, ends, back and bottom are all stainless steel.					
DOORS AND HARDWARE		Sliding style open with standard locks. Stainless steel top and bottom pans. Die cast handle					
PLUMBING		No drain required. Condensate evaporates automatically.					
INSULATION		2 inch foamed-in-place, environmentally friendly Ecomate® polyurethane insulation. Blowing agent R-611.					
VENTILATION		2' model is front vented, all other models require 2" clearance from wall on either left end or back of cabinet for proper air flow.					
TEMPERATURE SPECIFICATIONS	Default Temperature Setpoint: Standard Temp (RT) Models - °F [°C]	38 [3.3]					
	Adjustable Setpoint Range: Standard Temp (RT) Models - °F [°C]	34 - 40 [1.1 - 4.4]					
	Default Temperature Setpoint: Low Temp (LT) Models - °F [°C]	30 [-1.1]					
	Adjustable Setpoint Range: Low Temp (LT) Models - °F [°C]	28 - 34 [-2.2 - 1.1]					
	Default Temperature Setpoint: Wine Temp (WT) Models - °F [°C]	50 [10.0]					
	Adjustable Setpoint Range: Wine Temp (WT) Models - °F [°C]	45 - 60 [7.2 - 15.6]					
ELECTRICAL SPECIFICATIONS	Supply	120 VAC/60 Hz/1 Ph					
	Running Load Amps	1.9	1.9	3.1	4.4	4.4	4.4
	Power Cord	6-foot length with NEMA 5-15 plug.					
	Thermostat	NSF Listed electronic control.					
	Defrost Type	Automatic electric defrost (Low Temp models only).					
	Lighting Type	LED (136 Lumens, 5500K)					
REFRIGERATION SPECIFICATIONS	Condensing Unit	Hermetic condensing unit pulls out for service and cleaning.					
	Expansion Device	Capillary Tube					
	Refrigerant	R290					
	Refrigerant Charge (g)	90	110	120	120	120	120
	Compressor H.P.	1/6	1/6	1/5	1/4	1/4	1/4
	Total Heat of Rejection At 75°F ambient (BTU/h)	1420	1420	1920	2980	2980	2980
OPTIONAL ACCESSORIES		Floor racks • Casters • Bottle opener and receiver • Bin dividers Speed rails • Adjustable legs • Roller basket shelving					

*NOTE: This equipment is intended for the storage and display of non-potentially hazardous bottled or canned products only!

California Prop 65 Notice:



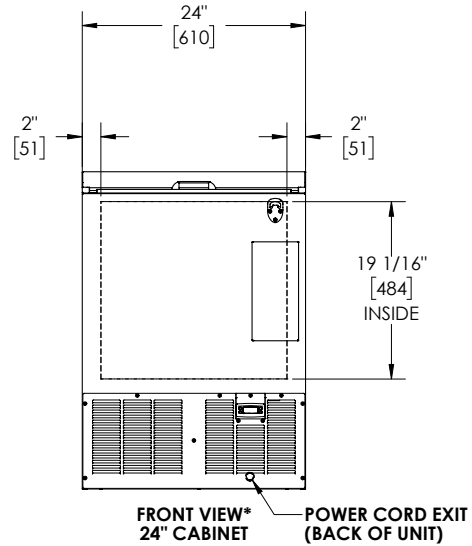
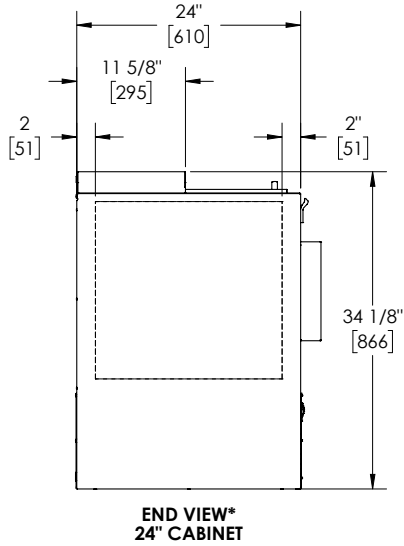
WARNING: The materials used in this product may contain chemicals known to the State of California to cause cancer and birth defects or other reproductive harm, For more information go to www.P65Warnings.ca.gov.

Form No. BC01
Rev. 07.13.2020

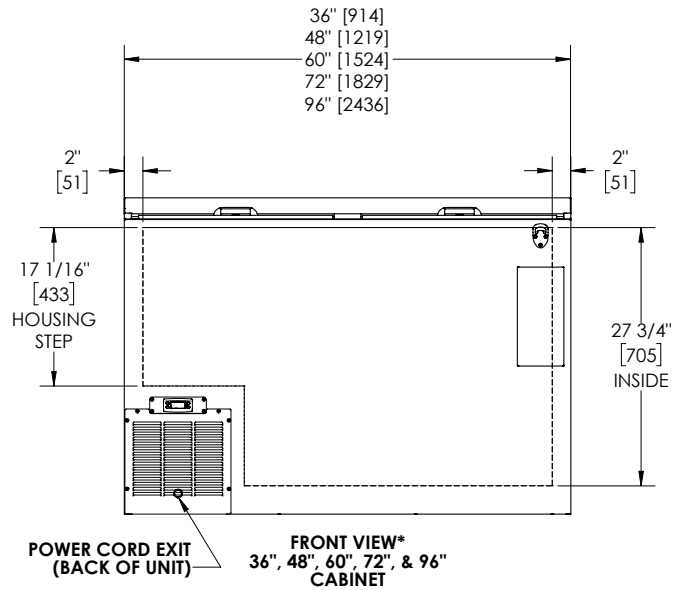
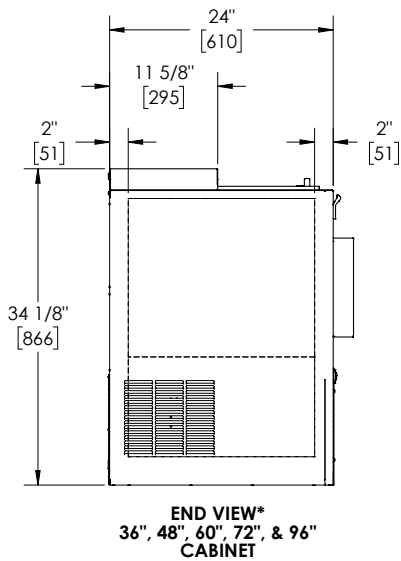


FLAT TOP BOTTLE COOLERS
REFRIGERATION

24" CABINET



36", 48", 60", 72", & 96" CABINET



California Prop 65 Notice:

! **WARNING:** The materials used in this product may contain chemicals known to the State of California to cause cancer and birth defects or other reproductive harm, For more information go to www.P65Warnings.ca.gov.

Form No. BC01
Rev. 07.13.2020