

Project:



Scan for more info!

Owners manual
Quick install
Quick sizing
Install layout
Parts list

CR-CPS-FS

Free Standing Cold Plate System with Integrated Draft Tower and Carbonation System

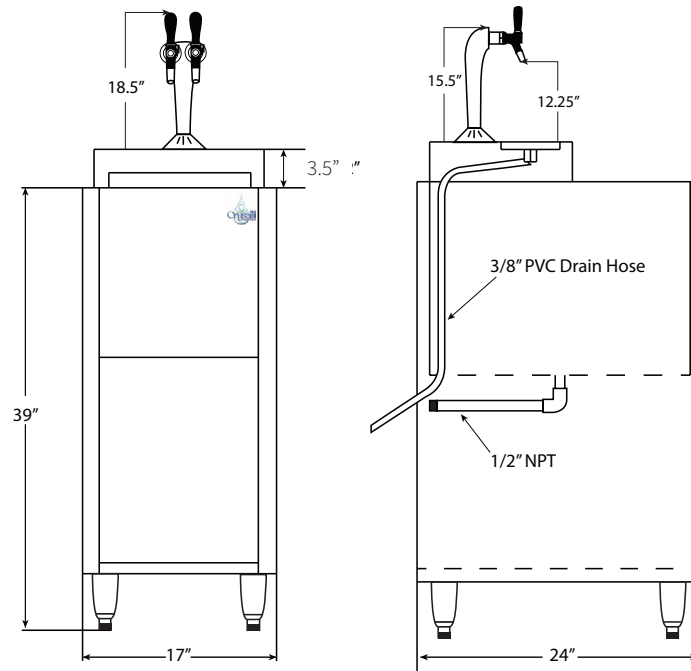


Sparkling & Chilled Water on Tap

- Engineered “soda-fast” cold-carbonation system for smaller, longer lasting bubbles
- Non-mechanical, ice cooled chilling. Manual fill with Cube Ice.
- All stainless steel construction
- Includes CBR-V2C draft tower with Ergonomic Tap Handles.
- 12.5” Bottle Clearance
- Flow rate adjustable faucets
- Plug & play design. Shipped fully assembled
- Available as a drop-in unit: CR-CPS-DI
- 304 stainless steel brushed finish

Specifications

- Electrical: 120v - 7 Amps
- Carbonator: 1/3 H.P.
- Ice bin: 40 lbs
- Slide open bin top
- Two Drains, drain pan and ice bin drains
- 17”W x 24”D x 62.75”H
- Weight: 115 lbs



- 3/8" Water inlet connector
- 3/8" Drain Pan hose 6'
- 1/4" CO2 hose with fitting
- 1/2" Ice Bin Drain fitting
- Slide open bin top

- Two Drains
- Drain Pan
- Ice bin drains
- Front access to carbonator and pump

Accessories:

- **CR-PC160-14FCV**
Primary High Pressure CO2
Regulator for CO2 tank



- **CR-KIT-CPS**
Installation Kit for CR-CPS model
series, includes: water filter fittings, 50
psi water pressure reducer valve, angle
stop adaptor and 8' 3/8 hose



- **CR-24FCP with Prefilter**
- **CR-24FC without Prefilter**
Twin filter system with compact
fibredyne filters, 19"H x 17"W 5 gpm,
30,000 gal, TOC & 1/2 micron filtration



- **Customer supplied CO2 Tank required**

