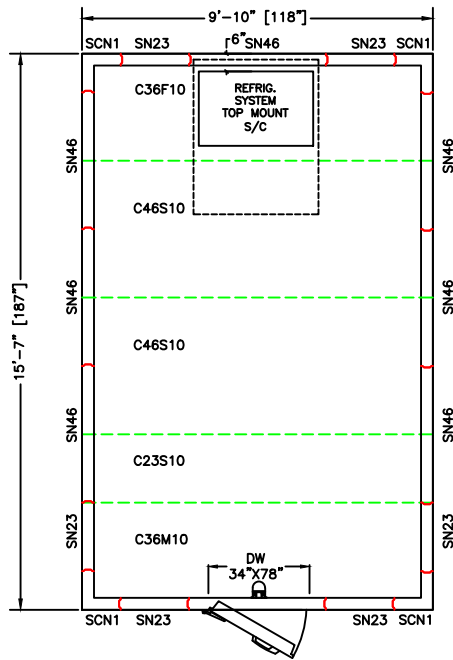
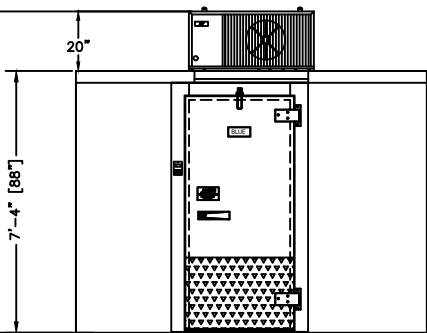


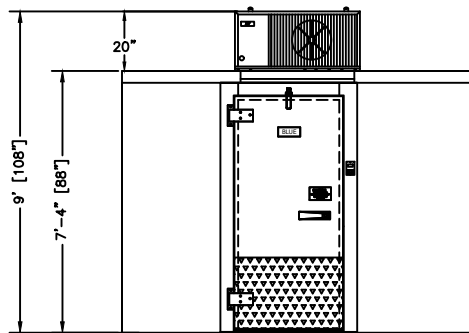
PLAN VIEW
RIGHT HINGE
SELECT



PLAN VIEW
LEFT HINGE
SELECT



ELEVATION
RIGHT HINGE



ELEVATION
LEFT HINGE

MODEL: BL1016-C-SC

INDOOR-NO FLOOR

COOLER 35°F

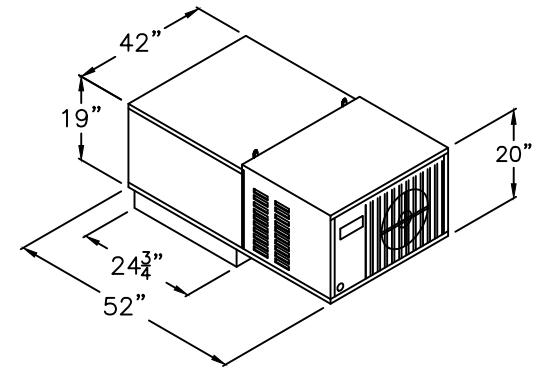
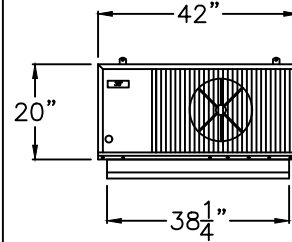
SELF CONTAINED REFRIGERATION

CUSTOMER APPROVAL

DATE: _____

SIGNATURE: _____

REFRIGERATION UNIT



IMPORTANT: ALLOW 2 FEET CLEARANCE ABOVE UNIT
DO NOT STORE OBJECTS IN FRONT OR THE SIDES OF THE UNIT.
FOLLOW OEM'S CLEARANCE GUIDELINES TO ENSURE PROPER OPERATION

REFRIGERATION DESIGN SPECIFICATIONS

| | |
|-------------------------|----------|
| WALK-IN AMBIENT TEMP: | 90°F |
| CONDENSER AMBIENT TEMP: | 95°F |
| PULLDOWN: | 24 Hours |
| HOLDING TEMP: | 35°F |
| OPENINGS PER HOUR: | 2 |

PRODUCT SPECIFICATIONS

| | |
|--------|-------------|
| MODEL: | BL1016-C-SC |
|--------|-------------|

| | |
|-------------------------------|--|
| WALK-IN SPECIFICATIONS | |
| INTERIOR/EXTERIOR FINISH | 26 GAUGE MILL EMBOSSED ACRYLUME OR 26 GAUGE STUCCO EMBOSSED GALVANIZED STEEL |
| ELECTRICAL (VOLTS/Hz/PH) | 115/60/1 |
| MAX AMP. | 0.8 |

| | |
|--|--------------|
| REFRIGERATION SYSTEM SPECIFICATIONS | |
| ELECTRICAL (VOLTS/Hz/PH) | 208-230/60/1 |
| AMPS | 12.3 |
| WEIGHT (LBS) | 260 |
| MATCHING NEMA RECEPTACLE | 6-20R |

| | |
|--|---|
| WALK-IN AND REFRIGERATION FREIGHT | |
| TOTAL SHIPPING WEIGHT (LBS) | 2155 |
| MAXIMUM PALLET SIZE | 48" X 96" X 102" HIGH 48" X 120" X 102" HIGH |
| NUMBERS OF PALLETS | 2 |

CONFIDENTIAL

THE DRAWINGS, TECHNICAL DATA, AND ALL OTHER INFORMATION SET FORTH IN THIS DOCUMENT COMPRISE TRADE SECRETS AND CONFIDENTIAL INFORMATION THAT IS THE EXCLUSIVE PROPERTY OF ARCTIC INDUSTRIES, LLC.

USE OF SUCH INFORMATION IS LIMITED TO THE PURPOSE FOR WHICH IT WAS PROVIDED AND NO RECIPIENT IS PERMITTED TO USE, COPY, OR DISCLOSE SUCH INFORMATION EXCEPT AS EXPRESSLY AUTHORIZED BY ARCTIC INDUSTRIES, LLC.

Arctic
WALK-IN COOLERS AND FREEZERS
MIAMI, FLORIDA
Phone: (305) 883-5581
LOS ANGELES, CALIFORNIA
Phone: (626) 508-0920

ETL US
Intertek
CONFIDENTIAL TO
UL STD #1

ETL
Intertek
CONFIDENTIAL TO
NSF STD #1

EISA