

Fusion

Product Specifications

ITEM NO: _____
 PROJECT: _____
 DATE: _____

Refrigerated Service Single Deck Case



MODEL SHOWN: GLDS4R

NOTE: SHOWN W/ OPTIONAL CUTAWAY END PANEL

- GLDS4R
- GLDS5R
- GLDS6R
- GLDS8R

Lengths include 1-1/8" end panels
 51"L x 47-7/8"D x 51-5/8"H
 62-7/8"L x 47-7/8"D x 51-5/8"H
 75-3/8"L x 47-7/8"D x 51-5/8"H
 99-3/4"L x 47-7/8"D x 51-5/8"H

STANDARD FEATURES

- Breeze™ w/EnergyWise s/c refrigeration
- Compressor air intake from rear and out front panel at toe kick. Front panel cannot be blocked.
- Corrosion resistant stainless steel tub & fan shroud
- Integrated average product temperature of 40°F or less
- LED 4000K top light(s)
- One year parts & labor; 5 year compressor warranty

Features	Standard	Options
EXTERIOR COLOR	<input type="checkbox"/> Laminated (non-premium) Confirm pattern/grain direction	<input type="checkbox"/> Laminated (premium) Confirm pattern/grain direction <input type="checkbox"/> Painted (stock colors, specify RAL#) <input type="checkbox"/> Stainless steel
INTERIOR COLOR	<input type="checkbox"/> Black	<input type="checkbox"/> Stainless steel
LOWER FRONT PANEL COLOR	<input type="checkbox"/> Painted - Black	<input type="checkbox"/> Stainless steel
REAR EXTERIOR COLOR	<input type="checkbox"/> Stainless steel rear exterior	<input type="checkbox"/> Painted - Black <input type="checkbox"/> Painted - White
TRIM COLOR	<input type="checkbox"/> Black	<input type="checkbox"/> Silver
BASE	<input type="checkbox"/> Casters w/ levelers (n/a w/ remote ref.)	<input type="checkbox"/> 6"H legs (n/a w/ remote ref.)
END PANEL LEFT	<input type="checkbox"/> Full end panel w/mirror interior	<input type="checkbox"/> Cutaway w/ glass <input type="checkbox"/> No end panel w/ synchronized defrost
END PANEL RIGHT	<input type="checkbox"/> Full end panel w/mirror interior	<input type="checkbox"/> Cutaway w/ glass <input type="checkbox"/> No end panel w/ synchronized defrost
FRONT GLASS	<input type="checkbox"/> Curved single pane, lift-up front glass w/o lock	<input type="checkbox"/> Flat angled single pane, lift-up front glass w/o lock
REAR WORK LEDGE	<input type="checkbox"/> Black Sanalite®	<input type="checkbox"/> Solid surface (specify color) <input type="checkbox"/> Stainless steel <input type="checkbox"/> White Sanalite®
UPPER REAR	<input type="checkbox"/> Acrylic rear sliding doors w/o lock	<input type="checkbox"/> Open
ELECTRICAL CONNECT	<input type="checkbox"/> 6' straight blade power cord (self-cont.)	<input type="checkbox"/> 6' locking power cord (self-cont.) <input type="checkbox"/> Electrical leads (remote)
REFRIGERATION	<input type="checkbox"/> Breeze™ w/EnergyWise s/c refrigeration	<input type="checkbox"/> NOTE: Remote only available w/rail base w/shims. N/A w/ levelers, casters or legs. <input type="checkbox"/> Note: Remote doesn't incl Conds unit. Floor drain reqd. <input type="checkbox"/> Remote w/thermostat, solenoid & TXV
MISCELLANEOUS		<input type="checkbox"/> Front glass lock <input type="checkbox"/> Rear door lock <input type="checkbox"/> Scale stand w/receptacle (requires separate circuit) <input type="checkbox"/> Second year parts & labor warranty (excludes compressor)
ACCESSORIES		<input type="checkbox"/> 2"H Full depth display riser(s) <input type="checkbox"/> Clean Sweep® coil cleaner (n/a w/remote) <input type="checkbox"/> Stainless steel condiment rail system

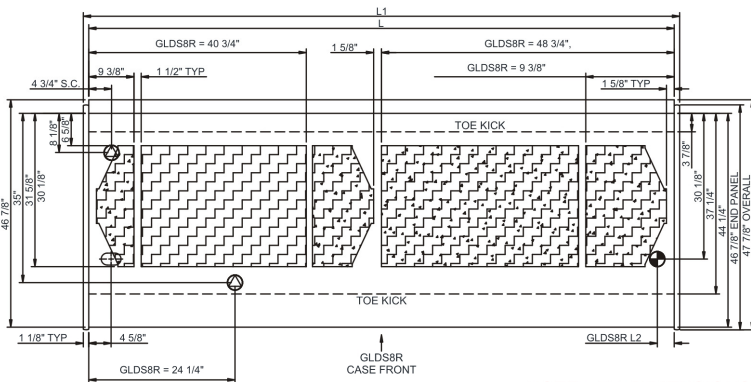
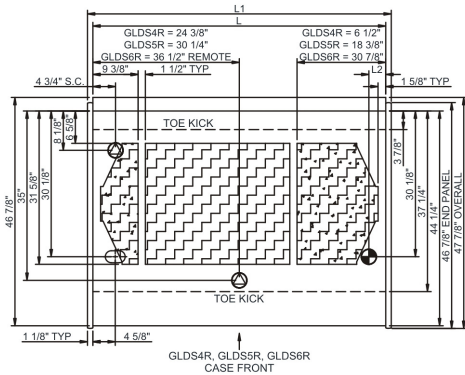
Fusion

Product Specifications

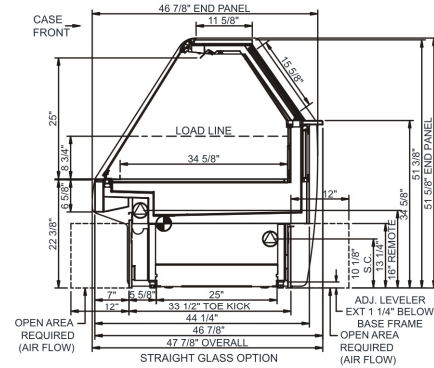
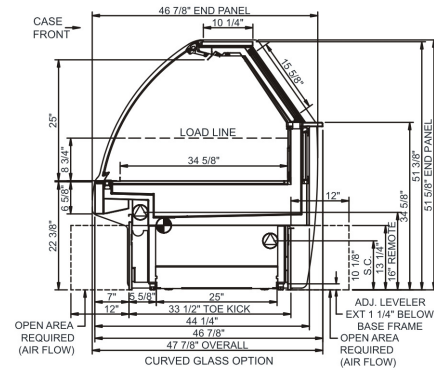
Intended Environment: Type I - Designed to operate in ambient conditions of 75°F with 55% relative humidity unless noted otherwise in system information below.

Zone	Intended Product To Be Displayed	Warmest Avg Prod Temp ° F
1	Unpackaged refrigerated products	40

PLAN VIEW



SIDE VIEW



NOTE: ALL DIMENSIONS APPROXIMATE

- ELECTRICAL JUNCTION BOX (SUPPLIED WITH 6\"/>
- REFRIGERATION LINE CONNECTION.
- REMOTE FLOOR SINK & UTILITIES ACCESS AREA.
- SELF-CONTAINED CASE SERVICE ACCESS AREA.
- DRY CASE SERVICE ACCESS AREA.

Model Technical Specifications																
Model	L"	L1"	L2"	System Circuit Volts			Phs	Freq	Amps ***	Watts	Wires	NEMA Plug	SST	Conv. Rack BTUH	Para. Rack BTUH	Est Wt
GLDS4R	48.75	51.00	3.50	Remote(Type I)	Circuit #1	110-120	1	60	1.53	106	2+G	Leads Multiple	20.00	1179	1092	1,050
				Remote(Type I)	Circuit #1	110-120	1	60	1.53	106	2+G	Leads Multiple	20.00	1179	1092	
				Self-Contained	Circuit #1	110-120	1	60	10.06	758	2+G	5-20P or L5-20P	N/A	N/A	N/A	
GLDS5R	60.63	62.88	3.50	Remote(Type I)	Circuit #1	110-120	1	60	1.99	168	2+G	Leads Multiple	20.00	1568	1452	1,150
				Remote(Type I)	Circuit #1	110-120	1	60	1.99	168	2+G	Leads Multiple	-	1566	1450	
				Self-Contained	Circuit #1	110-120	1	60	14.62	1,008	2+G	5-20P or L5-20P	N/A	N/A	N/A	
GLDS6R	73.13	75.38	3.50	Remote(Type I)	Circuit #1	110-120	1	60	2.29	82	2+G	Leads Multiple	20.00	1771	1640	1,250
				Remote(Type I)	Circuit #1	110-120	1	60	2.29	82	2+G	Leads Multiple	-	1771	1640	
				Self-Contained	Circuit #1	110-120	1	60	14.91	1,045	2+G	5-20P or L5-20P	N/A	N/A	N/A	
GLDS8R	97.50	99.75	3.50	Remote(Type I)	Circuit #1	110-120	1	60	2.29	216	2+G	Leads Multiple	20.00	2268	2100	1,400
				Remote(Type I)	Circuit #1	110-120	1	60	2.29	216	2+G	Leads Multiple	20.00	2268	2100	
				Self-Contained	Circuit #1	110-120	1	60	16.00	1,440	2+G	5-20P or L5-20P	N/A	N/A	N/A	

*** Does not include electric defrost on freezer models.

Regulatory Approvals:

All Models	Accordance with AHRI Std 1200 ETL Listed to UL 471 ETL Listed to CAN/CSA 22.2 No. 120 UL Sanitation to NSF Std 7
------------	---



In Accordance with
AHRI Std 1200

DOE 2017
Energy Efficiency
Compliant

Important Notes:

- 1) ELECTRICAL NOTE: If GFCI is required, a GFCI breaker MUST be used in lieu of a GFCI receptacle
- 2) Units are supplied with levelers. They must be adjusted during installation to ensure the unit is level and plumb. Dimensions reflect levelers extended 1 1/4"

WARNING: This product can expose you to chemicals, including Urethane (Ethyl Carbamate), which are known to the State of California to cause cancer and birth defects or other reproductive harm. For more information go to www.P65Warnings.ca.gov.



888 E. Porter Rd.
Muskegon, MI 49441
Ph. 231-798-8888
Fx. 231-798-4960
www.structuralconcepts.com

Note: Information is subject to change at any time.
Visit www.structuralconcepts.com for the most current specs.

Revised 3/27/2020

20030211