



T&S BRASS AND BRONZE WORKS, INC.
 2 Saddleback Cove / P.O. Box 1088
 Travelers Rest, SC 29690

Model No.
B-5125-12CRB8TP

Item No.

Travelers Rest, SC: 800-476-4103 • Simi Valley, CA: 800-423-0150 • Fax: 864-834-3518 • www.tsbrass.com

This Space for Architect/Engineer Approval

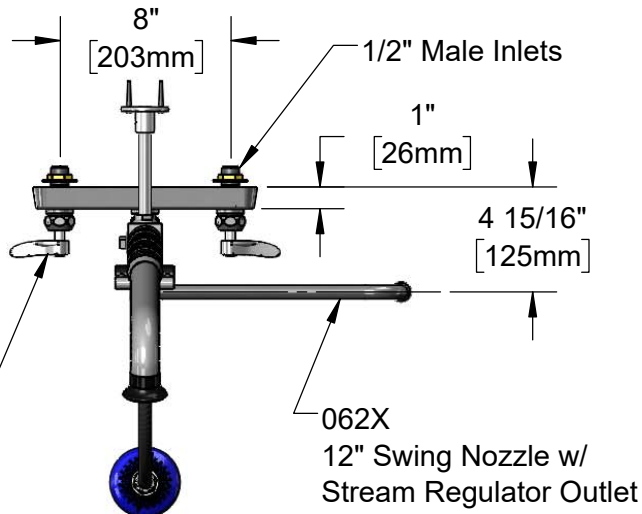
Job Name _____ Date _____

Model Specified _____ Quantity _____

Customer/Wholesaler _____

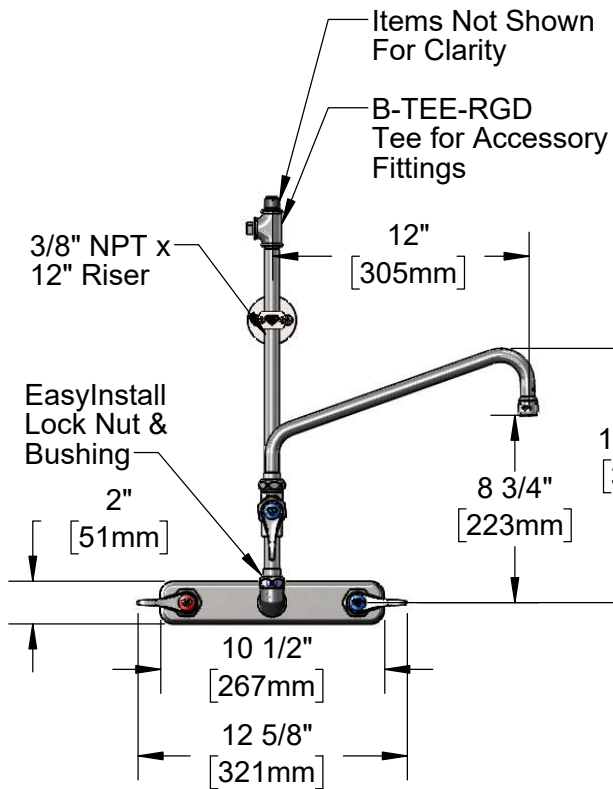
Contractor _____

Architect/Engineer _____



Quarter-Turn
 Cerama Cartridges w/
 Check Valves &
 Lever Handles w/
 Color Coded Indexes

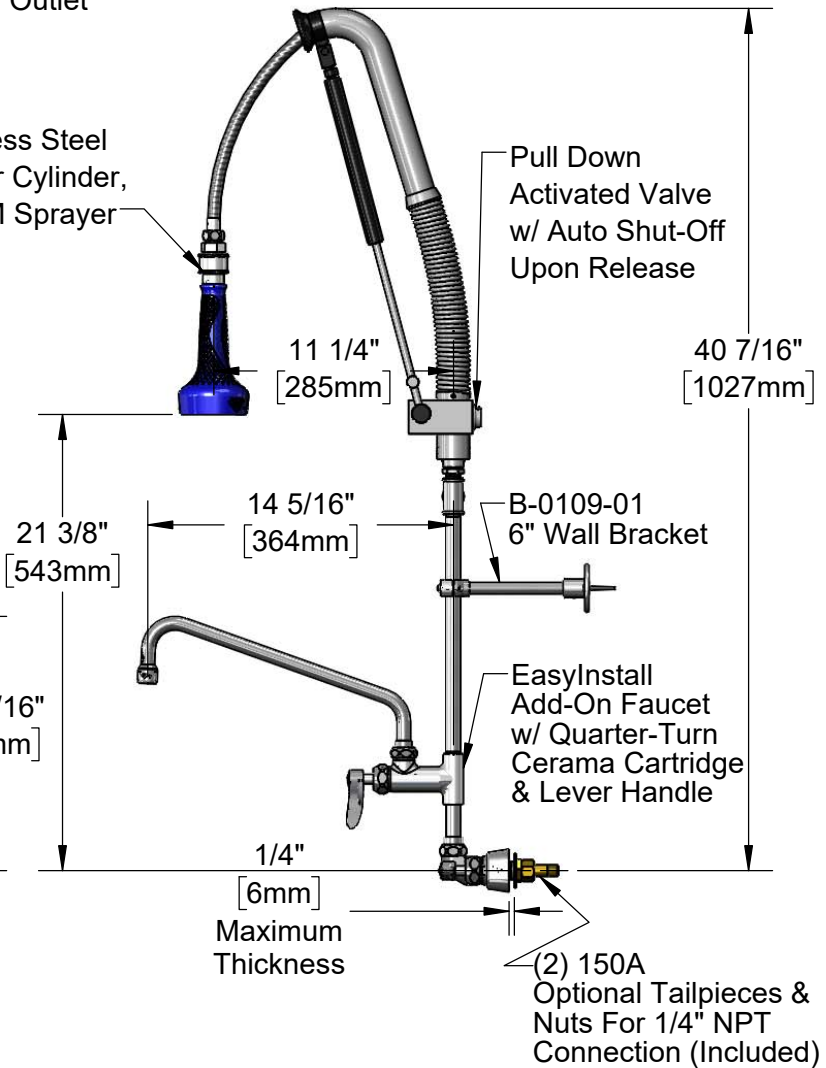
30" Flexible Stainless Steel
 Hose w/ Spring, Air Cylinder,
 Swivel & 1.07 GPM Sprayer



3/8" NPT x
 12" Riser

EasyInstall
 Lock Nut &
 Bushing
 2"
 [51mm]

Items Not Shown
 For Clarity
 B-TEE-RGD
 Tee for Accessory
 Fittings



Pull Down
 Activated Valve
 w/ Auto Shut-Off
 Upon Release

B-0109-01
 6" Wall Bracket

EasyInstall
 Add-On Faucet
 w/ Quarter-Turn
 Cerama Cartridge
 & Lever Handle

(2) 150A
 Optional Tailpieces &
 Nuts For 1/4" NPT
 Connection (Included)

Product Specifications:
 EasyInstall Pull-Down Pre-Rinse Unit: 8" Wall Mount Workboard
 Faucet, Quarter-Turn Cerama Cartridges w/ Check Valves, Add-On
 Faucet w/ 12" Swing Nozzle, Lever Handles, 12" Riser, 30" Flexible
 Stainless Steel Hose, 1.07 GPM Sprayer, 6" Wall Bracket, Accessory
 Tee & 1/2" NPT Male Inlets

Product Compliance:
 ASME A112.18.1 / CSA B125.1
 NSF 61 - Section 9
 NSF 372 (Low Lead Content)
 2019 DOE PRSV - Class II



T&S BRASS AND BRONZE WORKS, INC.

2 Saddleback Cove / P.O. Box 1088
Travelers Rest, SC 29690

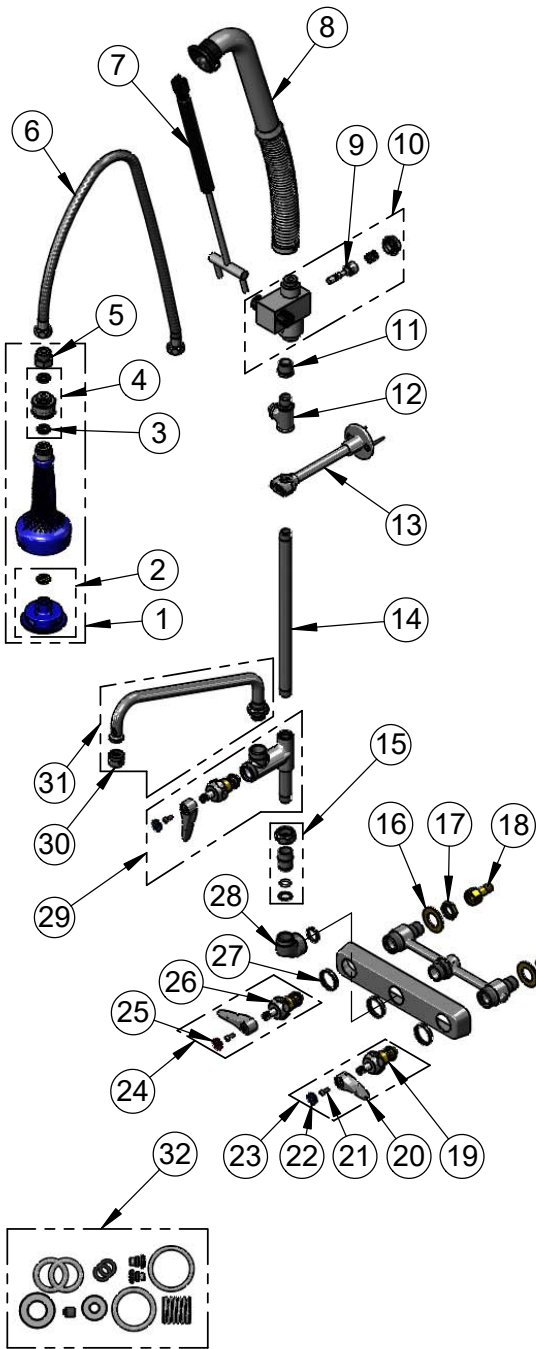
Model No.

B-5125-12CRB8TP

Item No.

Travelers Rest, SC: 800-476-4103 • Simi Valley, CA: 800-423-0150 • Fax: 864-834-3518 • www.tsbrass.com

ITEM NO.	SALES NO.	DESCRIPTION
1	019898-40	1.07 GPM Sprayer w/ Swivel
2	108SF-RK	Spray Face Repair Kit
3	001014-45	Washer, B-0100 Hose Barrel
4	018200-40	3/8" NPT Live Swivel
5	005221-25	7/8"-20 x 1/2" BSPF Adapter
6	019901-45	30" Stainless Steel Braided Hose w/ 1/2" NPSM Threads
7	020062-45	Air Cylinder Repair Kit
8	020060-45	Spring & Tube Repair Kit
9	020061-45	Valve Stem Repair Kit
10	020063-45	Valve Body Repair Kit
11	001359-40	Hex Bushing, 1/2" NPT Male x 3/8" NPT Female
12	B-TEE-RGD	3/8" NPT Rigid Tee
13	B-0109-01	6" Wall Bracket
14	000366-40	3/8" NPT x 12" Riser
15	EZ-K	EasyInstall Kit: Nut, Bushing, O-ring & Lock Washer
16	000999-45	Brass Lock Washer
17	002954-45	Shank Lock Nut
18	150A	1/4" NPT Tailpiece & Nut
19	012394-25NS	Quarter-Turn Cerama Cartridge, RTC w/ Check Valve
20	001638-45NS	Lever Handle (New Style)
21	000925-45	Lab Handle Screw
22	018506-19NS	Blue Button Index, Press-in
23	019641-25	Quarter-Turn Cerama Cartridge, RTC w/ Check Valve, Lever Handle, Index & Screw
24	019640-25	Quarter-Turn Cerama Cartridge, LTC w/ Check Valve, Lever Handle, Index & Screw
25	001193-19NS	Red Button Index, Press-in
26	012395-25NS	Quarter-Turn Cerama Cartridge, LTC w/ Check Valve
27	019376-40	Escutcheon Lock Nut
28	014200-45	B-1100 Knob
29	B-0155-CR-LN	EasyInstall Cerama Add-On Faucet, Less Nozzle
30	B-PT	Full Flow Stream Regulator, 55/64-27
31	062X	12" Swing Nozzle w/ Stream Regulator Outlet
32	020064-45	PRU Control Valve Seal Repair Kit



Product Specifications:

EasyInstall Pull-Down Pre-Rinse Unit: 8" Wall Mount Workboard Faucet, Quarter-Turn Cerama Cartridges w/ Check Valves, Add-On Faucet w/ 12" Swing Nozzle, Lever Handles, 12" Riser, 30" Flexible Stainless Steel Hose, 1.07 GPM Sprayer, 6" Wall Bracket, Accessory Tee & 1/2" NPT Male Inlets

Product Compliance:

ASME A112.18.1 / CSA B125.1
NSF 61 - Section 9
NSF 372 (Low Lead Content)
2019 DOE PRSV - Class II