



Discover the Art of Display...

Project Name: _____

Item #: _____ Quantity: _____

STANDARD FEATURES

- Muro H11-1 – (1) shelf
- Muro H11-2 – (2) shelves
- Double pane side glass ends
- Dixell digital control
- Diffused LED lighting 3000°K
- Straight or inclined shelf/shelves
- Polished stainless steel interior and exterior
- Self-Contained – Floor Sink Recommended
- Adjustable feet
- Cases ship standard stainless steel interior and exterior
- Roll down night curtain
- Self contained bottom mount (BM) – 28” Deep (standard) or rear mount- RM – 41” deep (optional)
- Muro H11-1-A90X and Muro H11-2-A90X models: available standard remote condensing unit only

OPTIONS

- Stainless steel side panels in lieu of glass
- Remote/water cooled condensing unit
- Remote condensing unit with back shelving: 30 7/16” total depth
- Self contained rear mount- RM – 41” deep w/ back shelving
- Roll down night shutter with lock – length increases and solid sides are required. Adds 1-3/4” to each side
- Shelf/shelves fence for inclined position
- Epoxy RAL color interior and exterior over stainless steel
- RAL color/custom plastic wood laminate exterior front and sides
- Unfinished panels to accept millwork by others
- Custom height chassis modification
- Condensate heated pan with fan
- Casters

MURO H11-1 & MURO H11-2

Self-Serve Air Screen Refrigeration Showcase

MURO H11-1 MODELS: MURO H11-1-1000, MURO H11-1-1200, MURO H11-1-1500, MURO H11-1-1800, MURO H11-1-2000, MURO H11-1-2400, MURO H11-1-A90SQ, MURO H11-1-A90X

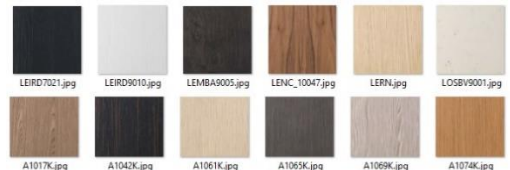
MURO H11-2 MODELS: MURO H11-2-1000, MURO H11-2-1200, MURO H11-2-1500, MURO H11-2-1800, MURO H11-2-2000, MURO H11-2-2400, MURO H11-2-A90SQ, MURO H11-2-A90X



Photo shown with remote application and custom front fascia options



Photo shown with self contained bottom mount and custom front fascia options



Visit our website for more finishing options and RAL colors
www.oscartek.com

*Oscartek reserves the right to change, modify, discontinue, or change any features, sizes, or capacity on any model without prior notice.

OSCARTEK®
512 South Airport Blvd., South San Francisco, CA 94080
Tel: 650.342.2400 | Fax: 650.342.7400
www.oscartek.com





Project Name: _____
 Item #: _____ Quantity: _____

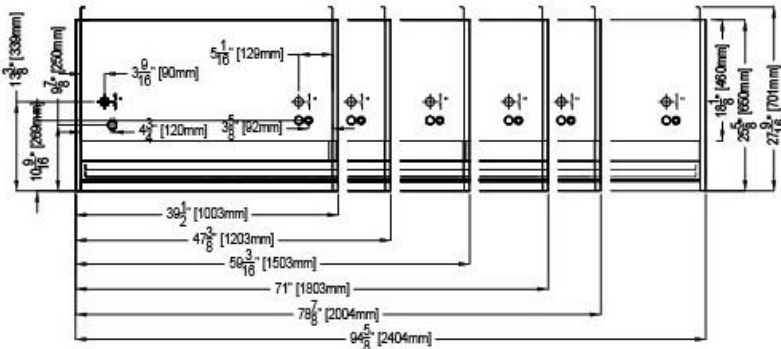
MURO H11-1 & MURO H11-2

MURO H11-1 MODELS: MURO H11-1-1000, MURO H11-1-1200, MURO H11-1-1500, MURO H11-1-1800, MURO H11-1-2000, MURO H11-1-2400, MURO H11-1-A90SQ, MURO H11-1-A90X

MURO H11-2 MODELS: MURO H11-2-1000, MURO H11-2-1200, MURO H11-2-1500, MURO H11-2-1800, MURO H11-2-2000, MURO H11-2-2400, MURO H11-2-A90SQ, MURO H11-2-A90X

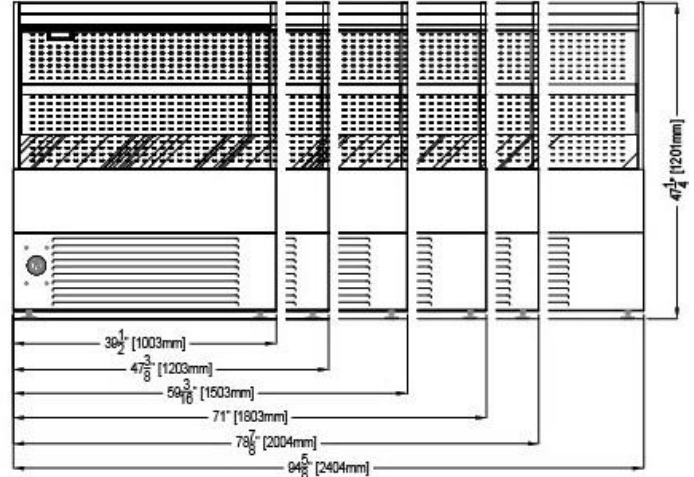
STANDARD: MURO H11-1 SELF SERVE – SELF CONTAINED

PLAN VIEWS

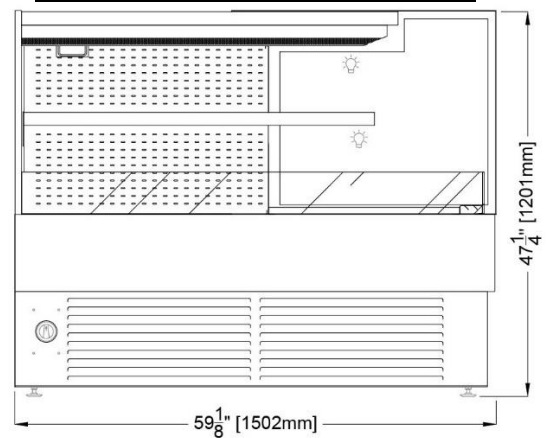
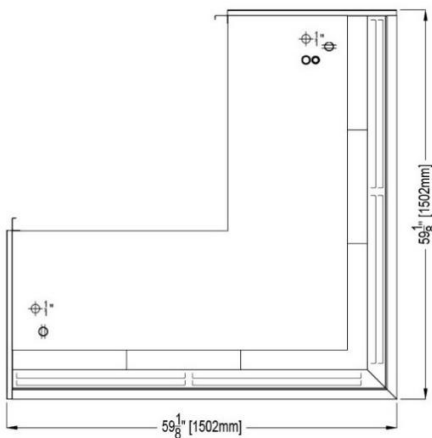


STANDARD: MURO H11-1 A90SQ PLAN VIEW

FRONT ELEVATIONS: (CUSTOMER SIDE)



STANDARD: MURO H11-1 A90SQ FRONT ELEVATION (CUSTOMER SIDE)



ELECTRICAL LEGEND

∞	REFRIGERATION LINES
⊕ 1"	DRAIN
⊕	POWER

*Oscartek reserves the right to change, modify, discontinue, or change any features, sizes, or capacity on any model without prior notice.

OSCARTEK®
 512 South Airport Blvd., South San Francisco, CA 94080
 Tel: 650.342.2400 | Fax: 650.342.7400
 www.oscartek.com



MURO H11-1 & MURO H11-2

MURO H11-1 MODELS: MURO H11-1-1000, MURO H11-1-1200, MURO H11-1-1500, MURO H11-1-1800, MURO H11-1-2000, MURO H11-1-2400, MURO H11-1-A90SQ, MURO H11-1-A90X

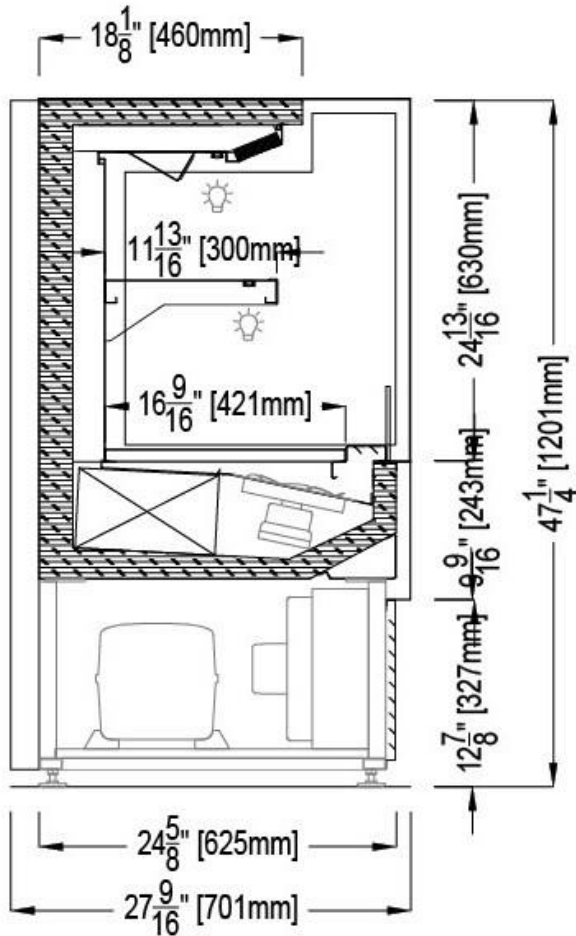
MURO H11-2 MODELS: MURO H11-2-1000, MURO H11-2-1200, MURO H11-2-1500, MURO H11-2-1800, MURO H11-2-2000, MURO H11-2-2400, MURO H11-2-A90SQ, MURO H11-2-A90X

STANDARD:

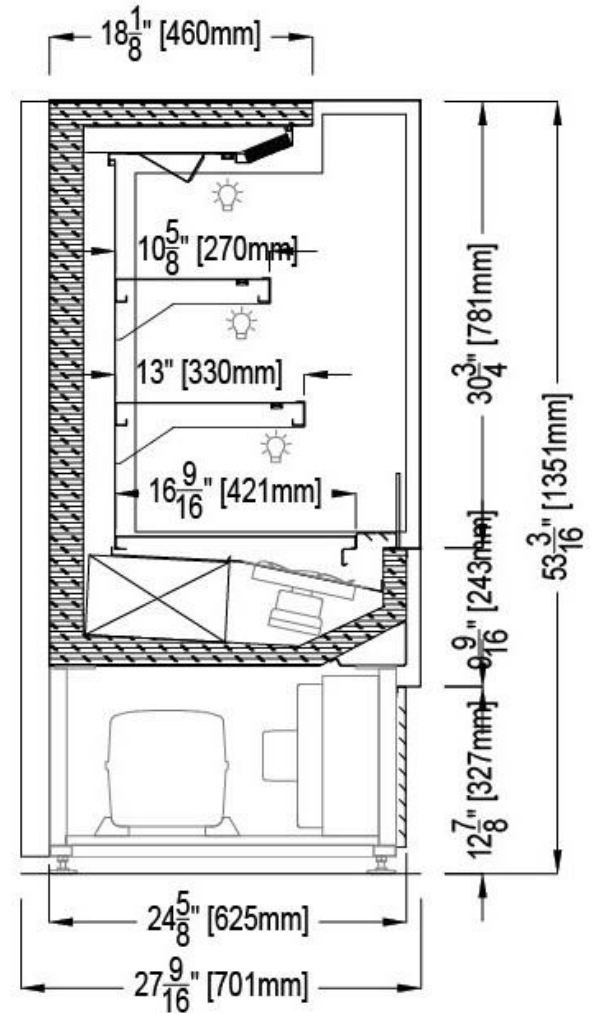
MURO H11-1 & MURO H11-2 – SELF CONTAINED: BOTTOM MOUNT (BM)

SECTION VIEWS

**MURO H11-1
SELF CONTAINED: BM**



**MURO H11-2
SELF CONTAINED: BM**



*Oscartek reserves the right to change, modify, discontinue, or change any features, sizes, or capacity on any model without prior notice.

OSCARTEK®

512 South Airport Blvd., South San Francisco, CA 94080

Tel: 650.342.2400 | Fax: 650.342.7400

www.oscartek.com

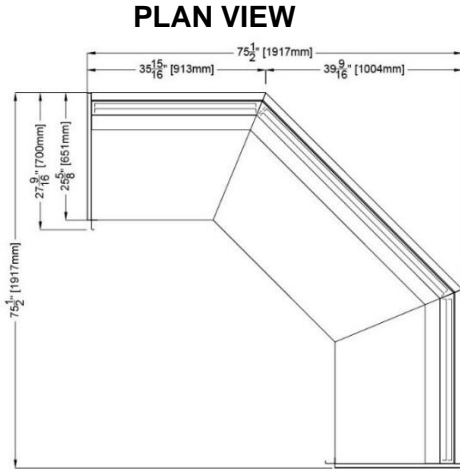


MURO H11-1 & MURO H11-2

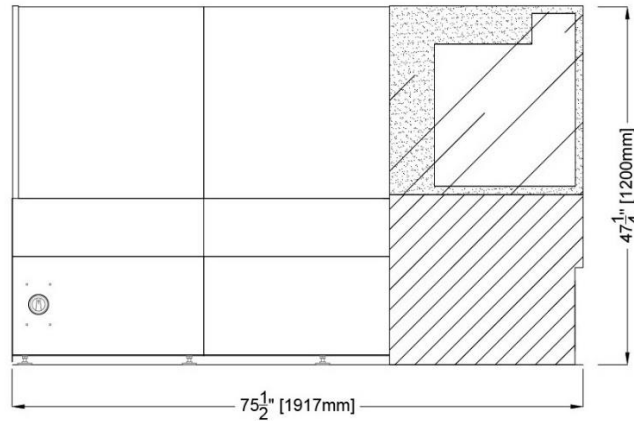
MURO H11-1 MODELS: MURO H11-1-1000, MURO H11-1-1200, MURO H11-1-1500, MURO H11-1-1800, MURO H11-1-2000, MURO H11-1-2400, MURO H11-1-A90SQ, MURO H11-1-A90X

MURO H11-2 MODELS: MURO H11-2-1000, MURO H11-2-1200, MURO H11-2-1500, MURO H11-2-1800, MURO H11-2-2000, MURO H11-2-2400, MURO H11-2-A90SQ, MURO H11-2-A90X

STANDARD: MURO H11-1 A90X – STANDARD REMOTE CONDENSING UNIT

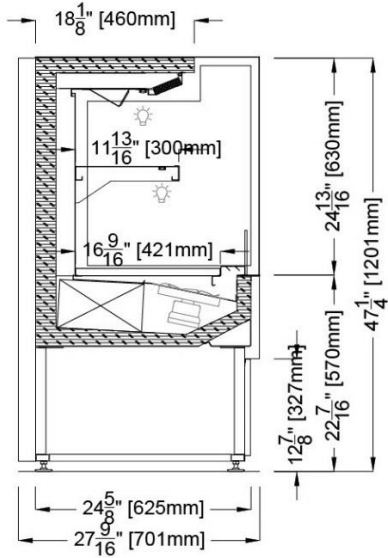


REAR ELEVATION: (OPERATOR SIDE)

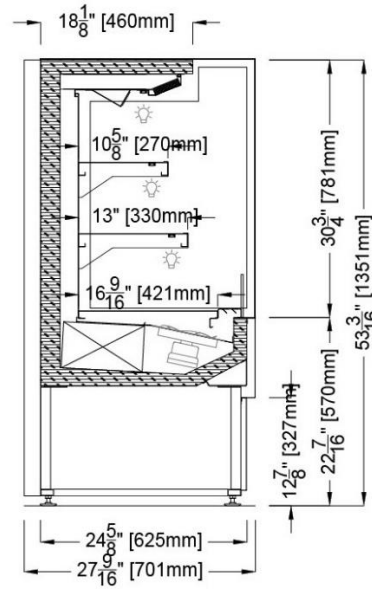


STANDARD: MURO H11-1 & MURO H11-2 A90X – STANDARD REMOTE CONDENSING UNIT SECTIONS

MURO H11-1 A90X REMOTE CONDENSING UNIT



MURO H11-2 A90X REMOTE CONDENSING UNIT



*Oscartek reserves the right to change, modify, discontinue, or change any features, sizes, or capacity on any model without prior notice.

MURO H11-1 & MURO H11-2

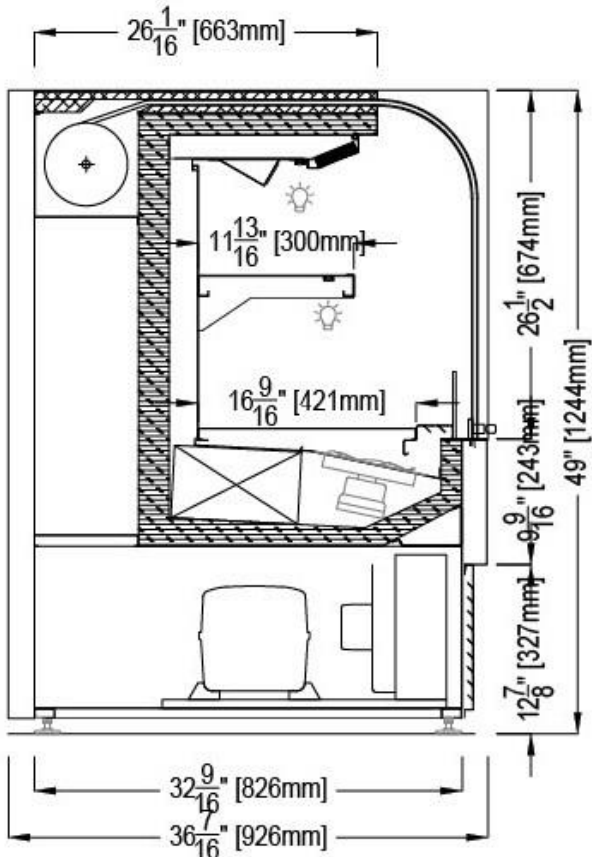
MURO H11-1 MODELS: MURO H11-1-1000, MURO H11-1-1200, MURO H11-1-1500, MURO H11-1-1800, MURO H11-1-2000, MURO H11-1-2400, MURO H11-1-A90SQ, MURO H11-1-A90X

MURO H11-2 MODELS: MURO H11-2-1000, MURO H11-2-1200, MURO H11-2-1500, MURO H11-2-1800, MURO H11-2-2000, MURO H11-2-2400, MURO H11-2-A90SQ, MURO H11-2-A90X

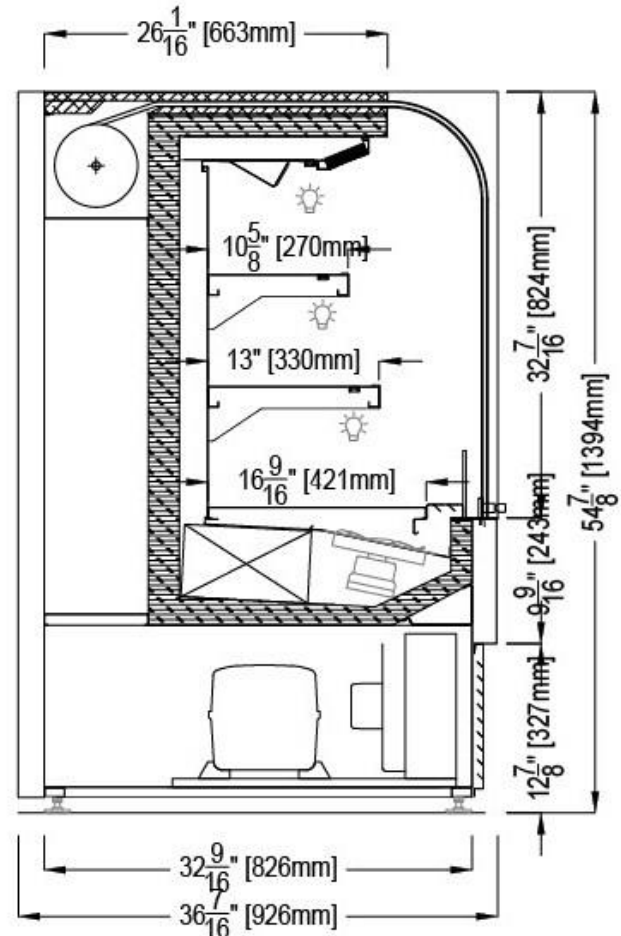
OPTIONALS:

MURO H11-1 & MURO H11-2 - SELF CONTAINED: BOTTOM MOUNT (BM) – ROLL DOWN SHUTTER WITH LOCK
SECTION VIEWS

**MURO H11-1 SELF CONTAINED:
BM – NIGHT SHUTTER W/ LOCK**



**MURO H11-2 SELF CONTAINED:
BM – NIGHT SHUTTER W/ LOCK**



*Oscartek reserves the right to change, modify, discontinue, or change any features, sizes, or capacity on any model without prior notice.

MURO H11-1 & MURO H11-2

MURO H11-1 MODELS: MURO H11-1-1000, MURO H11-1-1200, MURO H11-1-1500, MURO H11-1-1800, MURO H11-1-2000, MURO H11-1-2400, MURO H11-1-A90SQ, MURO H11-1-A90X

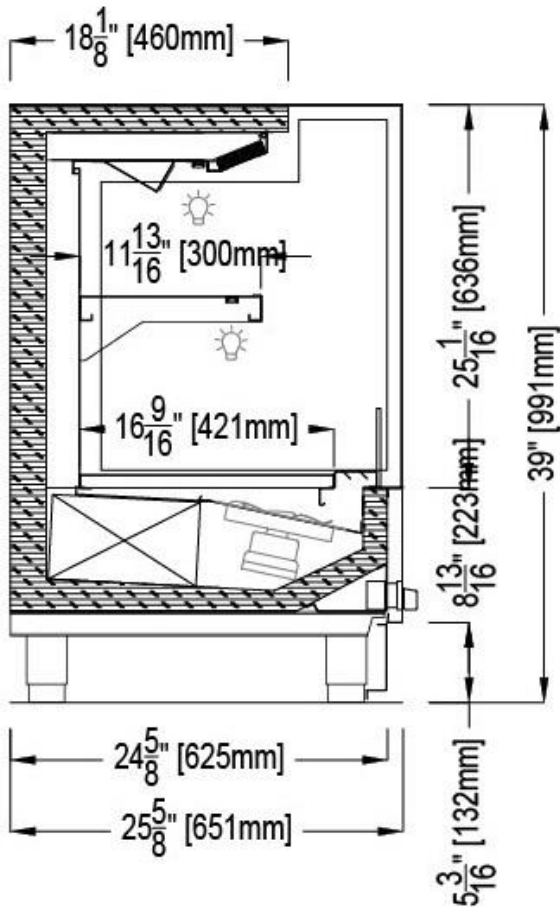
MURO H11-2 MODELS: MURO H11-2-1000, MURO H11-2-1200, MURO H11-2-1500, MURO H11-2-1800, MURO H11-2-2000, MURO H11-2-2400, MURO H11-2-A90SQ, MURO H11-2-A90X

OPTIONALS:

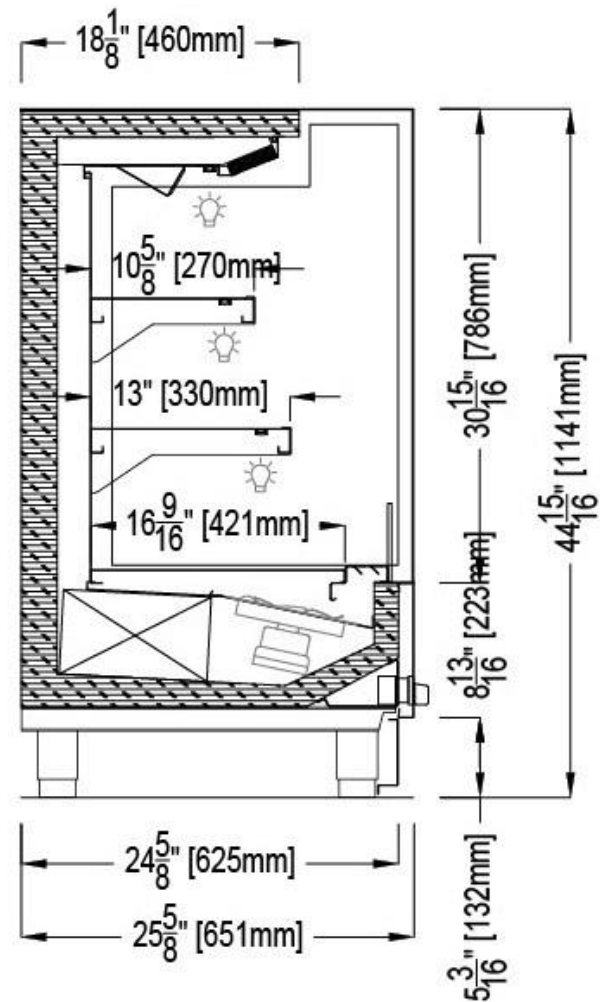
MURO H11-1 & MURO H11-2 – REMOTE CONDENSING UNIT

SECTION VIEWS

**MURO H11-1
REMOTE CONDENSING UNIT**



**MURO H11-2
REMOTE CONDENSING UNIT**



*Oscartek reserves the right to change, modify, discontinue, or change any features, sizes, or capacity on any model without prior notice.

MURO H11-1 & MURO H11-2

MURO H11-1 MODELS: MURO H11-1-1000, MURO H11-1-1200, MURO H11-1-1500, MURO H11-1-1800, MURO H11-1-2000, MURO H11-1-2400, MURO H11-1-A90SQ, MURO H11-1-A90X

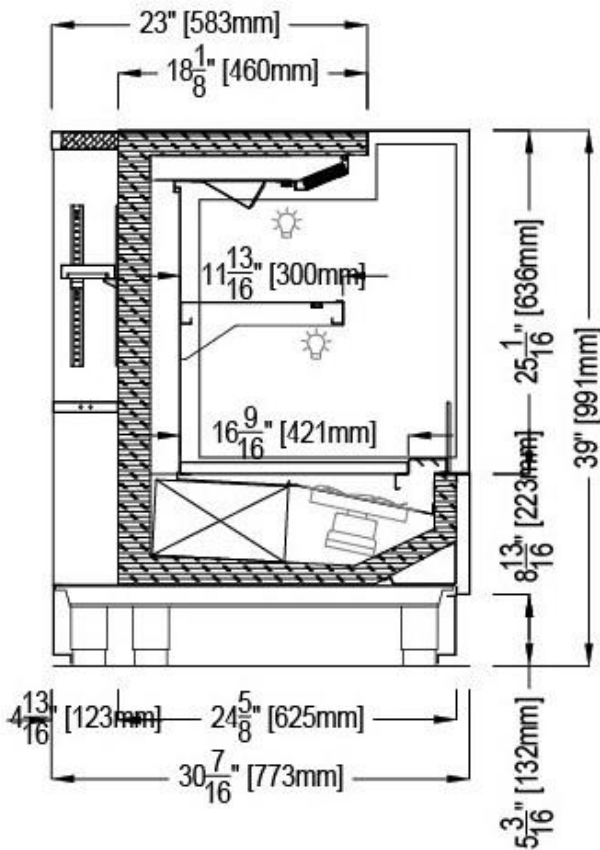
MURO H11-2 MODELS: MURO H11-2-1000, MURO H11-2-1200, MURO H11-2-1500, MURO H11-2-1800, MURO H11-2-2000, MURO H11-2-2400, MURO H11-2-A90SQ, MURO H11-2-A90X

OPTIONALS:

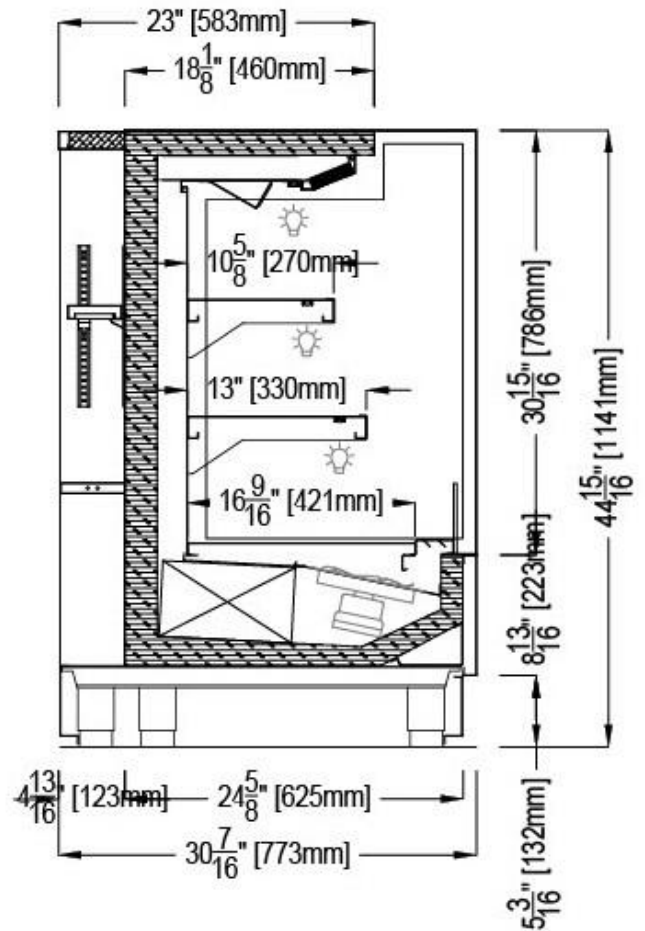
MURO H11-1 & MURO H11-2 – REMOTE CONDENSING UNIT WITH BACK SHELVING

SECTION VIEWS

MURO H11-1: REMOTE CONDENSING UNIT W/ BACK SHELVING



MURO H11-2: REMOTE CONDENSING UNIT W/ BACK SHELVING



*Oscartek reserves the right to change, modify, discontinue, or change any features, sizes, or capacity on any model without prior notice.

MURO H11-1 & MURO H11-2

MURO H11-1 MODELS: MURO H11-1-1000, MURO H11-1-1200, MURO H11-1-1500, MURO H11-1-1800, MURO H11-1-2000, MURO H11-1-2400, MURO H11-1-A90SQ, MURO H11-1-A90X

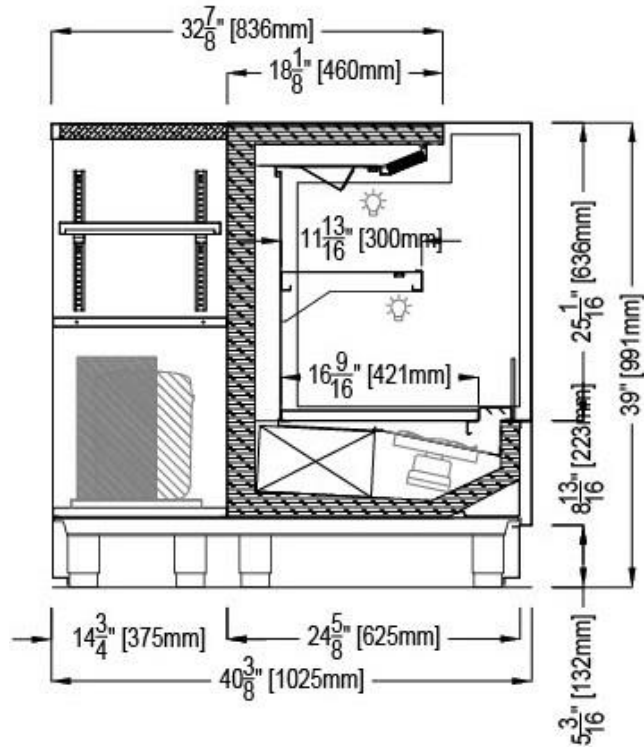
MURO H11-2 MODELS: MURO H11-2-1000, MURO H11-2-1200, MURO H11-2-1500, MURO H11-2-1800, MURO H11-2-2000, MURO H11-2-2400, MURO H11-2-A90SQ, MURO H11-2-A90X

OPTIONALS:

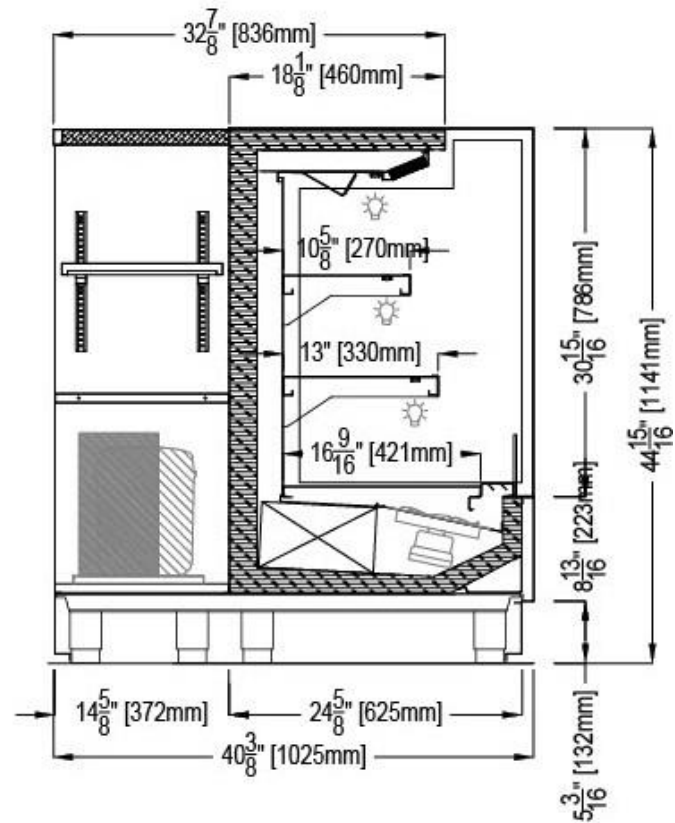
MURO H11-1 & MURO H11-2 – SELF CONTAINED REAR MOUNT (RM) WITH BACK SHELVING

SECTION VIEWS

MURO H11-1: SELF CONTAINED RM W/ BACK SHELVING



MURO H11-2: SELF CONTAINED RM W/ BACK SHELVING



*Oscartek reserves the right to change, modify, discontinue, or change any features, sizes, or capacity on any model without prior notice.



Project Name: _____
 Item #: _____ Quantity: _____

MURO H11-1 & MURO H11-2

MURO H11-1 MODELS: MURO H11-1-1000, MURO H11-1-1200, MURO H11-1-1500, MURO H11-1-1800, MURO H11-1-2000, MURO H11-1-2400, MURO H11-1-A90SQ, MURO H11-1-A90X

MURO H11-2 MODELS: MURO H11-2-1000, MURO H11-2-1200, MURO H11-2-1500, MURO H11-2-1800, MURO H11-2-2000, MURO H11-2-2400, MURO H11-2-A90SQ, MURO H11-2-A90X

MURO H11-1 SELF SERVE AIR SCREEN REFRIGERATION					
TECHNICAL FEATURES		MODELS			
		MURO H11-1-1000 (MUROH11391S)	MURO H11-1-1200 (MUROH11471S)	MURO H11-1-1500 (MUROH11591S)	MURO H11-1-1800 (MUROH11711S)
External Dimensions (L-D-H) Inches-MM	Inches MM	* 39 1/2" - 27 9/16" - 47 1/4" *1003 - 701 - 1201	*47 3/8" - 27 9/16" - 47 1/4" *1203 - 701 - 1201	*59 3/16" - 27 9/16" - 47 1/4" *1503 - 701 - 1201	*71" - 27 9/16" - 47 1/4" *1803 - 701 - 1201
Crated Dimensions (L-D-H) Inches-MM	Inches MM	46" - 33" - 54" 1168 - 838 - 1371	55" - 33" - 54" 1397 - 838 - 1371	66" - 33" - 54" 1676 - 838 - 1371	77" - 33" - 54" 1955 - 838 - 1371
Operating Temperature	°F	40°F	40°F	40°F	40°F
BTU's @ +14°F Evap Temperature	**BTU'S	**3800	**4500	**5200	**5800
Electric Supply	(V/Ph/Hz)	208-220/1/60	208-220/1/60	208-220/1/60	208-220/1/60
Power Consumption	(W/A)	1300/6.2	1350/6.5	1450/7.6	1500/7.9
Climate Class	°F/H.R.	75°F-55%RH	75°F-55%RH	75°F-55%RH	75°F-55%RH
Refrigerant Gas	Type	R404A / R452A	R404A / R452A	R404A / R452A	R404A / R452A
Pipe Size (Inches)	Suction, Liquid	1/2" Suction, 1/4" Liquid	5/8" Suction, 5/16" Liquid	5/8" Suction, 5/16" Liquid	5/8" Suction, 5/16" Liquid
Net Weights	Lb	200	240	265	330
Crated Weights	Lb	280	320	345	410
*DIMENSIONS ARE WITH POLISHED S/S SIDES					
**ACTUAL BTU'S WILL VARY. YOU MUST RELY ON PRODUCTION DRAWINGS SUBMITTED PER EACH PROJECT.					

*Oscartek reserves the right to change, modify, discontinue, or change any features, sizes, or capacity on any model without prior notice.

OSCARTEK®
 512 South Airport Blvd., South San Francisco, CA 94080
 Tel: 650.342.2400 | Fax: 650.342.7400
 www.oscartek.com





Project Name: _____
 Item #: _____ Quantity: _____

MURO H11-1 & MURO H11-2

MURO H11-1 MODELS: MURO H11-1-1000, MURO H11-1-1200, MURO H11-1-1500, MURO H11-1-1800, MURO H11-1-2000, MURO H11-1-2400, MURO H11-1-A90SQ, MURO H11-1-A90X

MURO H11-2 MODELS: MURO H11-2-1000, MURO H11-2-1200, MURO H11-2-1500, MURO H11-2-1800, MURO H11-2-2000, MURO H11-2-2400, MURO H11-2-A90SQ, MURO H11-2-A90X

MURO H11-1 SELF SERVE AIR SCREEN REFRIGERATION					
TECHNICAL FEATURES		MODELS			
		MURO H11-1-2000 (MUROH11791S)	MURO H11-1-2400 (MUROH11941S)	MURO H11-1-A90SQ (MUROH1190SQ1S)	MURO H11-1-A90X
External Dimensions (L-D-H) Inches-MM	Inches MM	*78 7/8" - 27 9/16" - 47 1/4" *2004 - 701 - 1201	*94 5/8" - 27 9/16" - 47 1/4" *2404 - 701 - 1201	*59 1/8" - 27 9/16" - 47 1/4" *1502 - 701 - 1201	*75 1/2" - 27 9/16" - 47 1/4" *1917- 701 - 1201
Crated Dimensions (L-D-H) Inches-MM	Inches MM	84" - 33" - 54" 2133 - 838 - 1371	101" - 33" - 54" 2565 - 838 - 1371	66" - 33" - 54" 1676 - 838 - 1371	84" - 84" - 54" 2134 - 2134 - 1371
Operating Temperature	°F	40°F	40°F	40°F	40°F
BTU's @ +14°F Evap Temperature	**BTU'S	**6500	**7500	**6500	**9000 @ +10°F
Electric Supply	(V/Ph/Hz)	208-220/1/60	208-220/1/60	208-220/1/60	208-220/1/60
Power Consumption	(W/A)	1600/8.0	1900/8.8	1600/8.0	1950/10.0
Climate Class	°F /H.R.	75°F-55%RH	75°F-55%RH	75°F-55%RH	75°F-55%RH
Refrigerant Gas	Type	R404A / R452A	R404A / R452A	R404A / R452A	R404A / R452A
Pipe Size (Inches)	Suction, Liquid	5/8" Suction, 5/16" Liquid	5/8" Suction, 5/16" Liquid	5/8" Suction, 5/16" Liquid	5/8" Suction, 5/16" Liquid
Net Weights	Lb	375	460	375	460
Crated Weights	Lb	455	540	455	540
*DIMENSIONS ARE WITH POLISHED S/S SIDES					
**ACTUAL BTU'S WILL VARY. YOU MUST RELY ON PRODUCTION DRAWINGS SUBMITTED PER EACH PROJECT.					

*Oscartek reserves the right to change, modify, discontinue, or change any features, sizes, or capacity on any model without prior notice.

OSCARTEK®
 512 South Airport Blvd., South San Francisco, CA 94080
 Tel: 650.342.2400 | Fax: 650.342.7400
 www.oscartek.com





Discover the Art of Display...

Project Name: _____
 Item #: _____ Quantity: _____

MURO H11-1 & MURO H11-2

MURO H11-1 MODELS: MURO H11-1-1000, MURO H11-1-1200, MURO H11-1-1500, MURO H11-1-1800, MURO H11-1-2000, MURO H11-1-2400, MURO H11-1-A90SQ, MURO H11-1-A90X

MURO H11-2 MODELS: MURO H11-2-1000, MURO H11-2-1200, MURO H11-2-1500, MURO H11-2-1800, MURO H11-2-2000, MURO H11-2-2400, MURO H11-2-A90SQ, MURO H11-2-A90X

MURO H11-2 SELF SERVE AIR SCREEN REFRIGERATION					
TECHNICAL FEATURES		MODELS			
		MURO H11-2-1000 (MUROH11392S)	MURO H11-2-1200 (MUROH11472S)	MURO H11-2-1500 (MUROH11592S)	MURO H11-2-1800 (MUROH11712S)
External Dimensions (L-D-H) Inches-MM	Inches MM	* 39 1/2" - 27 9/16" - 53 3/16" *1003 - 701 - 1351	*47 3/8" - 27 9/16" - 53 3/16" *1203 - 701 - 1351	*59 3/16" - 27 9/16" - 53 3/16" *1503 - 701 - 1351	*71" - 27 9/16" - 53 3/16" *1803 - 701 - 1351
Crated Dimensions (L-D-H) Inches-MM	Inches MM	46" - 33" - 60" 1168 - 838 - 1524	55" - 33" - 60" 1397 - 838 - 1524	66" - 33" - 60" 1676 - 838 - 1524	77" - 33" - 60" 1955 - 838 - 1524
Operating Temperature BTU's @ +14°F Evap Temperature	°F **BTU'S	40°F **5200	40°F **6200	40°F **6500	40°F **7200
Electric Supply	(V/Ph/Hz)	208-220/1/60	208-220/1/60	208-220/1/60	208-220/1/60
Power Consumption	(W/A)	1350/6.5	1400/7.5	1500/7.9	1600/8.0
Climate Class	°F /H.R.	75°F-55%RH	75°F-55%RH	75°F-55%RH	75°F-55%RH
Refrigerant Gas	Type	R404A / R452A	R404A / R452A	R404A / R452A	R404A / R452A
Pipe Size (Inches)	Suction, Liquid	5/8" Suction, 5/16" Liquid	5/8" Suction, 5/16" Liquid	5/8" Suction, 5/16" Liquid	5/8" Suction, 5/16" Liquid
Net Weights	Lb	220	265	285	350
Crated Weights	Lb	310	345	365	430
*DIMENSIONS ARE WITH POLISHED S/S SIDES					
**ACTUAL BTU'S WILL VARY. YOU MUST RELY ON PRODUCTION DRAWINGS SUBMITTED PER EACH PROJECT.					

*Oscartek reserves the right to change, modify, discontinue, or change any features, sizes, or capacity on any model without prior notice.

OSCARTEK®
 512 South Airport Blvd., South San Francisco, CA 94080
 Tel: 650.342.2400 | Fax: 650.342.7400
 www.oscartek.com





Project Name: _____
 Item #: _____ Quantity: _____

MURO H11-1 & MURO H11-2

MURO H11-1 MODELS: MURO H11-1-1000, MURO H11-1-1200, MURO H11-1-1500, MURO H11-1-1800, MURO H11-1-2000, MURO H11-1-2400, MURO H11-1-A90SQ, MURO H11-1-A90X

MURO H11-2 MODELS: MURO H11-2-1000, MURO H11-2-1200, MURO H11-2-1500, MURO H11-2-1800, MURO H11-2-2000, MURO H11-2-2400, MURO H11-2-A90SQ, MURO H11-2-A90X

MURO H11-2 SELF SERVE AIR SCREEN REFRIGERATION					
TECHNICAL FEATURES		MODELS			
		MURO H11-2-2000 (MUROH11792S)	MURO H11-2-2400 (MUROH11942S)	MURO H11-2-A90SQ (MUROH1190SQ2S)	MURO H11-2-A90X
External Dimensions (L-D-H) Inches-MM	Inches MM	*78 7/8" - 27 9/16" - 53 3/16" *2004 - 701 - 1351	*94 5/8" - 27 9/16" - 53 3/16" *2404 - 701 - 1351	*59 1/8" - 27 9/16" - 53 3/16" *1502 - 701 - 1351	*75 1/2" - 27 9/16" - 53 3/16" *1917 - 701 - 1351
Crated Dimensions (L-D-H) Inches-MM	Inches MM	84" - 33" - 60" 2133 - 838 - 1524	101" - 33" - 60" 2565 - 838 - 1524	66" - 33" - 60" 1676 - 838 - 1524	84" - 84" - 60" 2134 - 2134 - 1524
Operating Temperature	°F	40°F	40°F	40°F	40°F
BTU's @ +14°F Evap Temperature	**BTU'S	**7900	**8900	**7900	**10500 @ +10°F
Electric Supply	(V/Ph/Hz)	208-220/1/60	208-220/1/60	208-220/1/60	208-220/1/60
Power Consumption	(W/A)	1900/8.8	2100/11.0	1900/8.8	2150/11.5
Climate Class	°F /H.R.	75°F-55%RH	75°F-55%RH	75°F-55%RH	75°F-55%RH
Refrigerant Gas	Type	R404A / R452A	R404A / R452A	R404A / R452A	R404A / R452A
Pipe Size (Inches)	Suction, Liquid	5/8" Suction, 5/16" Liquid	5/8" Suction, 5/16" Liquid	5/8" Suction, 5/16" Liquid	5/8" Suction, 5/16" Liquid
Net Weights	Lb	420	510	420	510
Crated Weights	Lb	510	590	510	590
*DIMENSIONS ARE WITH POLISHED S/S SIDES					
**ACTUAL BTU'S WILL VARY. YOU MUST RELY ON PRODUCTION DRAWINGS SUBMITTED PER EACH PROJECT.					

*Oscartek reserves the right to change, modify, discontinue, or change any features, sizes, or capacity on any model without prior notice.

OSCARTEK®
 512 South Airport Blvd., South San Francisco, CA 94080
 Tel: 650.342.2400 | Fax: 650.342.7400
 www.oscartek.com

