



# T&S BRASS AND BRONZE WORKS, INC.

2 Saddleback Cove / P.O. Box 1088  
Travelers Rest, SC 29690

Model No.

**B-0113-A12B-TEE**

Item No.

Travelers Rest, SC: 800-476-4103 • Simi Valley, CA: 800-423-0150 • Fax: 864-834-3518 • www.tsbrass.com

This Space for Architect/Engineer Approval

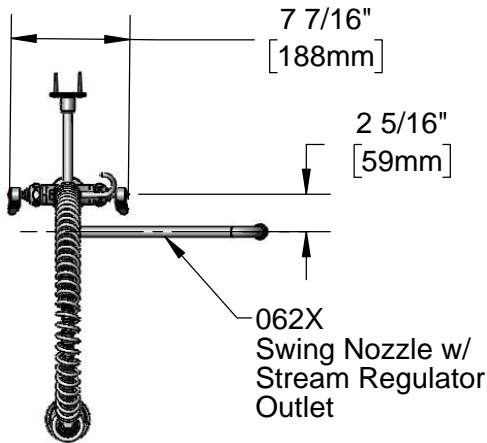
Job Name \_\_\_\_\_ Date \_\_\_\_\_

Model Specified \_\_\_\_\_ Quantity \_\_\_\_\_

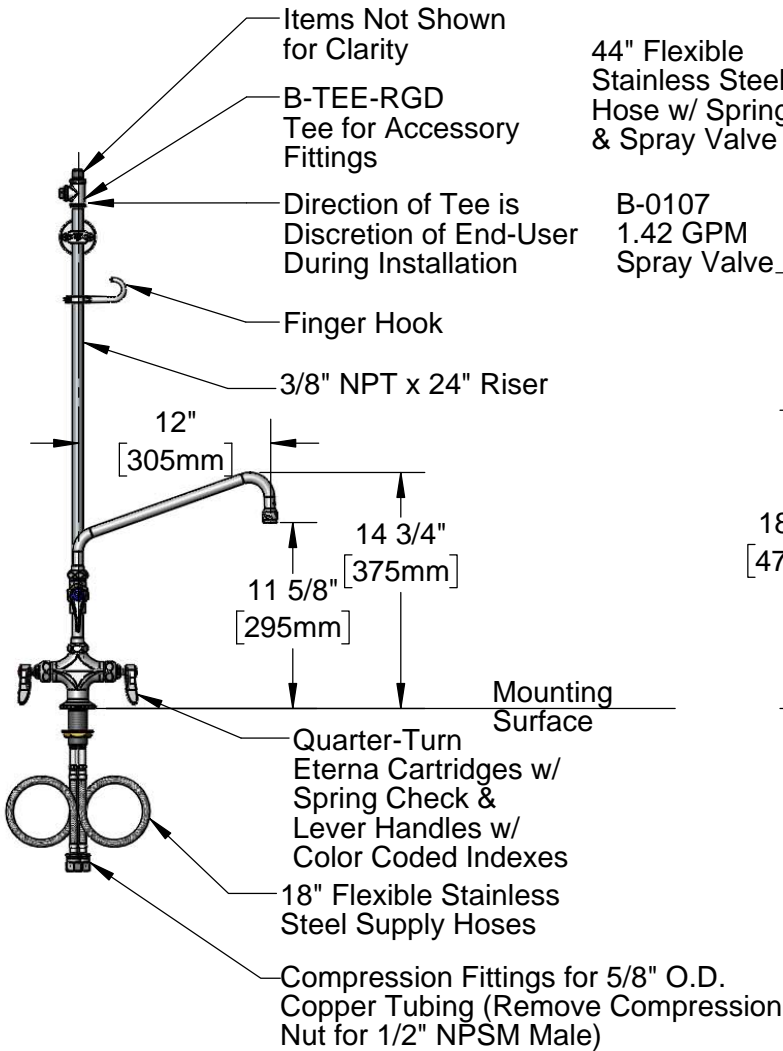
Customer/Wholesaler \_\_\_\_\_

Contractor \_\_\_\_\_

Architect/Engineer \_\_\_\_\_



062X  
Swing Nozzle w/  
Stream Regulator  
Outlet



44" Flexible  
Stainless Steel  
Hose w/ Spring  
& Spray Valve

B-0107  
1.42 GPM  
Spray Valve

B-0109-01  
6" Wall  
Bracket

48 3/8"  
[1229mm]

14 1/16"  
[357mm]

B-0155-LNEZ  
Add-On Faucet

18 5/8"  
[473mm]

1 1/4"  
[32mm]  
Maximum  
Thickness

Ø2 1/4"  
[57mm]

Rough-In Requirement:  
Ø 1 1/2" [Ø 38mm] Mounting Hole

**Product Specifications:**

EasyInstall Pre-Rinse Unit: Single Hole Deck Mount Faucet, Quarter-Turn Eterna Cartridges w/ Spring Checks, Lever Handles, Add-On Faucet w/ 12" Swing Nozzle, 24" Riser, 44" Flexible Stainless Steel Hose, 1.42 GPM Spray Valve, Flexible Stainless Steel Supply Hoses, Accessory Tee and 6" Wall Bracket

**Product Compliance:**

ASME A112.18.1 / CSA B125.1  
NSF 61 - Section 9  
NSF 372 (Low Lead Content)  
EPA Act 2005 (PRSV)



# T&S BRASS AND BRONZE WORKS, INC.

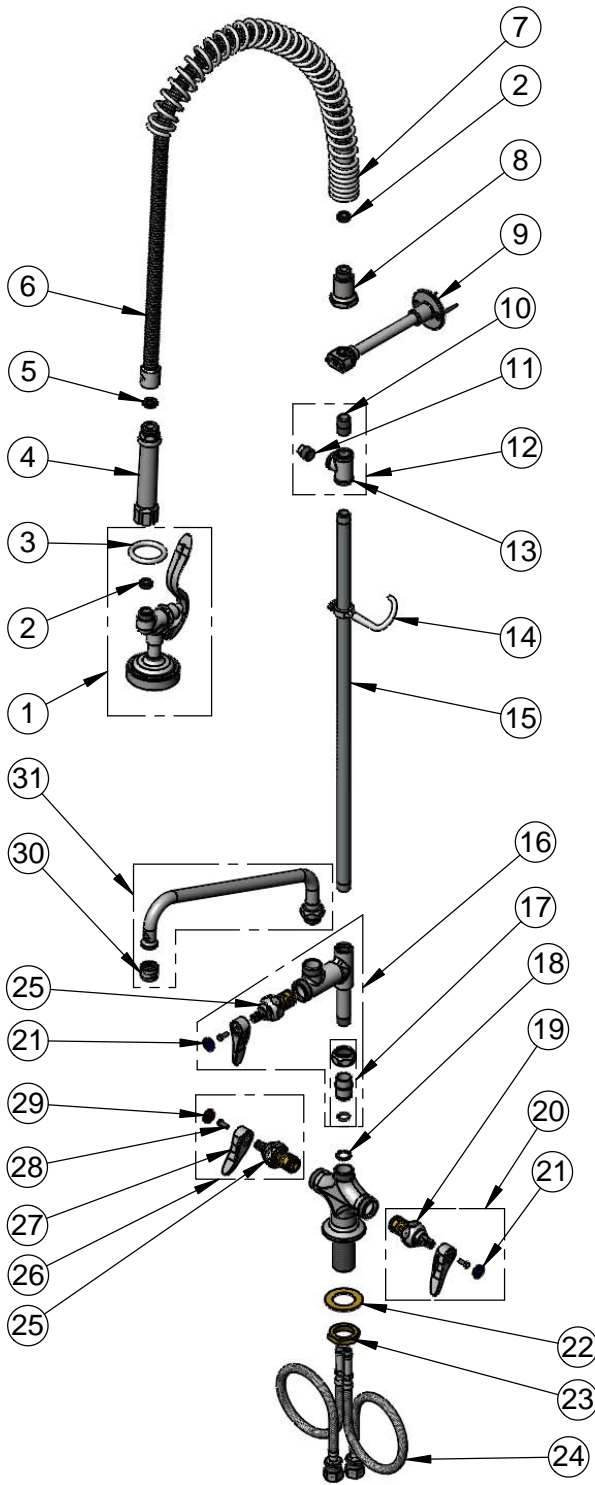
2 Saddleback Cove / P.O. Box 1088  
Travelers Rest, SC 29690

Model No.

**B-0113-A12B-TEE**

Item No.

Travelers Rest, SC: 800-476-4103 • Simi Valley, CA: 800-423-0150 • Fax: 864-834-3518 • www.tsbrass.com



ITEM NO.	SALES NO.	DESCRIPTION
1	B-0107	1.42 Spray Valve
2	010476-45	#27 Washer
3	000907-45	Spray Valve Hold Down Ring
4	002987-40	Grip Handle
5	001014-45	Washer, B-0100 Hose Barrel
6	B-0044-H2A	44" Flexible Stainless Steel Hose, Less Handle
7	000888-45	EasyInstall Overhead Spring
8	000821-40	Spring Body
9	B-0109-01	6" Wall Bracket
10	002535-25	3/8" NPT Close Nipple
11	002369-25	3/8" NPT Plug
12	B-TEE-RGD	Rigid Tee
13	001614-40	3/8" NPT Tee
14	004R	Finger Hook
15	000372-40	3/8" NPT x 24" Riser
16	B-0155-LNEZ	Add-On Faucet w/ 1/4 Turn Eterna Cartridge, RTC & Lever Handle (Less Nozzle)
17	EZ-K	EasyInstall Kit: Bushing, O-Ring, Lock Washer & LocTite 222
18	014200-45	Star Washer, Anti-Rotation
19	012442-40NS	Quarter-Turn Eterna Cartridge w/ Spring Check, LTC
20	002711-40NS	Quarter-Turn Eterna Cartridge w/ Spring Check, Handle, Blue Index & Screw, LTC
21	018506-19NS	Blue Button Index, Press-in
22	002290-45	Lock Washer
23	000965-45	Lock Nut
24	012534-45	18" Flexible Supply Hose (2)
25	012443-40NS	Quarter-Turn Eterna Cartridge w/ Spring Check, RTC
26	002712-40NS	Quarter-Turn Eterna Cartridge w/ Spring Check, Handle, Red Index & Screw, RTC
27	001638-45NS	Lever Handle (New Style)
28	000925-45	Lab Handle Screw
29	001193-19NS	Red Button Index, Press-in
30	B-PT	Full Flow Stream Regulator, 55/64-27
31	062X	12" Swing Nozzle

**Product Specifications:**

EasyInstall Pre-Rinse Unit: Single Hole Deck Mount Faucet, Quarter-Turn Eterna Cartridges w/ Spring Checks, Lever Handles, Add-On Faucet w/ 12" Swing Nozzle, 24" Riser, 44" Flexible Stainless Steel Hose, 1.42 GPM Spray Valve, Flexible Stainless Steel Supply Hoses, Accessory Tee and 6" Wall Bracket

**Product Compliance:**

ASME A112.18.1 / CSA B125.1  
NSF 61 - Section 9  
NSF 372 (Low Lead Content)  
EPA 2005 (PRSV)