



YOU CAN TRUST

FOOD BLENDERS

LAR-15PMB / LAR-25PMB



STANDARD FEATURES

Large capacity floor model Food Blenders are ideal for kitchen applications. Available in two sizes, 4 and 6 1/2 gal.

These oversized low speed Food Blenders are perfect for preparing salsas, mayonnaise and similar textured dips, creamy and liquid soups, crepe dough and similar types of dough, as well as fresh fruit juices (little fruit pieces may be present in final product) and many more. Can be used with cold or hot ingredients up to 140 F (60 C).

Four stainless steel blades positioned close to the bottom and wall of the container create a perfect vortex and optimize results.

Seamless stainless steel container with four pressed internal ribs ensure proper mixing and cleaning. Enamel painted robust four-legged base provides great stability.

No-spill rubber cover with filler-cap allows for adding more ingredients during operation.

Foot operated tilting container make it easy to discharge final product.

High torque heavy duty 1 1/2 HP motor is capable of handling heavy loads.

Easy to clean. Seamless edges and radius corners eliminate crevices that trap food.

Floor model

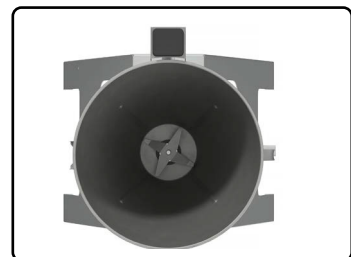
LAR-25PMB FOOD BLENDER



Painted base LAR-15PMB FOOD BLENDER



TILTING CONTAINER FOR EASY DISCHARGE



TOP VIEW

ILLUSTRATIVE PHOTO. ACTUAL PRODUCTS AND ACCESSORIES ARE SUBJECT TO CHANGE WITHOUT NOTICE.



Skyfood Equipment LLC
175 SW 7th Street, Ste 2416
Miami, FL 33130

Toll Free:
1-800-503-7534
sales@skyfood.us

www.skyfood.us



Follow us to keep up to date with the latest news and offers

/SkyfoodEquipment

/SkyfoodEquipment

/SkyfoodEquipment



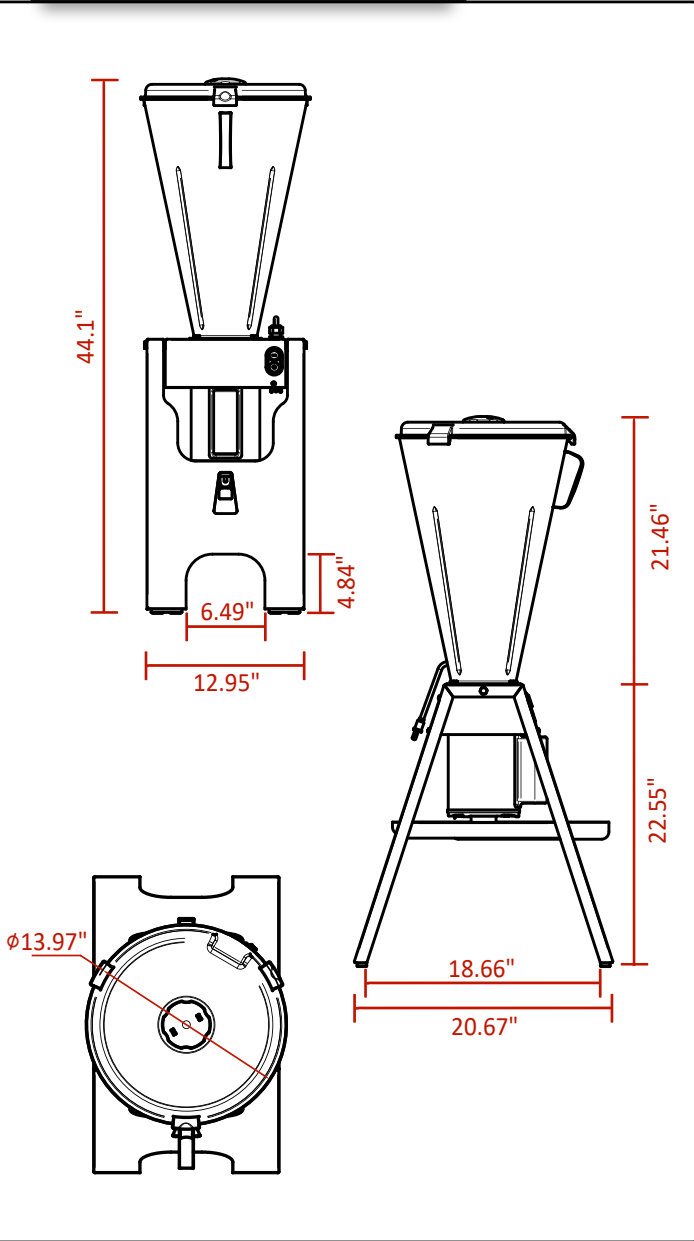
YOU CAN TRUST

FOOD BLENDERS

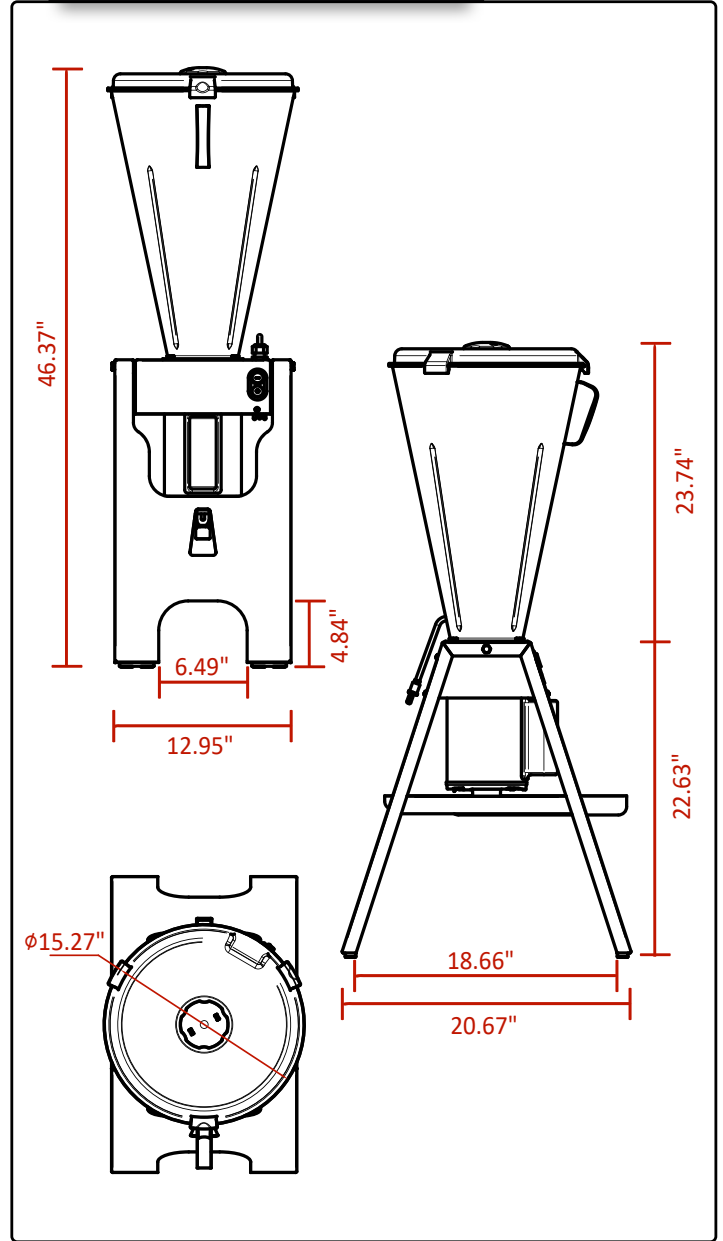
LAR-15PMB / LAR-25PMB



DIMENSIONS - LAR-15PMB



DIMENSIONS - LAR-25PMB



IDEAL FOR MAKING:

Salsa / Sauces and Creams / Crepe Dough
 Mayonnaise / Potato Soup and Similar Recipes
 with Cooked Vegetables / Creamy or Liquid Soups
 Fresh Fruit Juices
 (final recipe may present little fruit pieces)



CALIFORNIA RESIDENTS ONLY - WARNING:
 Cancer and Reproductive Harm -
www.P65Warnings.ca.gov

**WARRANTY 01 YEAR
 PARTS AND LABOR
 VALID IN THE
 CONTINENTAL
 UNITED STATES.**

MADE IN BRAZIL

**PLUG
 NEMA 5-15P**

Item	Voltage	AMPS	Power Rating	Dimensions (W x D x H)	Weight (Net x Ship)	Capacity	RPM	PLUG
LAR-15PMB	110 V	18.6	1 1/2 HP	13" x 21" x 44"	42 lb x 80 lb	4 gal	3500	NEMA 5-15P
LAR-25PMB	110 V	18.6	1 1/2 HP	13" x 21" x 47"	45 lb x 86 lb	6 1/2 gal	3500	NEMA 5-15P



Skyfood Equipment LLC
 175 SW 7th Street, Ste 2416
 Miami, FL 33130

Toll Free:
 1-800-503-7534
sales@skyfood.us

www.skyfood.us



Follow us to keep up to date with the latest news and offers

/SkyfoodEquipment

ILLUSTRATIVE PHOTO, ACTUAL PRODUCTS AND ACCESSORIES ARE SUBJECT TO CHANGE WITHOUT NOTICE.