



Project \_\_\_\_\_

Item # \_\_\_\_\_

Quantity \_\_\_\_\_

# Decorative Lamps/ Luminaires

Models: DLL-, DL- or DLH-400, -500, -600, -700, -725, -750, -760, -775, -800, -1100, -1200, -1300, -1400, -1500

Hatco Decorative Lamps provide radiant heat to briefly hold food warm at kitchen work areas, wait staff pickup stations or customer serving points, while enhancing your décor. Versatile enough for almost any location, the range of lights are available with a selection of unlimited personalized choices. In addition to food warming, configurations for display lighting are offered as well.

## Standard features

- Luminaire (Low Watt), Standard and High Watt bulbs available (bulb not included in unit price)
- Models available in fourteen lamp shade styles
- Eight different mounting arrangements to choose from
- Four switch options
- Available for food holding and display or lighting only applications
- Track Adapter available in 120 volt only

**NOTE:**  
Decorative Lamps (DLL, DL or DLH Series) are non-returnable.

### Build Your Decorative/Luminaire Lamp in Six Easy Steps

(not for retrofit-bulb not included) –

- Step 1** Electrical
- Step 2** Mounting Style
- Step 3** Switch Location
- Step 4** Shade Style
- Step 5** Shade and Canopy Colors
- Step 6** Overall Length



You can develop your own Hatco Decorative Lamp solutions with our online lamp configurator.

Visit "[www.hatcocorp.com](http://www.hatcocorp.com)" and click on "Build a Lamp"

IFS anti-microbial coatings use naturally-occurring, environmentally sustainable, silver ions to help inhibit the growth of microbes on the powder coated surface. See [www.hatcocorp.com/antimicrobial-paint](http://www.hatcocorp.com/antimicrobial-paint) for more information.

For operation, location and safety information, please refer to the Installation and Operating Manual.



(From left to right)  
DL-700-AU, -800-CTR, -750-CL, -400-ASU, -725-SU, -775-RL, -600-SL, -500-SU, -760-ASL, -1200-SR, -1300-RL, -1100 CR, -1500-CT and -1400-CU

## Options (available at time of purchase only)

### Designer Colors (Exception: DL-1500) ✓

- Warm Red  Black  Gray Granite  White Granite
- Navy Blue  Hunter Green  Antique Copper

### Gloss Finishes (Exception: DL-1500) ✓

- Smooth White  Gleaming Gold  Glossy Gray  Bold Black

### Gloss Finishes\* for Shade Only (Exception: DL-1500)

- Radiant Red  Brilliant Blue  Clear Brushed Metal

### Plated Finishes\* (Exception: DL-1500) ✓

- Bright Brass  Bright Nickel  Bright Copper
- Antique Nickel  Antique Brass  Antique Bronze

### DLX-1500 Color Combinations only ✓

- Designer Finishes Black/Antique Copper/Black
- Gloss Finishes Bold Black/Radiant Red/Bold Black\*
- Gloss Bold Black/Plated Bright Nickel/Gloss Bold Black\*
- Gloss Bold Black/Plated Antique Nickel/Gloss Bold Black\*
- Gloss Bold Black/Plated Bright Copper/Gloss Bold Black\*

### \*Special process required and extended lead times

#### Cord Color (C=Cord, R=Retractable Mounts only)

- Black (Standard)  White

#### Luminaire Lighting (100W bulb maximum, not included)

#### Extended Electrical Leads – For any ASU, SU, ASL, SL, ASR or SR mount unit, must specify lead length

- 1'-5' (305-1524 mm)  6'-10' (1829-3048 mm)
- 11'-15' (3353-4572 mm)  16'-20' (4877-6096 mm)

## Accessories

### Track Mount Bar - (120V only, maximum 16 amps per any length of track)

- 4' (1219 mm) Black  4' (1219 mm) White
- 8' (2438 mm) Black  8' (2438 mm) White
- 12' (3657 mm), one 8' (2438 mm), one 4' (1219 mm) with Coupler, Black
- 12' (3657 mm), one 8' (2438 mm), one 4' (1219 mm) with Coupler, White
- 16' (4876 mm), two 8' (2438 mm) with Coupler, Black
- 16' (4876 mm), two 8' (2438 mm) with Coupler, White

### Additional Track Installation and Modification Kit: Black White

#### 16 Amp Lamp Toggle Switch

#### Coated Bulbs, Luminaire models only: 120V, 40W Clear 240V, 40W Clear

#### Coated Bulbs: 120V, 250W Clear 240V, 250W Clear 120V, 250W Red

#### 120V, 375W Coated Bulbs for DLH models only

#### Uncoated Bulbs: 120V, 250W Clear 240V, 250W Clear 120V, 250W Red

#### 120V, 375W Clear for DLH models only



HATCO CORPORATION | P.O. Box 340500 Milwaukee, WI 53234-0500 U.S.A. | (800) 558-0607 | (414) 671-6350



[www.hatcocorp.com](http://www.hatcocorp.com) | [support@hatcocorp.com](mailto:support@hatcocorp.com) | [Find a Hatco Rep](#) | [Image Library](#) | [Document Library](#) | [Chat](#)



# Decorative Lamps/Luminaires

Models: DLL-, DL- or DLH-400, -500, -600, -700, -725, -750, -760, -775, -800, -1100, -1200, -1300, -1400, -1500

## ORDERING INSTRUCTIONS

Please refer to the six steps in the Hatco Foodservice Equipment Price List or go online at [www.hatcocorp.com](http://www.hatcocorp.com) and click on "Build A Lamp". This will help you in choosing the correct configuration for your specific needs.

### Step 1-Electrical

Model♦	Maximum Watt Bulb (Not included)	Voltage Single Phase	Ship Weight▼
DLL- (Luminaire)	100	120, 240	6-10 lbs. (3-5 kg)
DL- (Standard)	250	120, 240	6-10 lbs. (3-5 kg)
DLH- (High Watt)	375	120, 240	6-10 lbs. (3-5 kg)

♦ Not field convertible ▼ Depending on components

### Step 2-Mounting Style

MOUNTING STYLES	SPECIFY the:	Shade Height	
		8.5" H (216 mm)	10.5" H (267 mm)
<b>ARM</b> <b>A Mount</b> Rigid Mount to canopy with pivot.	Horizontal Stem Length	7 to 20" (178 to 508 mm)	
		Overall Length: 17" to 30" (432 to 762 mm)	Overall Length: 19" to 32" (483 to 813 mm)
<b>PIVOT</b> <b>P Mount</b> Rigid Mount to canopy with pivot.	Overall Length (from pivot to bottom of shade)	17" to 71" (432 to 1803 mm)	19" to 73" (483 to 1854 mm)
<b>CORD</b> <b>C Mount</b> Cord Mount to canopy.	Overall Length	17" (432 mm) to any length	19" (483 mm) to any length
		<b>CT Mount*</b> Cord Mount to track adapter.	
<b>RETRACTABLE CORD</b> <b>R Mount</b> Retractable Cord Mount.	Adjusts to a maximum and minimum according to shade height	31" to 69½" (787 to 1765 mm)	33" to 71½" (838 to 1816 mm)
		<b>RT Mount*</b> Retractable Cord Mount to track adapter.	33⅜" to 71⅞" (848 to 1826 mm)

MOUNTING STYLES	SPECIFY the:	Shade Height	
		8.5" H (216 mm)	10.5" H (267 mm)
<b>STEM</b> <b>S Mount</b> Rigid Stem Mount to canopy.	Overall Length	14" to 71" (356 to 1803 mm)	16" to 73" (483 to 1854 mm)
		<b>ST Mount*</b> Rigid Stem Mount to track adapter.	17" to 71" (432 to 1803 mm)
<b>ADJUSTABLE STEM</b> <b>AS Mount</b> At install only, limited height adjustments with Rigid Stem Mount to canopy.	Overall Length	14" to 73" (356 to 1854 mm)	16" to 75" (406 to 1905 mm)
		<b>AST Mount*</b> At install only, limited height adjustments with Rigid Stem Mount to track adapter.	16" to 75" (406 to 1905 mm)

\* NOTE: Lamp shade diameter and wattage may limit number of lamps per track. Maximum 1920 watts or 16 amps per any length of track. To assure warranty coverage, do not install track systems in damp or wet locations (including above steam tables). Track adapter available for 120V only.

HATCO CORPORATION | P.O. Box 340500 Milwaukee, WI 53234-0500 U.S.A. | (800) 558-0607 | (414) 671-6350

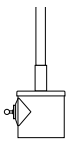
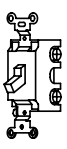
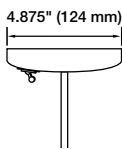
[www.hatcocorp.com](http://www.hatcocorp.com) | [support@hatcocorp.com](mailto:support@hatcocorp.com) | [Find a Hatco Rep](#) | [Image Library](#) | [Document Library](#) | [Chat](#)



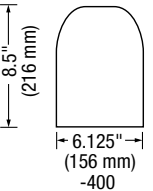

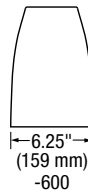





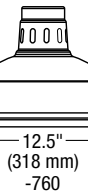
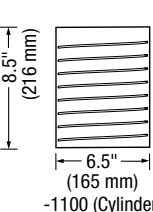
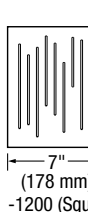
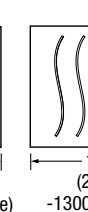
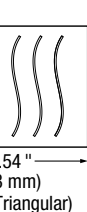
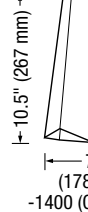
# Decorative Lamps/Luminaires

Models: DLL-, DL- or DLH-400, -500, -600, -700, -725, -750, -760, -775, -800, -1100, -1200, -1300, -1400, -1500

## Step 3-Switch Location

<b>(N)-None</b> Supplied by installer	<b>(L)-Lower Switch</b> (Horizontal toggle) Not available on: • DLH (High Watt models) • A Mount		<b>(R)-Remote Switch</b> • Accommodates 16 amps • Up to seven 250W lamps, or five 375W lamps maximum per remote switch		<b>(U)-Upper Switch</b> Not available on: • DLH (High Watt models) • R Mount • Track Mounts (CT, RT, ST)	 4.875" (124 mm)
--	--	---	--	---	--	---


## Step 4-Shade Style (height and width shown)

 8.5" (216 mm) 6.125" (156 mm) -400	 6.125" (156 mm) -500	 6.25" (159 mm) -600	 6.5" (165 mm) -700	 9.5" (241 mm) -725	 11" (279 mm) -750	 12.5" (318 mm) -760	 10.5" (267 mm) -775	 11" (279 mm) -800
 8.5" (216 mm) 6.5" (165 mm) -1100 (Cylinder)	 7" (178 mm) -1200 (Square)	 11.54" (293 mm) -1300 (Triangular)	 10.5" (267 mm) 7" (178 mm) -1400 (Octagonal)	 6.67" (169 mm) -1500				

## Step 5-Shade and Canopy Colors - Click on [www.hatcocorp.com](http://www.hatcocorp.com) (Order Literature/Brochures/Sales Literature/Color Chip Chart) or see the [Hatco Price List](#) for color representations.

Shade and Canopy Colors	
<b>Designer Colors</b>	Warm Red, Black, Gray Granite, White Granite, Navy Blue, Hunter Green, Antique Copper
<b>Gloss Finishes</b>	Smooth White, Gleaming Gold, Glossy Gray, Bold Black
	<b>Shade Only*</b> : Radiant Red, Brilliant Blue, Clear Brushed Metal
<b>Plated Finishes*</b>	Bright Brass, Bright Nickel, Bright Copper, Antique Nickel, Antique Brass, Antique Bronze

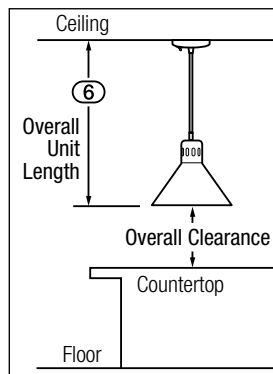
\*Special Process Required and Extended Lead Times

DLX-1500 Shade and Canopy Colors		
<i>Designer Black/ Antique Copper/ Black</i>	<b>Gloss Bold Black*/ Plated Bright Nickel/ Gloss Bold Black</b>	
<b>Gloss Bold Black*/ Plated Antique Nickel/ Gloss Bold Black</b>	<b>Gloss Bold Black*/ Plated Bright Copper/ Gloss Bold Black</b>	<b>Gloss Bold Black*/ Radiant Red/ Bold Black</b>

\*Special Process Required and Extended Lead Times

## Step 6-Overall Unit Length

- For C, CT, S or ST Mounts: From ceiling to bottom of warmer lamp shade (#6 in drawing).
- For A or P Mounts: From center of shade to wall plus vertical shade length to the nearest whole number (see line art in mounting styles and please specify exact length in whole numbers).
- For Clearance: See "Clearance Requirements" in the Hatco Price List Ordering Instructions.



## PRODUCT SPECS Decorative Lamps/Luminaires

The Decorative Lamp shall be a Hatco Model ... as manufactured by the Hatco Corporation, Milwaukee, WI 53234 U.S.A.

The Decorative Lamp shall be rated at ... watts, ... volts, and ... inches (millimeters) in overall width. It shall consist of a vented lamp shade and mounting. Switch locations

can be upper, lower, remote or supplied by installer. Bulb options are uncoated or coated, clear or red, 60W clear (DLL), 250W (DL models) or 375W (DLH models).

Warranty consists of 24/7 parts and service assistance (US and Canada only).

**HATCO CORPORATION** | P.O. Box 340500 Milwaukee, WI 53234-0500 U.S.A. | (800) 558-0607 | (414) 671-6350

 [www.hatcocorp.com](http://www.hatcocorp.com) | [support@hatcocorp.com](mailto:support@hatcocorp.com) | [Find a Hatco Rep](#) | [Image Library](#) | [Document Library](#) | [Chat](#)