

DESIGNER LINE REFRIGERATOR/FREEZER

Model: D1RFNHD

Natural Refrigerant R-290 Model

Designer Line

1-Section Dual Temp Over/Under Reach-In Refrigerator/Freezer (0°F)

D1RFNHD - Stainless steel front, aluminum end panels and interior

D1RFNSAHD - Stainless steel exterior, aluminum interior

D1RFNSSHD - Stainless steel exterior and interior



Options and Accessories

(upcharge and lead times may apply)

Stainless steel case back	Hinged glass doors (consult factory)
Additional epoxy coated steel shelves	Special electrical req. (consult factory)
Chrome or stainless steel shelves	Correctional Facility Options
Rehinging of doors (consult factory)	<ul style="list-style-type: none"> One way security screws
Pan slide assemblies	<ul style="list-style-type: none"> Locking hasp (lock not included)
Wine rack (refrigerator section)	<ul style="list-style-type: none"> Stainless steel mesh cover
Casters	<ul style="list-style-type: none"> Coverless hinges
Custom laminates	

Consult factory for other model configurations, options and accessories.

Project Name:

Model Specified:

Location:

Item No:

Quantity:

AIA #:

SIS #:

Standard Model Features

REFRIGERATION SYSTEM

Separate, self contained, performance rated refrigeration systems (coil housing in cabinet zones)

Natural, environmentally safe, high efficiency R-290 refrigerant¹

Automatic, electric condensate evaporator

CABINET ARCHITECTURE

3" non-CFC polyurethane foam insulation

Smooth, polished chrome workflow door handles

Cam action, lift off hinges

Self-closing doors

Magnetic snap in Santoprene™ door gaskets

Cylinder lock in each door

Heavy duty, epoxy coated steel shelves

Heavy duty pilaster strips

Adjustable 6" stainless steel legs

MODEL FEATURES

LED interior lighting

Electronic controllers with digital display & hi-low alarm

Off-cycle defrost (refrigerator section)

Automatic electric defrost (freezer section)

¹ R-290 refrigerant meets all federal and state regulatory requirements.

Continental
Refrigerator

Toll-Free: 800-523-7138

Phone: 215-244-1400

Fax: 215-244-9579

539 Dunksferry Road

Bensalem, PA 19020

www.continentalrefrigerator.com

APPROVAL:

Model Specifications

DIMENSIONAL DATA

Net Capacity (cubic feet)	10/10 (283/283 cu l)
Width, Overall (inches)	26 (660 mm)
Depth, Overall (inches) (including handles)	35 3/8 (899 mm)
Depth (inches) (less doors)	32 (813 mm)
Depth (inches) (doors open 90°)	55 1/2 (1410 mm)
Clear Door Width (inches)	19 3/8 (492 mm)
Clear Half Door Height (inches)	27 1/2 (699 mm)
Height, Overall (inches) (including 6" legs)	83 1/4 (2115 mm)
Number of Doors	2
Number of Shelves	4
Shelf Area (square feet)	20.4 (1.9 sq m)
Tray Slide Capacity (per half section)	11

REFRIGERANT DATA

Condensing Unit Size (H.P.)	1/5, 1/3
Capacity (BTU per hour)*	1625, 1800

ELECTRICAL DATA

Voltage (International)	115/60/1 (220/50/1)
Feed Wires (including ground)	3 / 3
Total Amps (International)	2.5 (2.7), 5.7 (3.0)
Defrost Amps (International)	3.9 (2.2)
(2) 10 ft. Cord/Plug [attach.] (International)	Yes (No)

SHIPPING DATA

Height - Crated (inches)	85 1/2 (2172 mm)
Width - Crated (inches)	31 5/8 (803 mm)
Depth - Crated (inches)	42 (1067 mm)
Volume - Crated (cubic feet)	65 (1841 cu l)
Weight Std - Crated (pounds)	420 (191 kg)
Weight SS - Crated (pounds)	480 (218 kg)

* Rating @ +25°F evaporator, 90°F ambient (refrigerator)

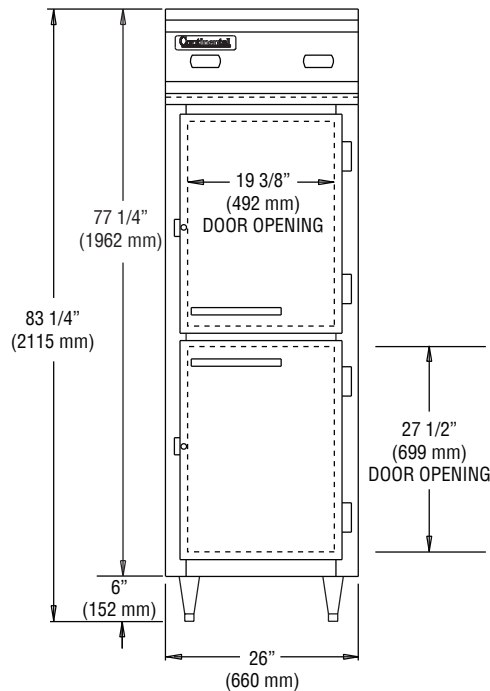
* Rating @ -15°F evaporator, 90°F ambient (freezer)

Figures in parentheses reflect metric equivalents rounded to the nearest whole unit.

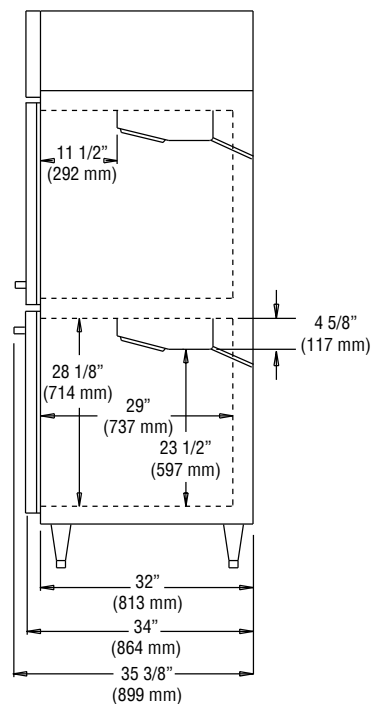


Equipped with two NEMA-5-15P Plugs
(varies by country)

Model Plan Views



FRONT VIEW



SIDE VIEW

IMPORTANT NOTE: If the cabinet is located directly against a wall and/or under a low ceiling, a minimum clearance of 12" is required on top and 3" on sides and rear.

Continental
Refrigerator

Toll-Free: 800-523-7138
Phone: 215-244-1400
Fax: 215-244-9579

539 Dunksferry Road
Bensalem, PA 19020
www.continentalrefrigerator.com

Due to our continued efforts in developing innovative products, specifications subject to change without notice.



© Copyright 2021. Continental Refrigerator.
A Division of National Refrigeration & Air Conditioning Products, Inc.

REVISED: 5/05/2022