

# Specification

## HPC7013HFSK Cook and Hold Smoker Oven



- ◆ Designed for cooking, holding and smoking a variety of meats.
- ◆ Digital Electronic controls, select a variety of cooking temperatures, smoking and holding times.
- ◆ Digital Timer to notify user when process is complete.
- ◆ Cooks by time and automatically converts from cook mode to hold mode.
- ◆ Control features indicator lights for the cook cycle and hold function.
- ◆ Side racks with fifteen (15) pan positions spaced on 1-1/2" (38mm) centers (per compartment)
- ◆ Solid door with magnetic door latch, Zinc Alloy machined handle.
- ◆ Heavy duty 5" casters, two swivel with brakes, two rigid. Provides mobility when fully loaded.
- ◆ Maximum Temperature 325°F.
- ◆ Stainless steel.



**Note:** Dimensions and Specification are subject to

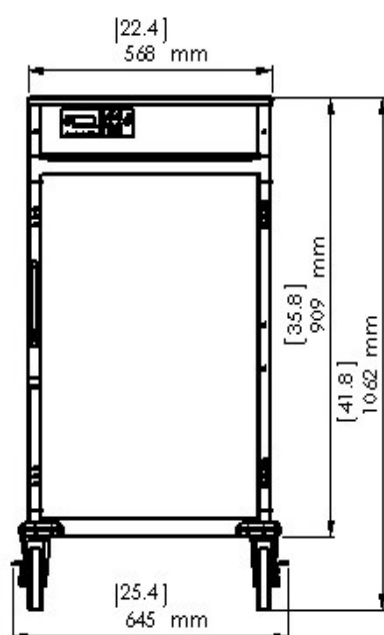
This Energy Efficient half size oven has a controlled, uniform heat source that maintains close temperature tolerances throughout the cooking and holding function. As a result, consistent cooking offers low shrinkage of bulk or portion-cut protein items, higher food moisture content, and significantly longer holding life. Max temperature 325°F.

# Specifications and Dimensions

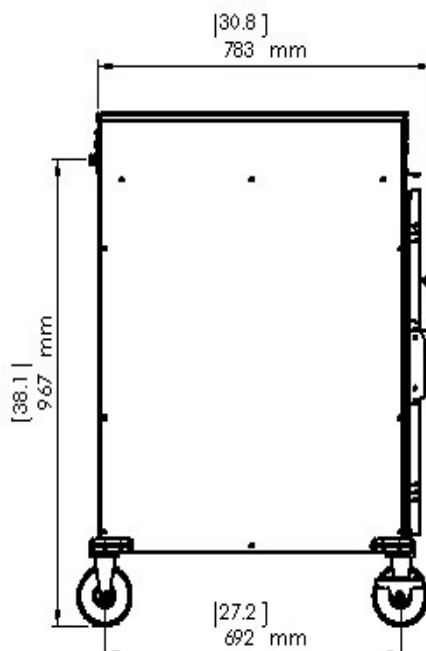
## HPC7013HFSK



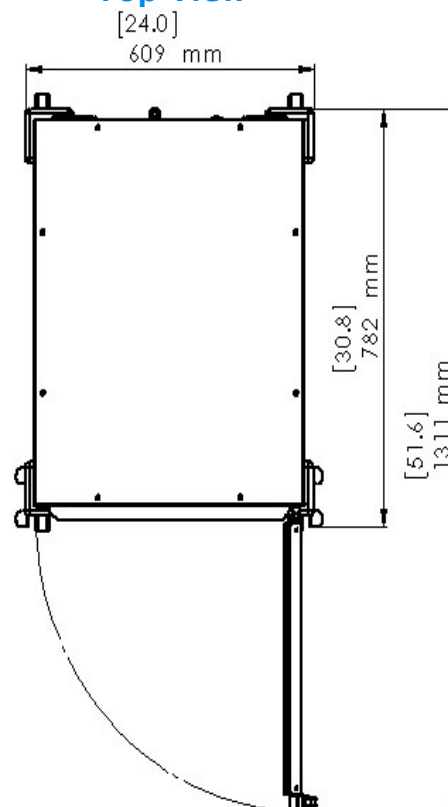
**Front View**



**Side View**



**Top View**



**Pan Capacity** 18" x 26" x 1" 15 pcs

20" x 12" x 2-1/2" 8 pcs

20" x 12" x 4" 4 pcs

20" x 12" x 6" 4 pcs

**Electrical** 208 Volts, 15.9Amps, 60Hz

**Power** 3370 Watts

**Cord** Included. Need Plug end installed  
by qualified electrician.

**Net Weight** 190 lbs(87Kg).

**Gross shipping weight** 217 lbs(99Kg).

**Dimensions** 25.4" W x 31" D x 41.75" H

**Package** 26" W x 33" D x 42" H