



T&S BRASS AND BRONZE WORKS, INC.

2 Saddleback Cove / P.O. Box 1088
Travelers Rest, SC 29690

Model No.

B-0133-B08-SWV

Item No.

Travelers Rest, SC: 800-476-4103 • Simi Valley, CA: 800-423-0150 • Fax: 864-834-3518 • www.tsbrass.com

This Space for Architect/Engineer Approval

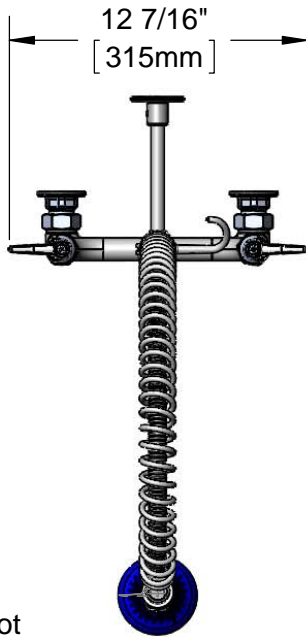
Job Name _____ Date _____

Model Specified _____ Quantity _____

Customer/Wholesaler _____

Contractor _____

Architect/Engineer _____



44" Flexible Stainless Steel Hose w/ Spring & Spray Valve

B-0109-01 6" Wall Bracket

Items Not Shown For Clarity

Finger Hook

3/8" NPT x 18" Riser

018200-40 Pre-Rinse Swivel

B-0108 1.48 GPM Spray Valve

33 5/16" [846mm]

EasyInstall Lock Nut & Bushing

Quarter-Turn Eterna Cartridges w/ Spring Check & Lever Handles w/ Color Coded Indexes

3 11/16" [94mm]

4 7/16" [113mm]

8" [203mm] Adjustable From 7 3/4" to 8 1/4" [197mm to 210mm]

Ø2" [51mm] Flanges w/ 1/2" NPT Female Inlets

14 7/16" [367mm]

2 3/8" [61mm]

Mounting Surface

Product Specifications:

Pre-Rinse Unit: EasyInstall 8" Wall Mount Mixing Faucet, Quarter-Turn Eterna Cartridges w/ Spring Checks, Lever Handles, 44" Flexible Stainless Steel Hose, 1.48 GPM Spray Valve w/Swivel, 6" Wall Bracket, 1/2" NPT Female Inlets

Product Compliance:

ASME A112.18.1 / CSA B125.1
NSF 61 - Section 9
NSF 372 (Low Lead Content)
EPA Act 2005 (PRSV)

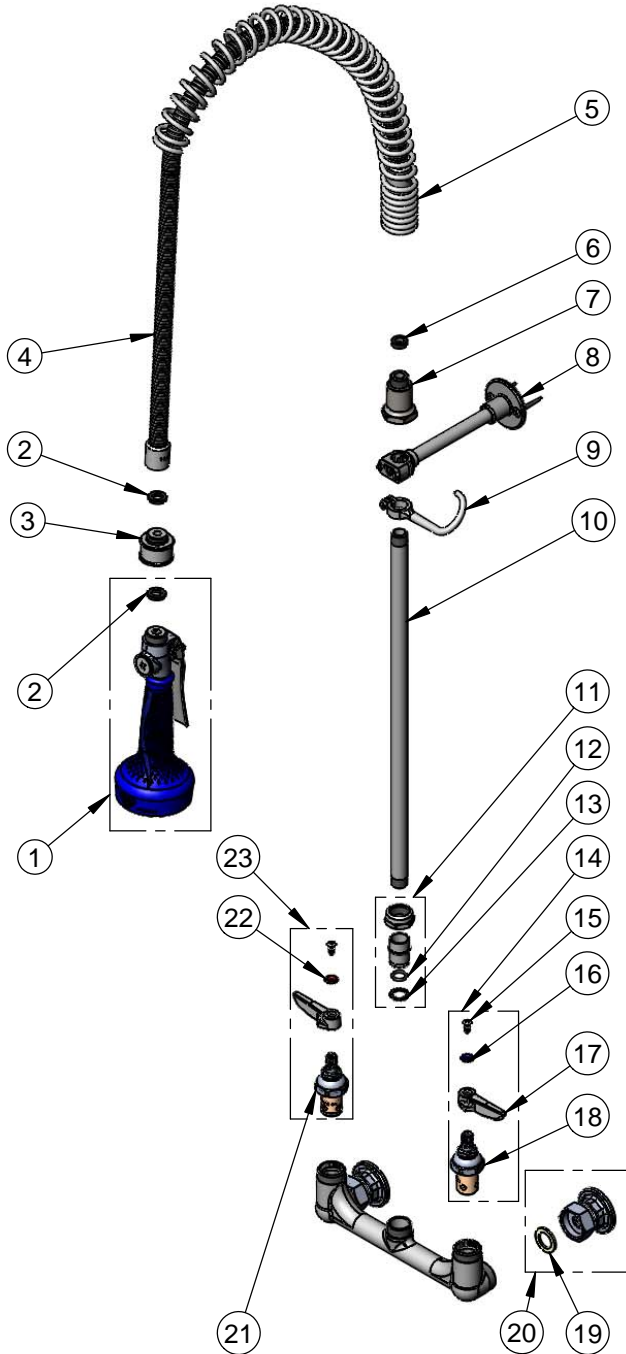


T&S BRASS AND BRONZE WORKS, INC.
 2 Saddleback Cove / P.O. Box 1088
 Travelers Rest, SC 29690

Model No.
B-0133-B08-SWV

Item No.

Travelers Rest, SC: 800-476-4103 • Simi Valley, CA: 800-423-0150 • Fax: 864-834-3518 • www.tsbrass.com



ITEM NO.	SALES NO.	DESCRIPTION
1	B-0108	1.48 GPM Spray Valve w/ Ergo-Grip
2	001014-45	Washer, B-0100 Hose Barrel
3	018200-40	Pre-Rinse Swivel w/ 2 Washers
4	B-0044-H2A	44" Flexible Stainless Steel Hose, Less Handle
5	000888-45	EasyInstall Overhead Spring
6	010476-45	#27 Washer
7	000821-40	Spring Body
8	B-0109-01	6" Wall Bracket
9	004R	Finger Hook
10	000369-40	3/8" NPT x 18" Riser
11	EZ-K	EasyInstall Kit: Nut, Bushing, O-ring & Lock Washer
12	001065-45	O-Ring
13	014200-45	Star Washer, Anti-Rotation
14	002711-40	Quarter-Turn Eterna Cartridge, LTC w/ Spring Check, Handle, Index & Screw
15	000922-45	Lever Handle Screw
16	001660-45	Blue Index-CW
17	001638-45	Lever Handle
18	012442-40	Quarter-Turn Eterna Cartridge, LTC w/ Spring Check
19	001019-45	Coupling Nut Washer
20	00AA	1/2" NPT Female Eccentric Flange
21	012443-40	Quarter-Turn Eterna Cartridge, RTC w/ Spring Check
22	001661-45	Red Index-HW
23	002712-40	Quarter-Turn Eterna Cartridge, RTC w/ Spring Check, Handle, Index & Screw

Product Specifications:

Pre-Rinse Unit: EasyInstall 8" Wall Mount Mixing Faucet, Quarter-Turn Eterna Cartridges w/ Spring Checks, Lever Handles, 44" Flexible Stainless Steel Hose, 1.48 GPM Spray Valve w/Swivel, 6" Wall Bracket, 1/2" NPT Female Inlets

Product Compliance:

ASME A112.18.1 / CSA B125.1
 NSF 61 - Section 9
 NSF 372 (Low Lead Content)
 EPA Act 2005 (PRSV)