



BEVERAGE-AIR

| | |
|-----------------|------|
| Project: _____ | AIA# |
| Item: _____ | SIS# |
| Location: _____ | |
| Approved: _____ | |

GF34HC BAR EQUIPMENT: GLASS AND PLATE FROSTER SERIES

GF BAR EQUIPMENT

GF34HC Glass and Plate Froster

Hydrocarbon Series

MODEL:
GF34HC-S



5 Year Parts/Labor Warranty Available
7 Year Compressor Warranty

CABINET CONSTRUCTION

- Stainless steel front, sides and door, (galvanized back and bottom)
- Interior construction utilizes galvanized steel
- Top includes easy glide, stainless steel lids (1) and stainless steel counter top with edge
- Top loading
- Two (2) adjustable wire dividers
- Two (2) shelf ledges standard with three (3) mounting points
- Flexibility in design provides for plate storage and chilling
- Automatic defrost of coil is standard
- Built-in condensate evaporator system
- No floor drain or additional plumbing is needed

OPTIONS & ACCESSORIES

- 3 Year parts/labor standard, additional 2 year warranty available
- Stainless steel interior
- Lock
- Remote option*
(refrigerant must be specified at time of order, see note on back on page)

REFRIGERATION SYSTEM

- Uses environmentally friendly, energy efficient R290 refrigerant, and meets all regulatory requirements for CARB, SNAP, DOE & more
- Adaptive defrost
- Epoxy coated evaporator coil
- Chills glasses and plates at 0°F and below (factory setpoint is 0°F)



Please verify qualifying units by visiting:
www.energystar.gov/cfs

3779 Champion Blvd., Winston-Salem, NC 27105
1-888-845-9800 Fax: 1-336-245-6453
Beverage-Air.com Sales@bevair.com



BEVERAGE-AIR

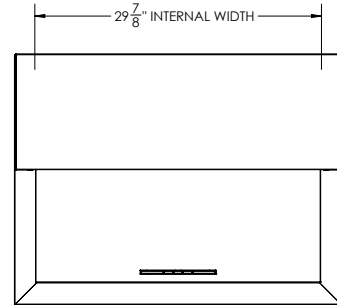
Bar Equipment - Glass and Plate Froster Model: GF34HC-S

| MODEL | GF34HC-S |
|----------------------------------|-----------|
| EXTERNAL DIMENSIONAL DATA | |
| Width Overall | 34" |
| Depth Overall | 26 1/8" |
| Height Overall | 33 5/8" |
| Number of Lids | 1 |
| INTERNAL DIMENSIONAL DATA | |
| NET Capacity (cubic ft.) | 6.4 |
| Internal Width Overall (in) | 29 7/8" |
| Internal Max Depth Overall (in) | 22" |
| Internal Height Overall (in) | 18 1/4" |
| Number of Dividers | 2 |
| 12 oz. Mugs Chilling Capacity | 94 |
| 8" Plate Chilling Capacity | 150 |
| ELECTRICAL DATA | |
| Full Load Amperes | 3.5 |
| REFRIGERATION DATA | |
| Horsepower | 1/2 |
| Capacity (BTU/Hr) | 1624 |
| Heat Rejection (BTU/Hr) | 2436 |
| Charge (lbs/grams) | 0.1323/60 |
| SHIPPING DATA | |
| Gross Weight - Crated | 224 lbs |
| Height - Crated | 40" |
| Width - Crated | 38" |
| Depth - Crated | 30" |

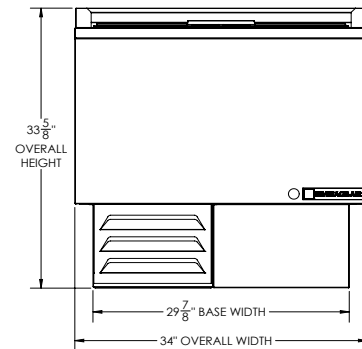
*NOTE: Remote units are field wired and come with 6" legs.
Refrigerant must be specified at time of order.

Model Views

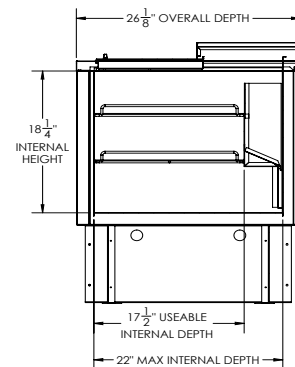
Required Clearance: 2" Rear



PLAN VIEW



ELEVATION VIEW



SIDE VIEW



ELECTRICAL CONNECTION



115/60/1
NEMA 5-15P

Unit pre-wired at factory
and include 8' long cord
and plug set.