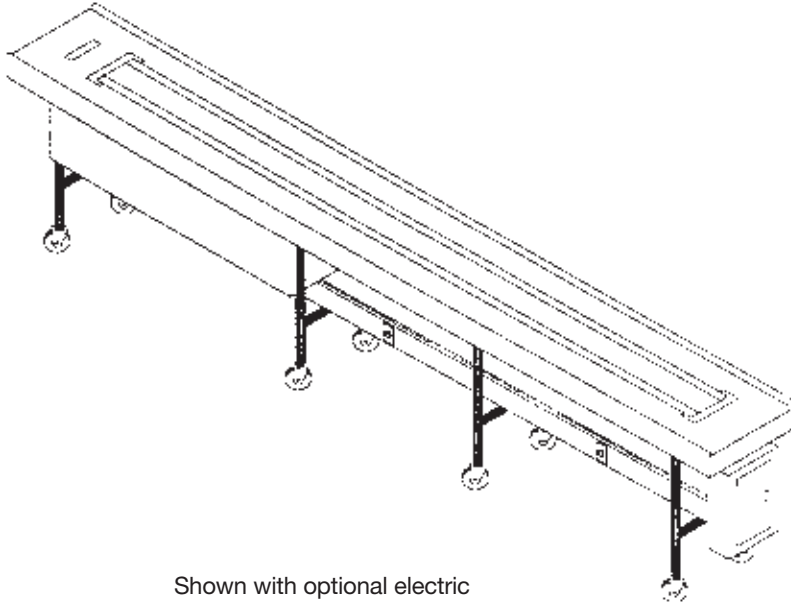


TRAY MAKEUP BAND BELT CONVEYORS



Shown with optional electric raceway and outlets.

Application

The straight-line Band Belt motorized conveyor is designed for tray make-up operations. The Band Belt conveyor will help streamline tray assembly for any healthcare or catering operation. All units can be equipped with raceways and breaker panels for on-line support equipment connections. Mobile or stationary, these units are designed for easy cleaning and long life. Since these units are built to customer specification some units may not be available in mobile configuration. Please consult factory.

Construction

Drive housing is 18-gauge stainless steel. 2" x 2" x 3/16" stainless steel all welded angle and channel framework. Removable panels provided for easy access.

Drive is totally enclosed fan cooled D.C. permanent magnet motor through worm gear speed reducer, sprockets, and roller chain. Automatic belt tensioning device is provided. Rollers are crowned to assure proper tracking. Conveyor is furnished with side belt guides to also assist in belt tracking. Motor controlled with SCR power transmission group.

SCR main control panel has speed control station with stop-start controls. SCR system includes dynamic braking. All controls are NEMA 4 watertight. Shafting is solid stainless steel with stainless steel sprockets. Bearings are self-aligning ball bearings sealed for life.

Dual 1/2" diameter urethane belts are FDA approved.

Belt speed is electronically adjustable in speeds ranging from approximately 0 to 40 FPM.

Die-formed crimp edge has straight turndown on long sides and is straight down on ends. Belt terminates at drive end to provide flat top space for one tray. Supports are 1.625"(4cm) O.D. No.16-gauge stainless steel tubing "H" frames on 6' to 7' centers. Interconnecting crossrails are required.

The intermediate section is 1.5" x 1.5" x No.12-gauge stainless steel angle frame. 1.875" O.D. PVC bearing supported stainless steel shaft mounted idler rollers on 48"(122cm) centers. Exposed sides are fitted with removable stainless steel panels.

Item Numbers

Band Belt Conveyors

- DXIESB8
- DXIESB10
- DXIESB12
- DXIESB14
- DXIESB16
- DXIESB18
- DXIESB20

The tail section consists of a stainless steel framework which houses tail roller and bracket guides. Stainless steel panels conceal frame where exposed.

Manual cleaning system head section fitted with stainless steel slide out crumb collector pan. Conveyor will stop as tray reaches check point and will automatically restart when tray is removed.

Warranty

One year parts and labor.

We do not accept returns on any Dinex equipment or Dinex custom products. Please contact your local Dinex rep to ensure order accuracy prior to ordering.

DINEX[®]
A **CARLISLE** COMPANY

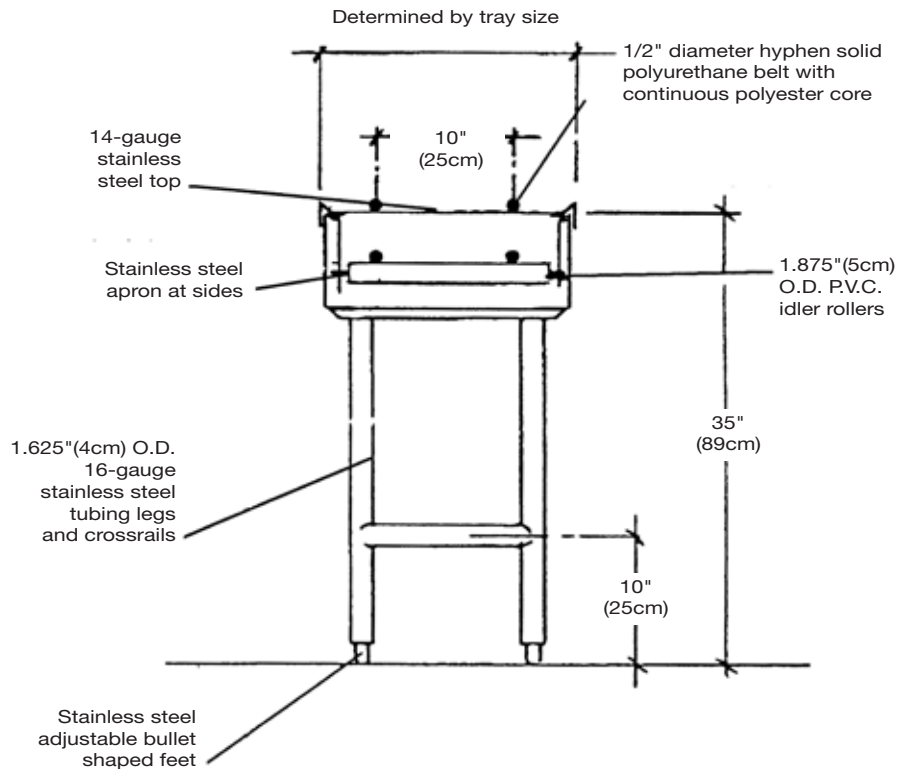
4711 E Hefner Road
Oklahoma City, OK 73131
800.654.8210 • 405.475.5600
www.dinex.com

TRAY MAKEUP BAND BELT CONVEYORS

Panel box is watertight NEMA 3R construction located on conveyor in totally accessible area. Integrally connected to panel box is an all stainless steel electric receptacle housing full length of conveyor. The optional electric raceway is of watertight construction. All receptacles required for support equipment have watertight spring loaded covers or threaded removable watertight ring covers with rust resistant ball and chain. All receptacles are wired on individual circuits to panel box and matched to electrical support equipment.

Electrical service at location is required (stub if stationary, grounded receptacle if mobile). Conveyor can be furnished in any voltage that is available in the Continental United States.

Note: Engineering data chart must be completed accurately for proper selection of receptacles and panel box.



Standard Features

- Variable speed
- Two 1/2" diameter round belts and FDA approved
- Slider pan has "Air Glide" ride
- Pan limit switch
- Stationary
- Dry operation
- Removable crumb-collector pan
- All welded heavy duty frame

Options

- Electric raceway
- Receptacles
- Casters
- Field joint
- Cord and plug

Items and Dimensions

ITEM NUMBER	MODEL NUMBER	SIZE	SHIP WEIGHT
DXIESB8	IESB8	8 ft. (2.4 meter) section	680 lb. (272kg)
DXIESB10	IESB10	10 ft. (3.05 meter) section	740 lb. (340kg)
DXIESB12	IESB12	12 ft. (3.6 meter) section	800 lb. (408kg)
DXIESB14	IESB14	14 ft. (4.3 meter) section	860 lb. (435kg)
DXIESB16	IESB16	16 ft. (4.9 meter) section	920 lb. (462kg)
DXIESB18	IESB18	18 ft. (5.5 meter) section	980 lb. (489kg)
DXIESB20	IESB20	20 ft. (6.1 meter) section	1,040 lb. (517kg)

DINEX
A CARLISLE COMPANY

4711 E Hefner Road
Oklahoma City, OK 73131
800.654.8210 • 405.475.5600
www.dinex.com

Please confirm that you have the most current specification sheet by visiting www.dinex.com. Dinex® reserves the right to change specifications and product design without notice. Such revisions do not entitle the buyer to corresponding changes, improvements, additions or replacements for previously purchased equipment.