

# GEM R4

# Deli/Pastry Showcase

## STANDARD FEATURES

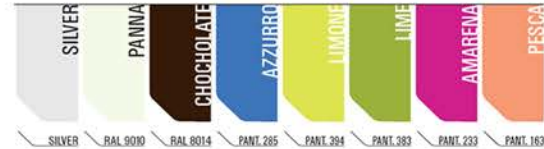
- LED lighting system
- Extra clear glass upper structure
- Sliding clear Acrylic back doors
- Stainless steel lower interior foam tub
- Galvanized chassis structure
- All tempered glass
- Cases ship standard unfinished

## OPTIONS

- Gem G1: sliding glass back doors on the operating side. Lift up top glass on the customer side
- Available in (2) depths: A - 32 3/8"D & B - 25 7/8"D
- Cold storage
- Remote condensing unit
- Casters
- RAL color/laminate front and side panels
- Available in matching Gelato case



PHOTO SHOWN MATCHING GELATO



GEM R4 DELI/PASTRY - A: 32 3/8"D					
TECHNICAL FEATURES		MODELS			
		GEM R4 DP900	GEM R4 DP1000	GEM R4 DP1300	GEM R4 DP1500
External Dimensions (L-D-H)	Inches	35 7/16" - 32 3/8" - 47 1/4"	39 3/8" - 32 3/8" - 47 1/4"	51 3/16" - 32 3/8" - 47 1/4"	59 1/16" - 32 3/8" - 47 1/4"
	MM	900 - 823 - 1200	1000 - 823 - 1200	1300 - 823 - 1200	1500 - 823 - 1200
Crated Dimensions (L-D-H)	Inches	41" - 39 3/8" - 53 1/8"	45" - 39 3/8" - 53 1/8"	59" - 39 3/8" - 53 1/8"	67" - 39 3/8" - 53 1/8"
	MM	1041 - 1000 - 1350	1150 - 1000 - 1350	1500 - 1000 - 1350	1700 - 1000 - 1350
Refrigeration	Type	Ventilated	Ventilated	Ventilated	Ventilated
Refrigeration Display Area	Type	Deck	Deck	Deck	Deck
Operating Temperature	°F	40°F	40°F	40°F	40°F
Compressor	Nr./Type	Hermetic	Hermetic	Hermetic	Hermetic
BTU'S @ +14°F Evap Temperature	BTU'S	2200 BTU'S	2200 BTU'S	2900 BTU'S	3600 BTU'S
Electric Supply	(V/Ph/Hz)	120/1/60	120/1/60	120/1/60	120/1/60
Power Consumption	(A)	8A	8A	10A	11A
Defrost	Mode/Type	Air	Air	Air	Air
Refrigerant Gas	Type	R404A	R404A	R404A	R404A
Net Weights	Kg/Lb	115Kgs / 253Lbs	120Kgs / 264Lbs	135Kgs / 298Lbs	158Kgs / 348Lbs
Crated Weights	Kg/Lb	130Kgs / 286Lbs	150Kgs / 330Lbs	165Kgs / 364Lbs	180Kgs / 388Lbs

\* DIMENSIONS ARE WITHOUT SIDE PANELS

\* Manufacturer reserves the right to change specifications without notice. Not responsible for error and omissions.



361-367 Beach Road, Burlingame, CA 94010  
 Tel: 855.885.2400 | 650.342.2400 | Fax: 650.342.7400  
 sales@oscartek.com | www.oscartek.com



# GEM R4

# Deli/Pastry Showcase

## GEM R4 DELI/PASTRY - A: 32 3/8"D

TECHNICAL FEATURES		MODELS				
		GEM R4 DP1700	GEM R4 DP2000	GEM R4 DPA90SQ	GEM R4 DPA90C	GEM R4 DPA45
External Dimensions (L-D-H)	Inches	66 15/16" - 32 3/8" - 47 1/4"	78 3/4" - 32 3/8" - 47 1/4"	** 51 5/16" - 32 3/8" - 47 1/4"	** 80 3/4" - 32 3/8" - 47 1/4"	** 29 1/2" - 32 3/8" - 47 1/4"
	MM	1700 - 823 - 1200	2000 - 823 - 1200	1304 - 823 - 1200	2052 - 823 - 1200	750 - 823 - 1200
Crated Dimensions (L-D-H)	Inches	74 3/4" - 39 3/8" - 53 1/8"	84" - 39 3/8" - 53 1/8"	57" - 39 3/8" - 53 1/8"	86" - 39 3/8" - 53 1/8"	35" - 39 3/8" - 53 1/8"
	MM	1900 - 1000 - 1350	2150 - 1000 - 1350	1447 - 1000 - 1350	2184 - 1000 - 1350	889 - 1000 - 1350
Refrigeration	Type	Ventilated	Ventilated	Ventilated	Ventilated	Ventilated
Refrigeration Display Area	Type	Deck	Deck	Deck	Deck	Deck
Operating Temperature	°F	40°F	40°F	40°F	40°F	40°F
Compressor	Nr./Type	Hermetic	Hermetic	Hermetic	Hermetic	Hermetic
BTU'S @ +14°F Evap Temperature	BTU'S	3800 BTU'S	3100 BTU'S	3600 BTU'S	3400 BTU'S	3800 BTU'S
Electric Supply	(V/Ph/Hz)	120/1/60	120/1/60	120/1/60	120/1/60	120/1/60
Power Consumption	(A)	12A	14A	11A	11A	11A
Defrost	Mode/Type	Air	Air	Air	Air	Air
Refrigerant Gas	Type	R404A	R404A	R404A	R404A	R404A
Net Weights	Kg/Lb	187Kgs / 412Lbs	202Kgs / 445Lbs	260Kgs / 572Lbs	260Kgs / 572Lbs	106Kgs / 234Lbs
Crated Weights	Kg/Lb	217Kgs / 478Lbs	235Kgs / 518Lbs	310Kgs / 674Lbs	310Kgs / 674Lbs	120Kgs / 264Lbs

\* DIMENSIONS ARE WITHOUT SIDE PANELS

\*\* SEE PLAN VIEW FOR ADDITIONAL EXTERIOR DIMENSIONS

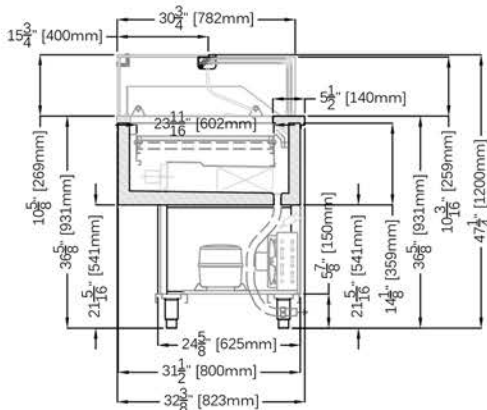
## GEM R4 DELI/PASTRY - B: 25 7/8"D

TECHNICAL FEATURES		MODELS					
		GEM R4 DP900	GEM R4 DP1000	GEM R4 DP1300	GEM R4 DP1500	GEM R4 DP1700	GEM R4 DP2000
External Dimensions (L-D-H)	Inches	35 7/16" - 25 7/8" - 47 1/4"	39 3/8" - 25 7/8" - 47 1/4"	51 3/16" - 25 7/8" - 47 1/4"	59 1/16" - 25 7/8" - 47 1/4"	66 15/16" - 25 7/8" - 47 1/4"	78 3/4" - 25 7/8" - 47 1/4"
	MM	1000 - 657 - 1200	1000 - 657 - 1200	1300 - 657 - 1200	1500 - 657 - 1200	1700 - 657 - 1200	2000 - 657 - 1200
Crated Dimensions (L-D-H)	Inches	41" - 31 3/8" - 53 1/8"	45" - 31 3/8" - 53 1/8"	59" - 31 3/8" - 53 1/8"	67" - 31 3/8" - 53 1/8"	74 3/4" - 31 3/8" - 53 1/8"	84" - 31 3/8" - 53 1/8"
	MM	1041 - 796 - 1350	1150 - 796 - 1350	1500 - 796 - 1350	1700 - 796 - 1350	1900 - 796 - 1350	2150 - 796 - 1350
Refrigeration	Type	Ventilated	Ventilated	Ventilated	Ventilated	Ventilated	Ventilated
Refrigeration Display Area	Type	Deck	Deck	Deck	Deck	Deck	Deck
Operating Temperature	°F	40°F	40°F	40°F	40°F	40°F	40°F
Compressor	Nr./Type	Hermetic	Hermetic	Hermetic	Hermetic	Hermetic	Hermetic
BTU'S @ +14°F Evap Temperature	BTU'S	2200 BTU'S	2200 BTU'S	2900 BTU'S	3600 BTU'S	3800 BTU'S	3100 BTU'S
Electric Supply	(V/Ph/Hz)	120/1/60	120/1/60	120/1/60	120/1/60	120/1/60	120/1/60
Power Consumption	(A)	8A	8A	10A	11A	12A	14A
Defrost	Mode/Type	Air	Air	Air	Air	Air	Air
Refrigerant Gas	Type	R404A	R404A	R404A	R404A	R404A	R404A
Net Weights	Kg/Lb	97Kgs / 214Lbs	110Kgs / 244Lbs	126Kgs / 278Lbs	148Kgs / 328Lbs	177Kgs / 392Lbs	192Kgs / 425Lbs
Crated Weights	Kg/Lb	136Kgs / 300Lbs	140Kgs / 310Lbs	156Kgs / 344Lbs	166Kgs / 368Lbs	207Kgs / 458Lbs	225Kgs / 498Lbs

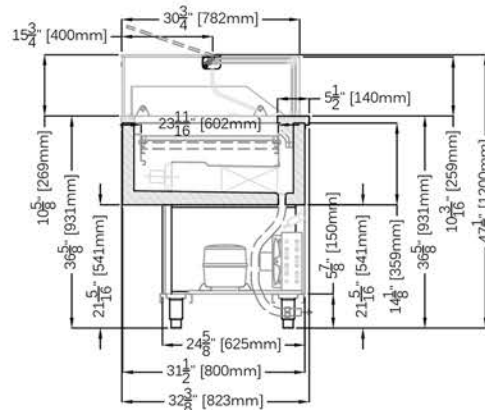
\* DIMENSIONS ARE WITHOUT SIDE PANELS

## GEM R4 - A: 32 3/8" DEPTH

### GEM R4



### OPTIONAL: GEM G1 SLIDING & LIFT UP GLASS



GEM R4 PHOTO SHOWN SLIDING GLASS (LEFT TO RIGHT) ON THE OPERATOR SIDE



GEM G1 PHOTO SHOWN WITH FRONT LIFT UP TOP GLASS

\* Manufacturer reserves the right to change specifications without notice. Not responsible for error and omissions.



361-367 Beach Road, Burlingame, CA 94010  
 Tel: 855.885.2400 | 650.342.2400 | Fax: 650.342.7400  
 sales@oscartek.com | www.oscartek.com

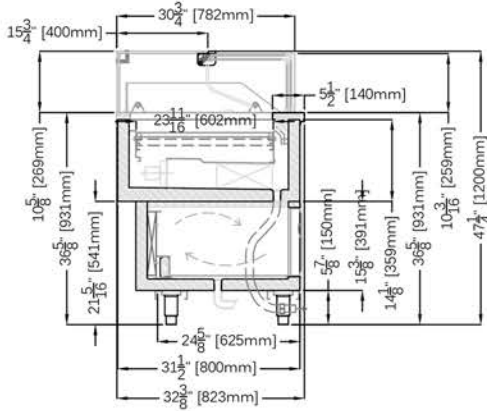


# GEM R4

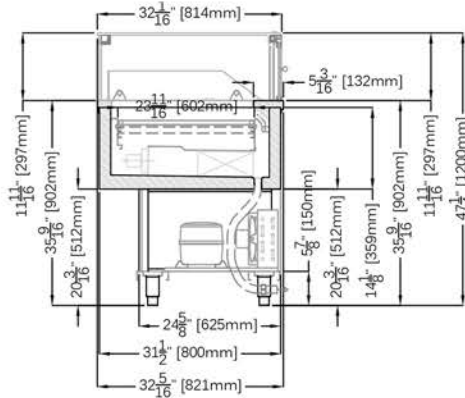
# Deli/Pastry Showcase

## GEM R4 - A: 32 3/8" DEPTH

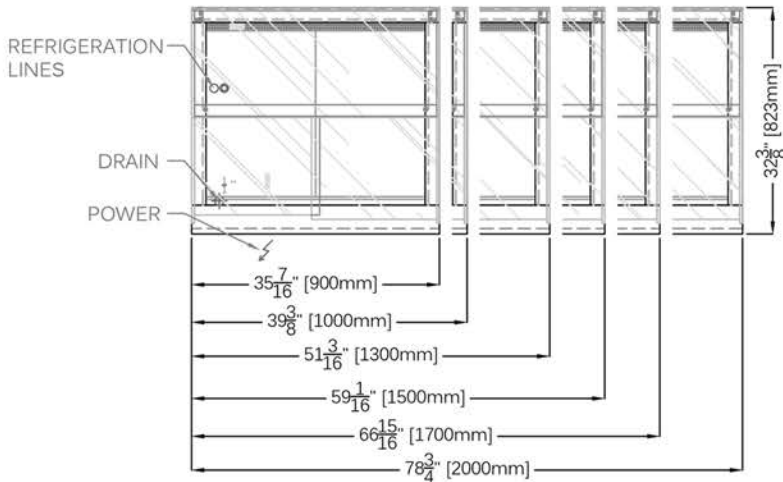
### OPTIONAL: COLD STORAGE



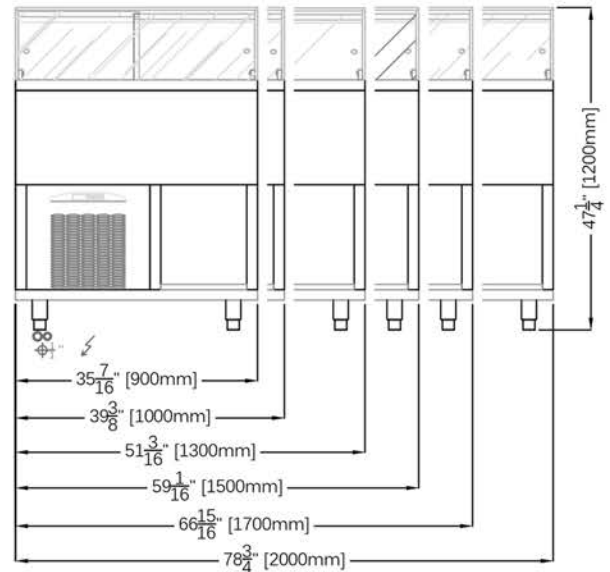
### GEM R4 - A45



### PLAN VIEWS



### REAR ELEVATIONS (OPERATOR SIDE)



### ELECTRICAL LEGEND

	REFRIGERATED LINES
	DRAIN
	POWER

\* Manufacturer reserves the right to change specifications without notice. Not responsible for error and omissions.



361-367 Beach Road, Burlingame, CA 94010  
 Tel: 855.885.2400 | 650.342.2400 | Fax: 650.342.7400  
 sales@oscartek.com | www.oscartek.com

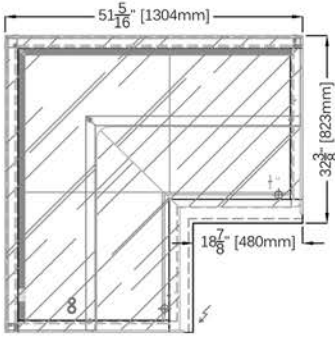


# GEM R4

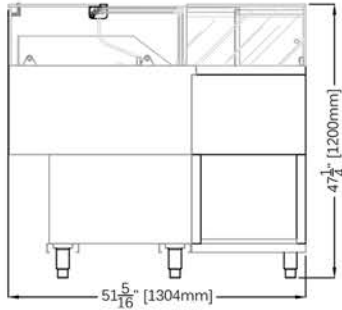
# Deli/Pastry Showcase

## GEM R4 A90

GEM R4 A90SQ  
PLAN VIEW

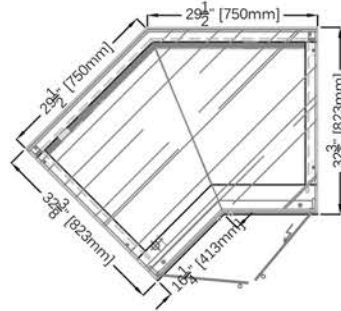


REAR ELEVATION  
(OPERATOR SIDE)

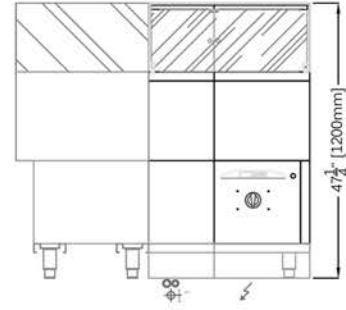


## GEM R4 A45

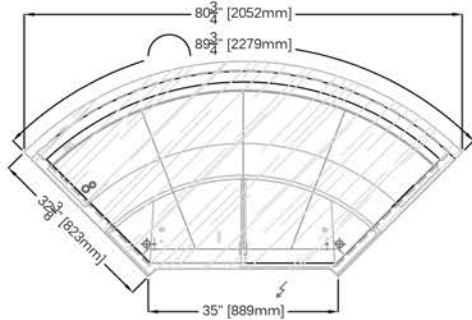
PLAN VIEW



REAR ELEVATION  
(OPERATOR SIDE)

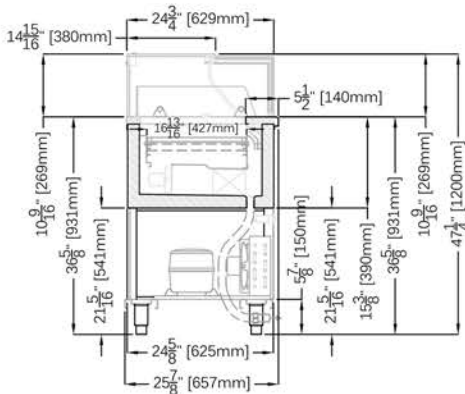


## GEM R4 A90C - PLAN VIEW

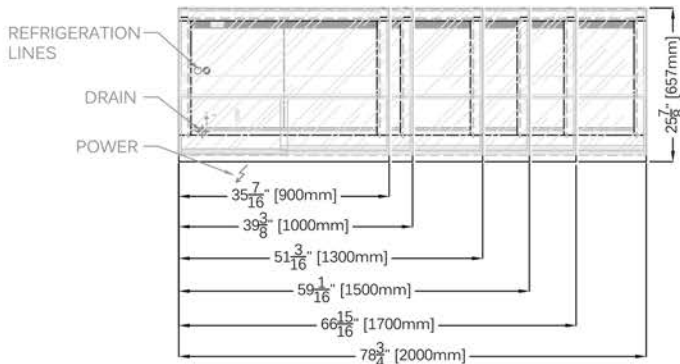


ELECTRICAL LEGEND	
	REFRIGERATED LINES
	DRAIN
	POWER

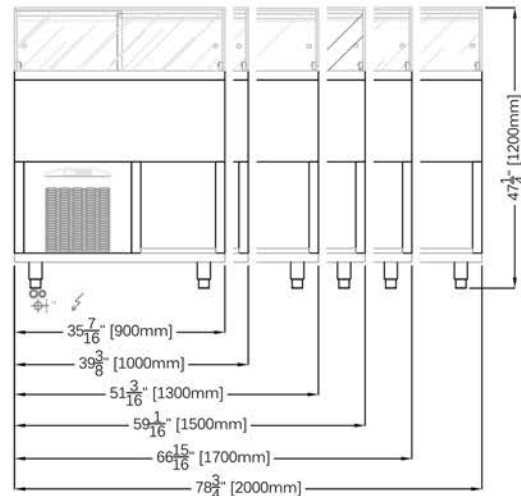
## GEM R4 - B: 25 7/8\"/>



PLAN VIEWS



REAR ELEVATIONS (OPERATOR SIDE)



\* Manufacturer reserves the right to change specifications without notice. Not responsible for error and omissions.



361-367 Beach Road, Burlingame, CA 94010  
 Tel: 855.885.2400 | 650.342.2400 | Fax: 650.342.7400  
 sales@oscartek.com | www.oscartek.com

