



Project _____

Item # _____

Quantity _____

3CS2 Hydro-Heater Sanitizing Sink Heaters

Models: 3CS2-3, -4, -6
3CS2-3B, -4B, -6B, -9B

The patented Hatco 3CS2 Hydro-Heater Sanitizing Sink Heater maintains a continuous supply of sanitizing rinse water at 180° F (82° C). Designed to fit under the center of the sink, the 3CS2 is perfect for 3- or 4-compartment sinks, pot and pan sinks and bar sinks.

Standard features

- Uses a combination of "free-flow" technology and advanced electronic controls for circulation of hot water by natural convection in a sanitizing sink
- Heating elements are wrapped around the outside of the flow tube, reducing sediment and lime buildup on the element, resulting in longer life
- A special electronic controller maintains the setpoint temperature ensuring a responsive and efficient operation
- All models include a stainless steel front, powdercoated body, low-water cut-off system, convenient drain outlet and clean-out caps



3CS2-3
Patented with optional auto-fill solenoid

Options (available at time of purchase only)

- All Stainless Steel Body and Base
- Auto-fill Solenoid
- Remote Mounted Control
- Security Package (Torx® Screws and Control Cover)

Accessories

- Flush Kit (Flush Hose, Cleaning Brush, Stopper and Adapter)

IFS anti-microbial coatings use naturally-occurring, environmentally sustainable, silver ions to help inhibit the growth of microbes on the powder coated surface. See www.hatcocorp.com/antimicrobial-paint for more information.

For operation, location and safety information, please refer to the Installation and Operating Manual.



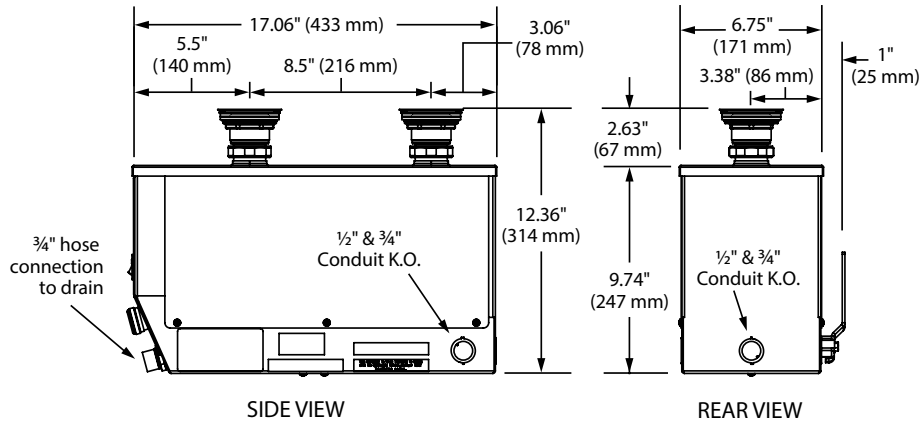
HATCO CORPORATION | P.O. Box 340500 Milwaukee, WI 53234-0500 U.S.A. | (800) 558-0607 | (414) 671-6350

www.hatcocorp.com | support@hatcocorp.com | [Find a Hatco Rep](#) | [Image Library](#) | [Document Library](#) | [Chat](#)



3CS2 Hydro-Heater Sanitizing Sink Heaters

Models: 3CS2-3, -4, -6, 3CS2-3B, -4B, -6B, -9B



SPECIFICATIONS

3CS2 Hydro-Heater Sanitizing Sink Heaters

Model	Dimensions (Width x Depth x Height)	Sink Area	Voltage 50/60Hz	kW	Phase	Amps	Wiring Sizing AWG†	Fuse or Circuit Breaker†	Ship Weight*
3CS2-3	7.75" x 17.06" x 12.36" (196 x 433 x 314 mm)	15" (381 mm) Sq. or less	208	3.0	Single	14.4	12	20	31 lbs. (14 kg)
3CS2-4		16-18" (406-457 mm) Sq.	208	4.0		19.2	10	30	
3CS2-6		19-21" (483-533 mm) Sq.	208	6.0		28.8	8	40	
3CS2-3B		15" (381 mm) Sq. or less	208	3.0	Three (Bal.)	8.4	14	15	35 lbs. (16 kg)
3CS2-4B		16-18" (406-457 mm) Sq.	240	4.0		7.3			
			208	4.0		11.2	14	20	
3CS2-6B	19-21" (483-533 mm) Sq.	240	6.0	9.6		12		15	
		208	6.0	16.7			30		
3CS2-9B	21-25" (533-635 mm) Sq.	208	9.0	14.5		20	40		

‡ Wire size is based on THHN copper wire for branch circuit protection at 0.91 derate factor. Circuit breakers and fused disconnects are to be mounted remote and wired by contractor. Sizes are based on the 2002 NEC table 310-16. Conduit size based on conductors plus ground wire sizing.

† Based upon THHN wire rated 90°C.

* Shipping weight includes packaging.

WATER QUALITY REQUIREMENTS

Incoming water in excess of 3.0 grains of hardness per gallon (GPG) (.75 grains of hardness per liter) must be treated and softened before being supplied to water heater(s). Water containing over 3.0 GPG (.75 GPL) will decrease the efficiency and reduce the operating life of the unit.

Note: Product failure caused by liming or sediment buildup is not covered under warranty.

SIZING INFORMATION

For a Sink Heater: MINIMUM 2000 WATTS (2.2 WATTS PER SQUARE CM) PER SQUARE FOOT of vessel top.

3CS2 Sink Heaters are sized based on 140°F supply water with a 30 minute preheat period to reach the sanitizing temperature. Sink Heaters are mounted in the center of the third compartment sink with standard plumbing fittings provided. Two 2" diameter holes are required for these fittings and a full size template is provided to locate holes in the sink. The 3CS2 Sink Heater is easily attached to the plumbing fittings with self-contained unions.

PRODUCT SPECS

3CS2 Hydro-Heater Sanitizing Sink Heaters

The electric heater shall be a Hydro-Heater model manufactured by the Hatco Corporation, Milwaukee, WI 53234 U.S.A.

The electric heater to maintain the final sanitizing rinse in a third compartment sink shall be rated at ... kW, ... volts, ... phase. The heater shall be complete with all internal plumbing and wiring ready for external installation to the bottom of sink.

The sink heater shall be equipped with an On/Off switch, a low-water cut-off, and a digital temperature display. The heater shall consist of powdercoated black hammertone front and body (or optional stainless steel body and base).

Warranty consists of 24/7 parts and service assistance (U.S. and Canada only).

HATCO CORPORATION | P.O. Box 340500 Milwaukee, WI 53234-0500 U.S.A. | (800) 558-0607 | (414) 671-6350



www.hatcocorp.com

support@hatcocorp.com

[Find a Hatco Rep](#)

[Image Library](#)

[Document Library](#)

[Chat](#)