

Impulse

ITEM NO: _____
 PROJECT: _____
 DATE: _____

Product Specifications

Non-Refrigerated Service/Self-Service Countertop Case - Vertical Front



MODEL SHOWN:
 CGSV4522 SERVICE
 W/ STAINLESS OPTION



MODEL SHOWN:
 CGSV4522 SELF-SERVICE
 W/ STAINLESS OPTION

- CGSV3422
- CGSV4522
- CGSV5722
- CGSV6922

Lengths include end panels
 34"L x 18"D x 22"H
 45"L x 18"D x 22"H
 57"L x 18"D x 22"H
 69"L x 18"D x 22"H

STANDARD FEATURES

- Clear glass swinging doors w/o lock
- Designed for service or self-service applications
- Glass end
- LED top light
- One year parts & labor warranty
- Shelving removable and adjustable on 1" centers. Can be angled at 10°, 0° or -10° allowing for service or self-service applications

Features	Standard	Options
INTERIOR / EXTERIOR COLOR	<input type="checkbox"/> Black	<input type="checkbox"/> Stainless steel
SHELVING	<input type="checkbox"/> (1) Upper clear glass shelf, lighted (LED 3500K) and (1) lower shelf, non-lighted	<input type="checkbox"/> (2) Clear glass shelves, lighted (LED 3500K)
ELECTRICAL CONNECT	<input type="checkbox"/> 12" straight blade power cord	<input type="checkbox"/> Electrical leads (non-refrigerated)
MISCELLANEOUS		<input type="checkbox"/> Second year parts & labor warranty

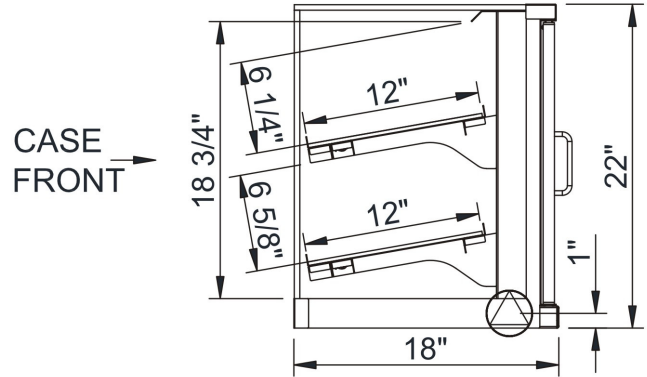
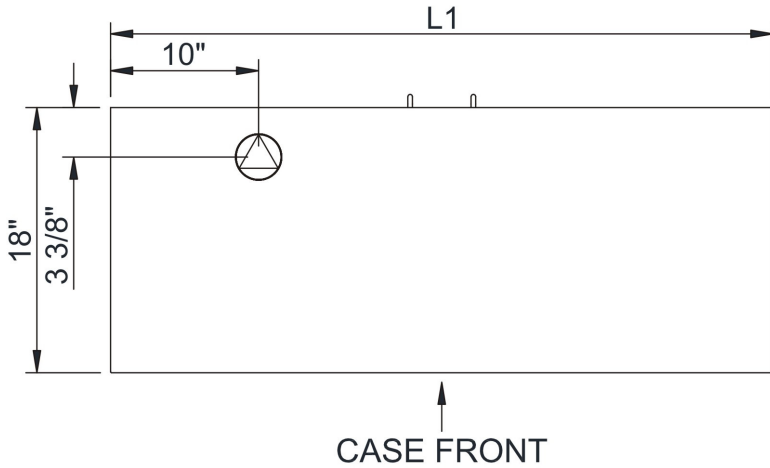
Impulse

Product Specifications



Intended Environment: Type I - Designed to operate in ambient conditions of 75°F with 55% relative humidity unless noted otherwise in system information below.		
Zone	Intended Product To Be Displayed	Warmest Avg Prod Temp ° F
1	Packaged non-refrigerated products	Ambient

PLAN VIEW

SIDE VIEW



NOTE: ALL DIMENSIONS APPROXIMATE

-  ELECTRICAL JUNCTION BOX (SUPPLIED WITH 6" LEADS OR POWER CORD).
-  LOCATION OF DRAIN TUBE FOR REMOTE REF. ONLY (SUPPLIED WITH 3/4" OR 1 1/2" PVC TUBE).

-  REFRIGERATION LINE CONNECTION.
-  REMOTE FLOOR SINK & UTILITIES ACCESS AREA.

-  SELF-CONTAINED CASE SERVICE ACCESS AREA.
-  DRY CASE SERVICE ACCESS AREA.

Model Technical Specifications

Model	L"	L1"	L2"	System Circuit Volts	Circuit #1	Phs	Freq	Amps ***	Watts	Wires	NEMA Plug	SST	Conv. Rack BTUH	Para. Rack BTUH	Est Wt	
CGSV3422	N/A	34.00	.00	Ambient/Lights	Circuit #1	110-120	1	60	0.70	11	2+G	5-15P	N/A	N/A	N/A	350
CGSV4522	N/A	45.00	.00	Ambient/Lights	Circuit #1	110-120	1	60	0.70	17	2+G	5-15P	N/A	N/A	N/A	375
CGSV5722	N/A	57.00	.00	Ambient/Lights	Circuit #1	110-120	1	60	0.70	21	2+G	5-15P	N/A	N/A	N/A	400
CGSV6922	N/A	69.00	.00	Ambient/Lights	Circuit #1	110-120	1	60	0.70	26	2+G	5-15P	N/A	N/A	N/A	425

*** Does not include electric defrost on freezer models.

Important Notes:

- 1) Electrical Note: If GFCI is required, a GFCI breaker Must be used in lieu of a GFCI receptacle.
- ⚠ WARNING:** This product can expose you to chemicals, including Urethane (Ethyl Carbamate), which are known to the State of California to cause cancer and birth defects or other reproductive harm. For more information go to www.P65Warnings.ca.gov.

Regulatory Approvals:

All Models	ETL Listed to UL 65 ETL Sanitation to NSF 2
------------	--

