

VICTORY[®] ULTRASPEC

PROJECT: _____

ITEM # _____ QTY: _____

MODEL # _____

AIA # _____ SIS # _____

EXTRA WIDE REACH-IN WARMING CABINET & REFRIGERATOR

HRSA-2D-S1-EW-HD-HC



EXCLUSIVE WARRANTY

- ▶ 6 Year Parts & Labor Warranty
- ▶ 7 Year Compressor Warranty
- ▶ Exclusive 2 Year Warranty On Magnetic Door Gaskets
- ▶ Lifetime Warranty On Handles & Hinges (parts only)



CABINET CONSTRUCTION

- Stainless Steel Exterior
- Aluminum Interior
- Stainless Steel Interior Door Liner
- Warming Cabinet On The Left, Refrigerator On The Right
- Stay-Open Door Feature For Easy Product Loading
- 20 Gauge Stainless Steel Door
- Refrigerator Has Magnetic Door Switch Automatically Activates Interior LED Light
- Warmer Has Magnetic Door Switch Automatically Activates Interior Incandescent Light
- Heavy-Duty Cylinder Locks
- One-Piece, Snap-In Magnetic Door Gaskets
- Low Profile Vertical Door Handles
- Hinged Front Shroud
- Thermal Breaker
- Stainless Steel Breaker Caps
- 6 Silver Freeze Wire Shelves
- 6" High Adjustable Stainless Steel Legs
- 8' Cord And Plug (see electrical data for details)

FEATURES

- Full Electronic Control With Touchpoint Interface
- Expansion Valve Technology (refrigerator only)
- Insulated Partition Wall Separates Compartments

REFRIGERATION

- Refrigeration System Uses R290 Refrigerant To Comply With All Environmental Concerns
- Hot Gas Condensate Evaporator
- Automatic Non-Electric, Defrost
- Epoxy Coated Evaporator Coil, Located Out Of The Food Zone
- Refrigerator Capable Of Maintaining Product Temperature 36°F To 38°F

HEATING

- Warming Cabinet Maintains Product Temperature 80°F To 180°F



Please Verify Qualifying Units By Visiting:
www.energystar.gov/cfs



OPTIONS & ACCESSORIES

- | | | |
|------------------------------|---------------------------------------------|-------------------------------------------------------------------------------------------------------------------------------|
| • Secure-Temp™ Technology | • Exterior Door Laminate | • 6" Casters Or 6" Seismic Legs |
| • Stainless Steel Case Back | • Additional Shelves | • Correctional Package |
| • Stainless Steel Kick Plate | • Tray Slides (type A & A/C) | • Remote Models* (refrigerators & 6" legs only)
(refrigerant must be specified at time of order, see note on back on page) |
| • Glass Door Models | • Door Swing Orientation (at time of order) | |

3779 Champion Blvd, Winston-Salem, NC 27105

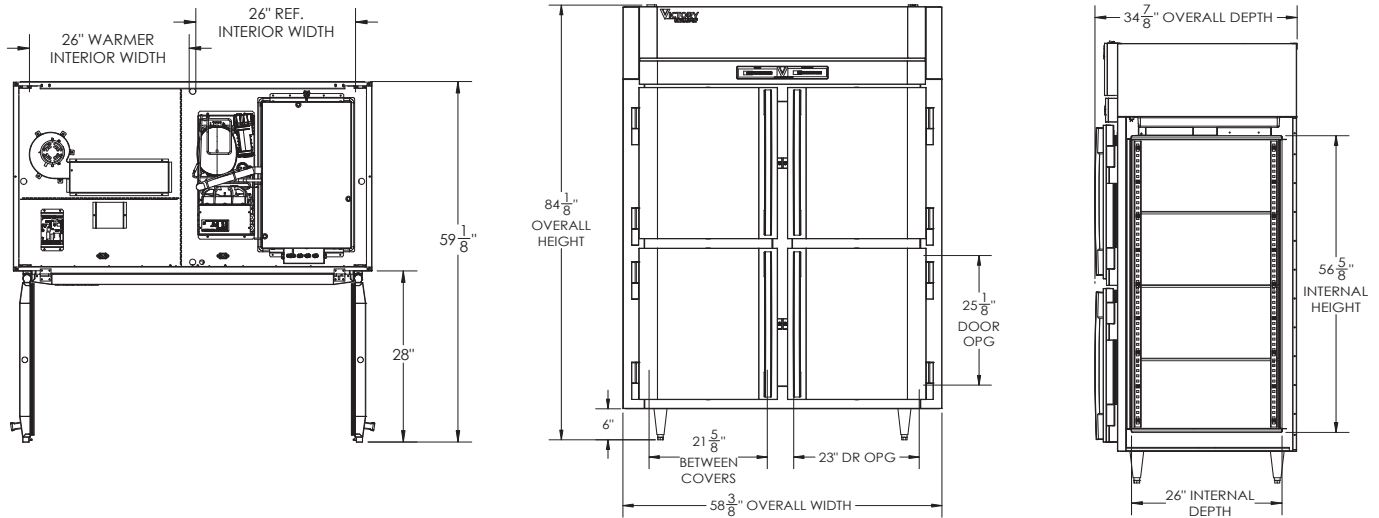
ph: (888) 845-9800 | fax: (800) 253-5168

Sales@VictoryRefrigeration.com | VictoryRefrigeration.com

Rev. 9/1/23 Printed in the U.S.A.

APPROVAL: _____ DATE: _____

EXTRA WIDE DUAL TEMP REACH-IN WARMING CABINET & REFRIGERATOR



We reserve the right to change specifications and product design without notice. Such revisions do not entitle the buyer to corresponding changes, improvements, additions or replacements for previously purchased equipment. Dimensional tolerances +/- 1/4". Metric dimensions (MM)

12" Top, 3" sides and rear clearance is required

CHARACTERISTICS		ELECTRICAL DATA REFRIGERATOR		SHIPPING DETAILS	
Net Capacity R/W	23.8/23.8	Cabinet Voltage**	115/60/1	Height	88"
Width, Overall (in.)	58 3/8"	Total Amperes	6.5	Width	66"
Depth, Overall (with handle)	34 7/8"	NEMA Plug (8' cord)	5-15P	Depth	41"
Height Overall (6" legs)	84 1/8"	REFRIGERATION DATA		Crated Weight	670 lbs
Depth, Door Open 90°	59 1/8"	Condensing Unit Size, HP	1/3	*NOTE: Remote unit are field wired and come with 6" legs. Refrigerant must be specified at time of order.	
Door Openings (in.)	23" x 25 1/8"	Refrigerant	R290		
No. Of Doors / Shelves	4/6	Capacity (BTU/HR) (100°F/20°F)	Refrigerator - 2220 Warmer - N/A		
ELECTRICAL DATA WARMING CABINET		Heat Rejection (BTU/HR)	3330		
Cabinet Voltage	230/60/1	Charge (lbs/grams)	0.372/169		
Total Amperes	3.7				
NEMA Plug (8' cord)	6-20P				

** NOTE: This unit utilizes variable speed compressor technology. The compressor can experience nuisance tripping on Class A GFCI outlets which have a trip limit of 4 mA to 6 mA. To avoid this issue in a location that requires GFCI circuit protection, Victory recommends using a HUBBELL Model Number GFRST83W 20A Heavy Duty Hospital Grade Self-Test GFCI Receptacle.

3779 Champion Blvd, Winston-Salem, NC 27105 | ph: (888) 845-9800 | fax: (800) 253-5168

Sales@VictoryRefrigeration.com | VictoryRefrigeration.com

Rev. 9/1/23 Printed in the U.S.A.

an Ali Group Company



The Spirit of Excellence