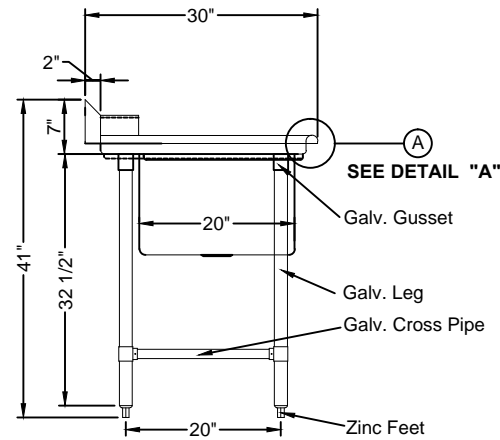
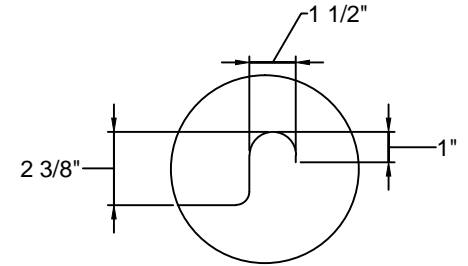


FRONT ELEVATION

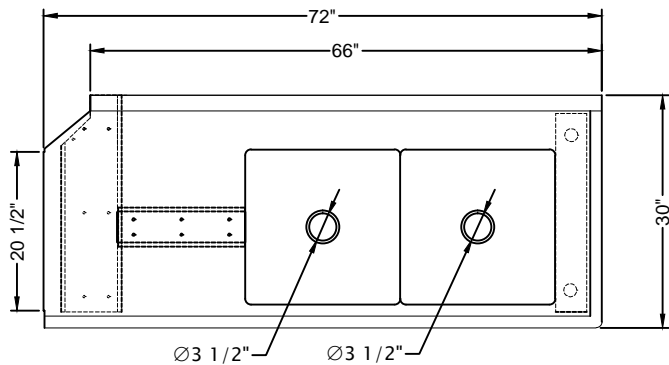


SIDE VIEW

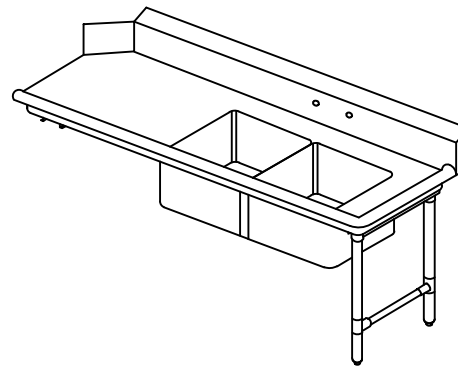
- 16 GA. Stainless Steel Construction.
- Galv. gusset and Galv. leg and Zinc feet



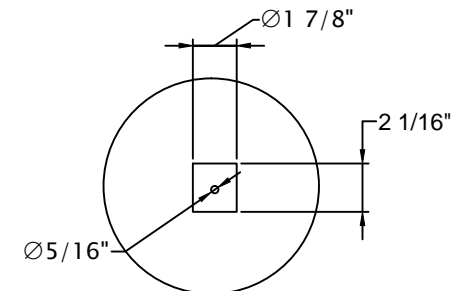
DETAIL "A"



PLAN VIEW



ISOMETRIC



DETAIL "B"

DRAWIN FOR :	MAT.	TOP : 16GA. S/S. BASE :	DATE	REVISIONS	<h1>Tarrison Products Ltd.</h1>
REF. NO :	REQ'D/ITEM :				
ITEM NAME : Soiled Pot-dish Tabling	DATE : Jul / 07 / 2017				
PROD. NO. : TA-SPDT272R	BY :				
SCALE: 1/2" =1'-0"	CHECKED BY :				