



T&S BRASS AND BRONZE WORKS, INC.
 2 Saddleback Cove / P.O. Box 1088
 Travelers Rest, SC 29690

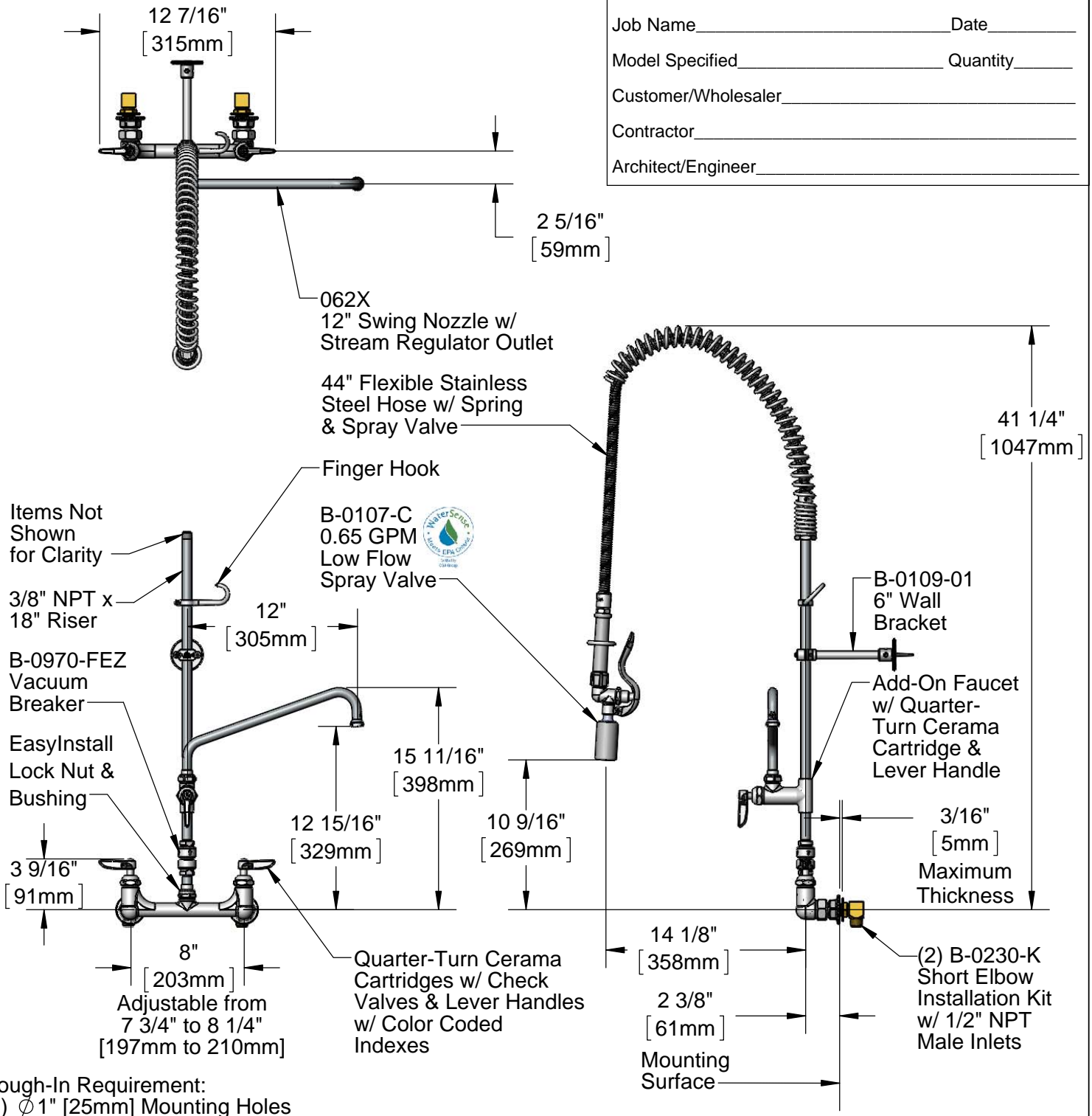
Model No.
B-0133-12CRVBCE

Item No.

Travelers Rest, SC: 800-476-4103 • Simi Valley, CA: 800-423-0150 • Fax: 864-834-3518 • www.tsbrass.com

This Space for Architect/Engineer Approval

Job Name _____ Date _____
 Model Specified _____ Quantity _____
 Customer/Wholesaler _____
 Contractor _____
 Architect/Engineer _____



Product Specifications:
 Pre-Rinse Unit: EasyInstall 8" Wall Mount Mixing Faucet, Quarter-Turn Cerama Cartridges w/ Check Valves, Lever Handles, Add-On Faucet w/ 12" Swing Nozzle, 18" Riser, 44" Flexible Stainless Steel Hose, 0.65 GPM Low Flow Spray Valve, 6" Wall Bracket, Vacuum Breaker & Installation Kit w/ 1/2" NPT Male Inlets

Product Compliance:
 ASME A112.18.1 / CSA B125.1
 NSF 61 - Section 9
 NSF 372 (Low Lead Content)
 EPA Act 2005 (PRSV)
 EPA WaterSense (PRSV)
 CSA B64.8 (VB)



T&S BRASS AND BRONZE WORKS, INC.

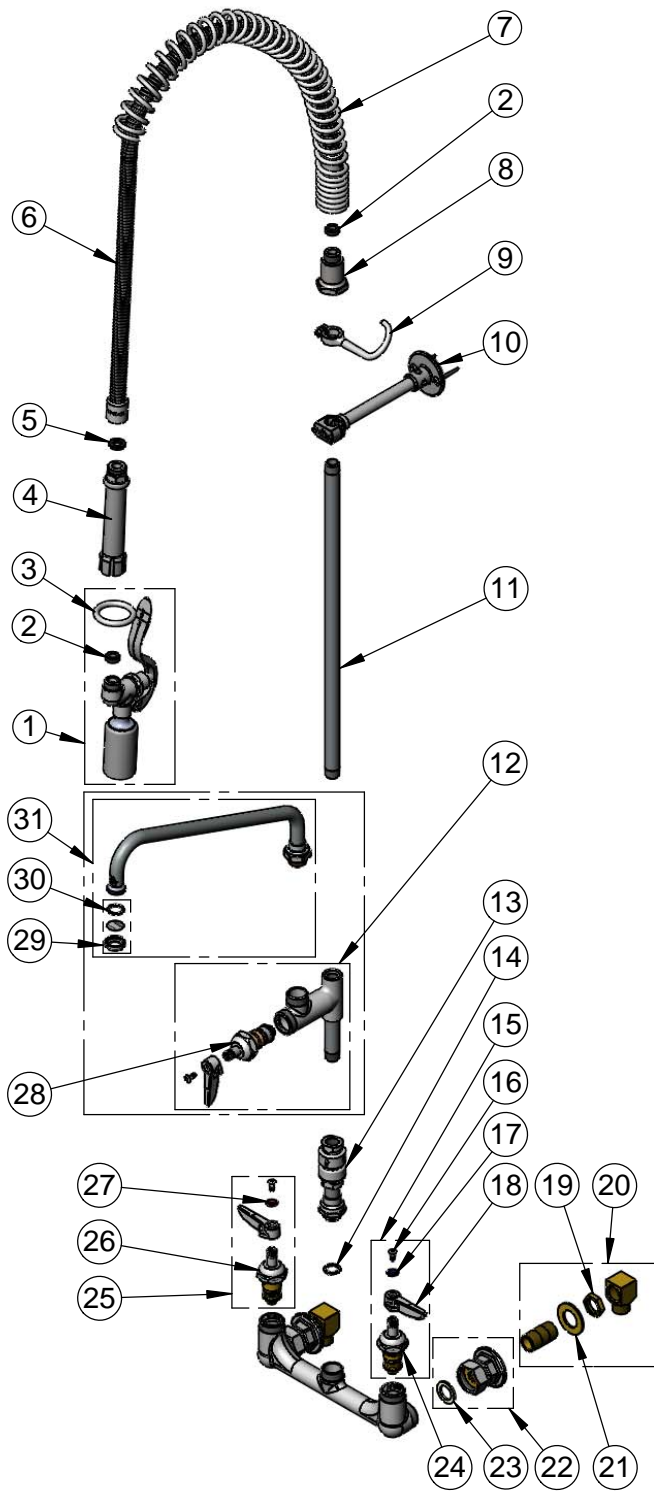
2 Saddleback Cove / P.O. Box 1088
Travelers Rest, SC 29690

Model No.

B-0133-12CRVBCE

Item No.

Travelers Rest, SC: 800-476-4103 • Simi Valley, CA: 800-423-0150 • Fax: 864-834-3518 • www.tsbrass.com



| ITEM NO. | SALES NO. | DESCRIPTION |
|----------|------------|--|
| 1 | B-0107-C | 0.65 GPM Low Flow Spray Valve |
| 2 | 010476-45 | #27 Washer |
| 3 | 000907-45 | Spray Valve Hold Down Ring |
| 4 | 002987-40 | Grip Handle |
| 5 | 001014-45 | Washer, B-0100 Hose Barrel |
| 6 | B-0044-H2A | 44" Flexible Stainless Steel Hose, Less Handle |
| 7 | 000888-45 | EasyInstall Overhead Spring |
| 8 | 000821-40 | Spring Body |
| 9 | 004R | Finger Hook |
| 10 | B-0109-01 | 6" Wall Bracket |
| 11 | 000369-40 | 3/8" NPT x 18" Long Riser |
| 12 | B-0156-CR | Add-On Faucet w/ 12" Swing Nozzle |
| 13 | B-0970-FEZ | EasyInstall Vacuum Breaker |
| 14 | 014200-45 | Star Washer, Anti-Rotation |
| 15 | 012447-25 | Quarter-Turn Cerama Cartridge, LTC w/ Check Valve, Handle, Index & Screw |
| 16 | 000922-45 | Lever Handle Screw |
| 17 | 001660-45 | Blue Index-CW |
| 18 | 001638-45 | Lever Handle |
| 19 | 002954-45 | Shank Lock Nut |
| 20 | B-0230-K | Short Elbow Installation Kit |
| 21 | 000999-45 | Brass Lock Washer |
| 22 | 00AA | 1/2" NPT Female Eccentric Flange |
| 23 | 001019-45 | Coupling Nut Washer |
| 24 | 012395-25 | Quarter-Turn Cerama Cartridge, LTC w/ Check Valve |
| 25 | 012446-25 | Quarter-Turn Cerama Cartridge, RTC w/ Check Valve, Handle, Index & Screw |
| 26 | 012394-25 | Quarter-Turn Cerama Cartridge, RTC w/ Check Valve |
| 27 | 001661-45 | Red Index-HW |
| 28 | 011278-25 | Quarter-Turn Cerama Cartridge, RTC |
| 29 | B-PT | Stream Regulator Outlet |
| 30 | 001048-45 | Nozzle Tip Washer |
| 31 | 062X | 12" Swing Nozzle |

Product Specifications:

Pre-Rinse Unit: EasyInstall 8" Wall Mount Mixing Faucet, Quarter-Turn Cerama Cartridges w/ Check Valves, Lever Handles, Add-On Faucet w/ 12" Swing Nozzle, 18" Riser, 44" Flexible Stainless Steel Hose, 0.65 GPM Low Flow Spray Valve, 6" Wall Bracket, Vacuum Breaker & Installation Kit w/ 1/2" NPT Male Inlets

Product Compliance:

ASME A112.18.1 / CSA B125.1
NSF 61 - Section 9
NSF 372 (Low Lead Content)
EPA Act 2005 (PRSV)
EPA WaterSense (PRSV)
CSA B64.8 (VB)