



YOU CAN TRUST

ECONOMY SLICERS

GL200F / GL250F / GL300F



STANDARD FEATURES

- Our line of economy manual slicers is an excellent choice for small to medium operations with limited space and/or budget.
- These light to medium duty manual Slicers are equipped with top mounted sharpener always ready to use. Stones edge swings clear of blade when not in use. Grinding and honing stones can be used independently or simultaneously.
- Belt driven.
- Moisture proof on/off switch
- Carriage, gauge plate and knife cover easily removable without tools and streamlined design, rounded corners make thorough cleaning practical and easy.
- Nonslip rubber feet.
- These units are suitable for sub shops, restaurants, hotels and similar meat slicing applications. Not recommended for slicing cheese.



GL200F
8" ECONOMY SLICER



GL250F
10" ECONOMY SLICER



GL300F
12" ECONOMY SLICER



ITALIAN BLADE

Models feature chromium-plated steel knife made in Italy.



Skyfood Equipment LLC
175 SW 7th Street, Ste 2416
Miami, FL 33130

Toll Free:
1-800-503-7534
sales@skyfood.us

www.skyfood.us



Follow us to keep up to date with the latest news and offers

/SkyfoodEquipment

/SkyfoodEquipment

/SkyfoodEquipment

ILLUSTRATIVE PHOTO, ACTUAL PRODUCTS AND ACCESSORIES ARE SUBJECT TO CHANGE WITHOUT NOTICE.



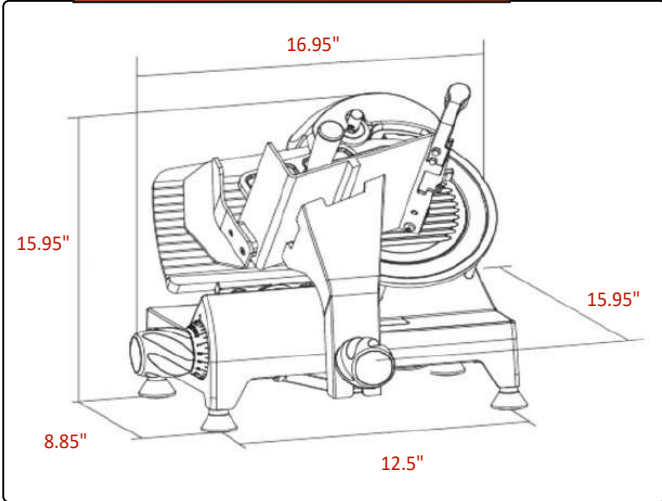
YOU CAN TRUST

ECONOMY SLICERS

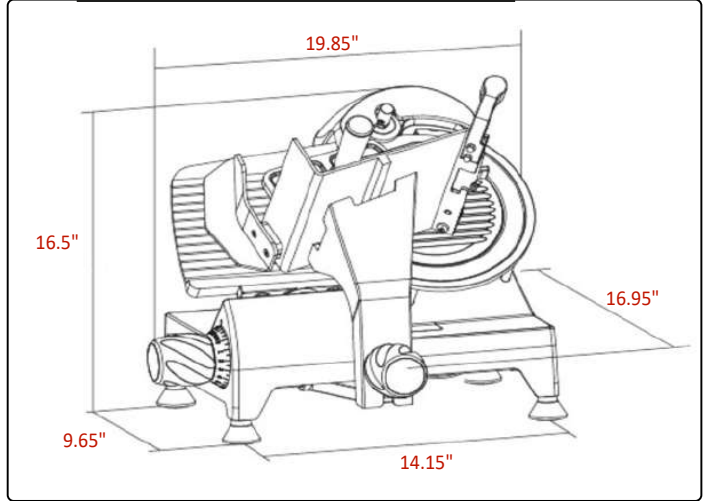
GL200F / GL250F / GL300F



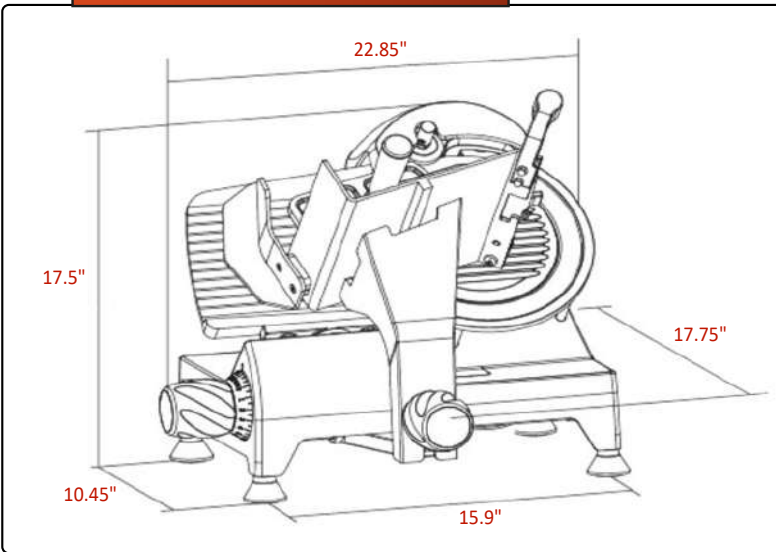
DIMENSIONS / GL200F



DIMENSIONS / GL250F



DIMENSIONS / GL300F



WARRANTY 01 YEAR PARTS AND LABOR VALID IN THE CONTINENTAL UNITED STATES.



Item	Voltage	Power Rating	Amps	Dimensions (W x D x H)	Weight (Net x Ship)	Blade	Cutting (W x H)	Max. Slice	PLUG
GL200F	110 V	1/4 HP	2	16.95" x 15.95" x 15.95"	5.3 lb x 6 lb	8"	6" x 4 1/2"	9/16"	NEMA 5-15P
GL250F	110 V	1/3 HP	3	19.85" x 16.95" x 16.5"	10.4 lb x 11 lb	10"	7 1/2" x 5 1/2"	9/16"	NEMA 5-15P
GL300F	110 V	1/3 HP	3	22.85" x 17.75" x 17.5"	11 lb x 12 lb	12"	7 7/8" x 8 3/4"	9/16"	NEMA 5-15P



Skyfood Equipment LLC
175 SW 7th Street, Ste 2416
Miami, FL 33130

Toll Free:
1-800-503-7534
sales@skyfood.us

www.skyfood.us



Follow us to keep up to date with the latest news and offers

[/SkyfoodEquipment](#)

[/SkyfoodEquipment](#)

[/SkyfoodEquipment](#)

ILLUSTRATIVE PHOTO, ACTUAL PRODUCTS AND ACCESSORIES ARE SUBJECT TO CHANGE WITHOUT NOTICE.