



QUALITY FOOD SERVICE EQUIPMENT

# SPECIFICATION SHEET

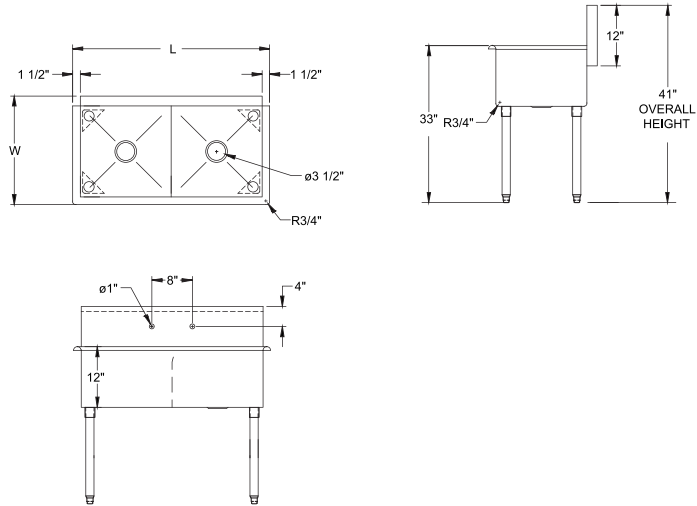
Model #:	_____	Qty:	_____
Project #:	_____		
Consultant:	_____		

## BUDGET SINKS

2 bowls



## DIMENSIONS



## MATERIAL

- ◆ 18GA 430 stainless steel fabricated
- ◆ Galvanized legs
- ◆ Plastic bullet feet

## FEATURES

- ◆ 8"H backsplash with 2" return to wall
- ◆ 8" on center splash mount faucet holes
- ◆ 3-1/2" die-stamped drain opening

Add a detachable drainboard to any budget sink (for specs see model #'s BDD-1818, BDD-1821, BDD-2424)

Model#	Bowl Size LxWxH	Length	Width
2BSG-1818	18" X 18" X 12"	39"	21-1/2"
2BSG-1821	18" X 21" X 12"	39"	24-1/2"
2BSG-2424	24" X 24" X 12"	51"	27-1/2"

*budget sinks are not NSF certified*

(609) 642-8389 | sales@nbrequipment.com | www.nbrequipment.com