

Project: \_\_\_\_\_

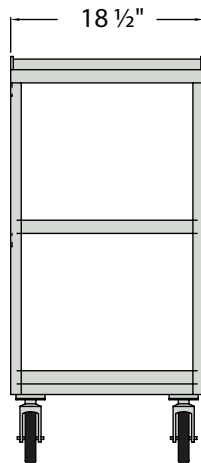
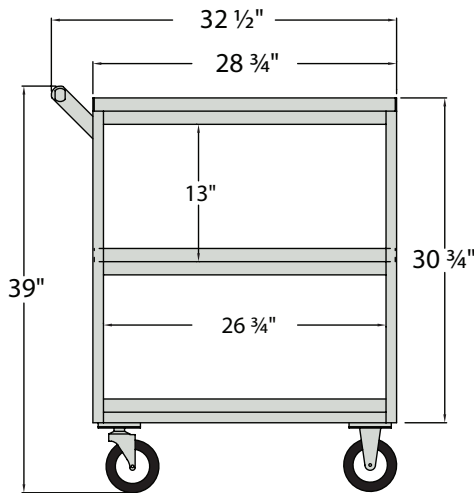
Item: \_\_\_\_\_

Quantity: \_\_\_\_\_

## Utility Cart - Correctional Duty



97769



Ideal three-shelf unit for various tasks such as serving, bussing and general utility. All welded aluminum construction boasts the strength and durability of stainless steel at much less the cost.

- Hi-tensile, corrosion resistant, rust proof, primary extruded aluminum, Type 6463-T5 alloy.
- All heli-arc welded with seams welded (no rivets).
- Heavy duty all welded frame construction consists of 1" x 1" x .070 wall extruded aluminum tube.
- Each shelf is constructed of a .080 aluminum sheet with three 1 1/4" lips (full 1 1/4" hem) up and one full 1 1/4" hemmed lip down.
- Constructed of 1/4" x 1 1/2" aluminum strap welded to the frame uprights with round tube handle bolted in place.
- Four 5" diameter platform type casters with non-marking wheels; two swivel, two rigid.
- Five-Year Guarantee against material defects and workmanship.
- Lifetime Guarantee against rust and corrosion.
- NSF Certified.

### ► Correctional Duty Utility Cart

Model No.	Size W-H-L	Shelf Size	Shelf Spacing	Weight Capacity	Ship Lbs.
97769	18 1/2" x 39" x 32 1/2"	18 1/2" x 28 3/4"	14 1/2"	550 lbs.	42

Four 5" plate type casters; two swivel, two rigid. Attached with tamper proof fasteners.

**Three tier solid shelf unit:** each shelf with three sides up 1 1/4" and one side down 1 1/4".

**Options:** Options may not be NSF Certified. Contact the factory.

- Caster Locks (2)** - Add "CL" suffix to model #.
- Corner Bumpers (4)** - Add "B" suffix to model #.
- Vertical Bumpers (4)** - Add "VB" suffix to model #.



New Age Industrial Corp., Inc. || [NewAgeIndustrial.com](http://NewAgeIndustrial.com) || Made in the USA

PO Box 520 • 16788 US Hwy 36 • Norton, Kansas 67654 || Phone: (800) 255-0104 • (785) 877-5121 || Fax: (877)-877-7687 • (785) 877-2616

This information is for general sales and engineering use only. New Age Industrial reserves the right to modify or make changes at any time, without notice, to materials and specifications.