



STAINLESS STEEL
REGALINE SINKS
 Two Compartment - Two Drainboards

YES! It's SeaLess!



Item #: _____ Qty #: _____
 Model #: _____
 Project #: _____



93 & 9 SERIES
 Adjustable Side
 Cross-Bracing



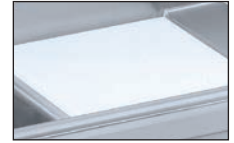
94 SERIES
 Adjustable Side &
 Front Cross-Bracing



93 & 9 Series Adjustable
 Side Cross-Bracing



94 Series Adjustable
 Side & Front Cross-Bracing



Recessed Bowl Surface
 Accommodates Poly-Vance
 Cutting Boards & Sink Covers

FEATURES:

- Tile edge for ease of installation.
- One piece **Deep Drawn** sink bowls with integral drainboards with splash.
- All sink bowls have a large liberal 3" radius.
- "94" Series is supplied with adjustable front and side cross braces featuring leg clamps.
- "93" & "9" Series is supplied with adjustable side cross braces featuring leg clamps.

CONSTRUCTION:

All TIG welded.
 Welded areas blended to match adjacent surfaces and to a satin finish.

MATERIALS:

- Spec-Line (94 Series):** 14 gauge type 304 stainless steel
11" High Splash.
- Standard (93 Series):** 16 gauge type 304 stainless steel
8" High Splash.
- Super Saver (9 Series):** 18 gauge type 304 stainless steel
8" High Splash.

- LEGS:**
- 1 5/8" diameter tubular stainless steel.
 - Stainless steel gussets.
 - Stainless Steel 1" adjustable bullet feet.

Bowl Size	O.A. Length	DRBD. Size	SPEC-LINE 94 Series		STANDARD 93 Series		SUPER SAVER 9 Series		Cu. Ft.
			Model #	WT.	Model #	WT.	Model #	WT.	
16" x 20"	72"	18"	14 Ga. 304 S/S 14" Water Level		16 Ga. 304 S/S 12" Water Level		18 Ga. 304 S/S 12" Water Level		
	85"	24"	94-2-36-18RL	141 lbs.	93-2-36-18RL	118 lbs.	9-2-36-18RL	100 lbs.	40
	109"	36"*	94-2-36-24RL	156 lbs.	93-2-36-24RL	130 lbs.	9-2-36-24RL	110 lbs.	46
20" x 20"	81"	18"	94-2-36-36RL	212 lbs.	93-2-36-36RL	169 lbs.	9-2-36-36RL	144 lbs.	58
	93"	24"	94-22-40-18RL	176 lbs.	93-22-40-18RL	147 lbs.	9-22-40-18RL	125 lbs.	44
	117"	36"*	94-22-40-24RL	220 lbs.	93-22-40-24RL	184 lbs.	9-22-40-24RL	162 lbs.	50
18" x 24"	117"	36"*	94-22-40-36RL	273 lbs.	93-22-40-36RL	237 lbs.	9-22-40-36RL	215 lbs.	72
	77"	18"	N/A		93-62-36-18RL	206 lbs.	9-62-36-18RL	181 lbs.	50
	89"	24"	N/A		93-62-36-24RL	241 lbs.	9-62-36-24RL	226 lbs.	58
24" x 24"	113"	36"*	N/A		93-62-36-36RL	297 lbs.	9-62-36-36RL	271 lbs.	96
	101"	24"	94-42-48-24RL	339 lbs.	93-42-48-24RL	295 lbs.	9-42-48-24RL	259 lbs.	65
	125"	36"*	94-42-48-36RL	391 lbs.	93-42-48-36RL	339 lbs.	9-42-48-36RL	314 lbs.	96
20" x 28"	81"	18"	94-82-40-18RL	251 lbs.	93-82-40-18RL	219 lbs.	9-82-40-18RL	194 lbs.	64
	93"	24"	94-82-40-24RL	294 lbs.	93-82-40-24RL	253 lbs.	9-82-40-24RL	228 lbs.	73
	117"	36"*	94-82-40-36RL	333 lbs.	93-82-40-36RL	287 lbs.	9-82-40-36RL	261 lbs.	96
* Regalines with 36" Drainboards are Supplied with Two Additional Legs (per drainboard) for Support.			14" Water Level 18" Flood Level		12" Water Level 16" Flood Level		12" Water Level 16" Flood Level		

Weights & Cubes Are Approximate



Customer Service Available To Assist You **1-800-645-3166** 8:30 am - 7:00 pm E.S.T.

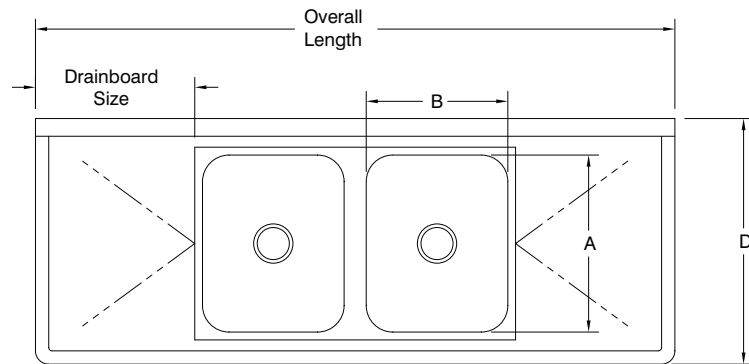
For Orders & Customer Service:
 Email: customer@advancetabco.com or Fax: 631-242-6900

For Smart Fabrication™ Quotes:
 Email: smartfab@advancetabco.com or Fax: 631-586-2933

DIMENSIONS and SPECIFICATIONS

TOL Overall: ± .500"
Interior: ± .250"

ALL DIMENSIONS ARE TYPICAL

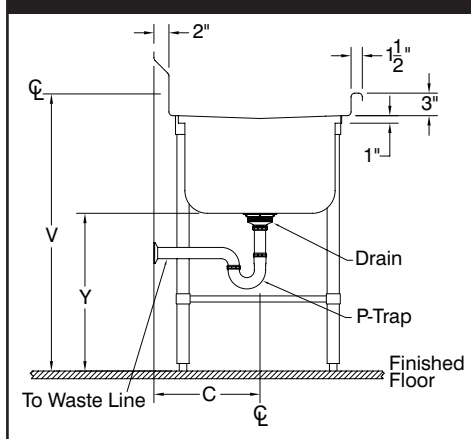


DESCRIPTION

BOWL SIZE	Overall Length	DRBD SIZE	Recommended Use	A	B	C	D	94 SERIES					9 & 93 SERIES				
								V	W	X	Y	Z	V	W	X	Y	Z
16"x20"	72"	18"	DISH SINKS	20"	16"	14 1/8"	28"	38"	11"	14"	19"	45"	38"	8"	12"	21"	42"
	85"	24"															
	109"	*36"															
20"x20"	81"	18"	DISH & POT SINKS	20"	20"	14 1/8"	28"	38"	11"	14"	19"	45"	38"	8"	12"	21"	42"
	93"	24"															
	117"	*36"															
18"x24"	77"	18"	POT & PAN SINKS	24"	18"	16 1/8"	32"	38"	11"	14"	19"	45"	38"	8"	12"	21"	42"
	89"	24"															
	113"	*36"															
24"x24"	101"	24"	POT SINKS	24"	24"	16 1/8"	32"	38"	11"	14"	19"	45"	38"	8"	12"	21"	42"
	125"	*36"															
20"x28"	81"	18"	PAN SINKS	28"	20"	18 1/8"	36"	38"	11"	14"	19"	45"	38"	8"	12"	21"	42"
	93"	24"															
	117"	*36"															

* Regalines with 36" Drainboards are Supplied with Two Additional Legs (per drainboard) for Support.

PLUMBING ROUGH-IN



MECHANICAL:

- Supply is 1/2" IPS hot & cold.
- Faucet holes on 8" centers.
- Faucets are not included (see accessories).
- Waste drains are 1 1/2" IPS S/S basket type, located in center of sink bowl, and are included.



SECTION

