



CR-X3PB-COMP 3-Button Single Spout Water Tower



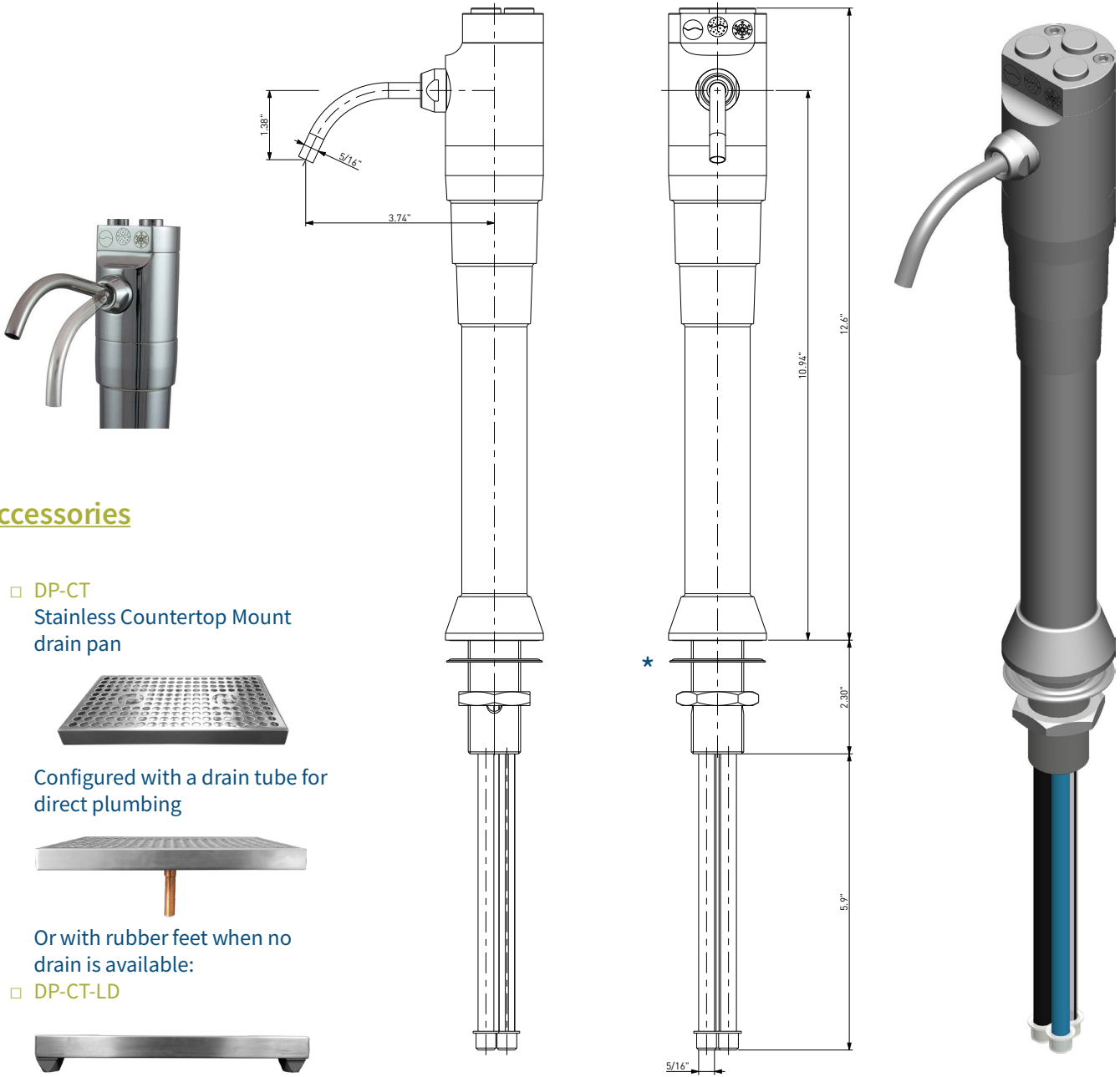
Sparkling, Chilled Still & Ambient Single Spout Water Tower

An elegant handmade turned brass bar, in a chrome finish, single dispense spout with 3 push-to-dispense buttons and engraved water type symbols. Stainless steel and plastic internal components.

Drafts still chilled water, sparkling chilled water, and ambient temp water. Pushing two buttons together blends water types for alternative temps or a modified carbonation profile. Nozzle pivots so you can adjust its angle for your ideal dispensing position.

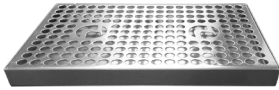
Specifications

- Includes in-line flow control device for adjusting and setting sparkling water flow rate
- 3 Push-to-dispense buttons: Sparkling, Chilled Still & Ambient
- Height: 12.6"
- Swiveling Nozzle arm
- Bottle Clearance: 9" to 10"
- Supplied with quick connect fittings
- Ideal for over sink mount and self-service applications



Accessories

- DP-CT
Stainless Countertop Mount
drain pan



Configured with a drain tube for
direct plumbing



Or with rubber feet when no
drain is available:

- DP-CT-LD



*Countertop hole cut-out
requirements for tower:
1.125" - 1.25"

Includes in-line compensator for flow
control tuning of sparkling water.



BIM | CAD | MOBILE