

# KG-12-SS

## MEAT GRINDER

# PRO-CUT®

### SPEC SHEET

[www.pro-cut.us](http://www.pro-cut.us)

### STANDARD FEATURES

- Food grade stainless steel headstock, plate knife and auger
- Compact footprint for limited spaces with large 20.8" x 13" feed tray
- 400+ lbs /hour processing capacity (1st grinding – 3/8" plate)
- 200+ lbs /hour processing capacity (2nd grinding – 1/8" plate)
- 3/4 HP motor with powerful 25 lbs-ft torque for meat grinding
- Precision engineered steel gear transmission
- Non slip rubber feet
- Effortless to install and operate



### PRODUCT HIGHLIGHTS



**Stainless steel headstock**



**Gear driven body**



**Included Accessories**



**Stainless steel body and tray**



**Compact footprint with large tray**



**Non skid-feet**



Intertek

Intertek



**1 year parts and labor**

# KG-12-SS

## MEAT GRINDER

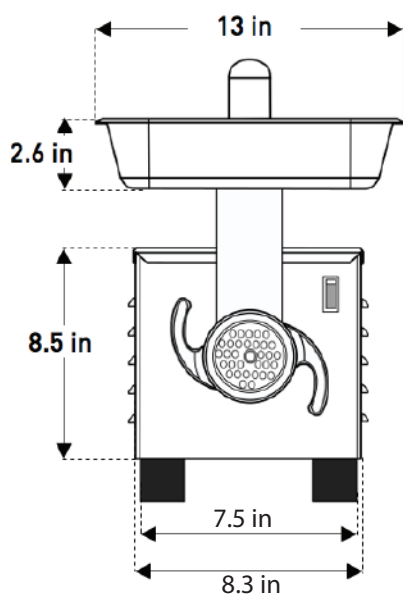
# PRO-CUT®

### SPEC SHEET

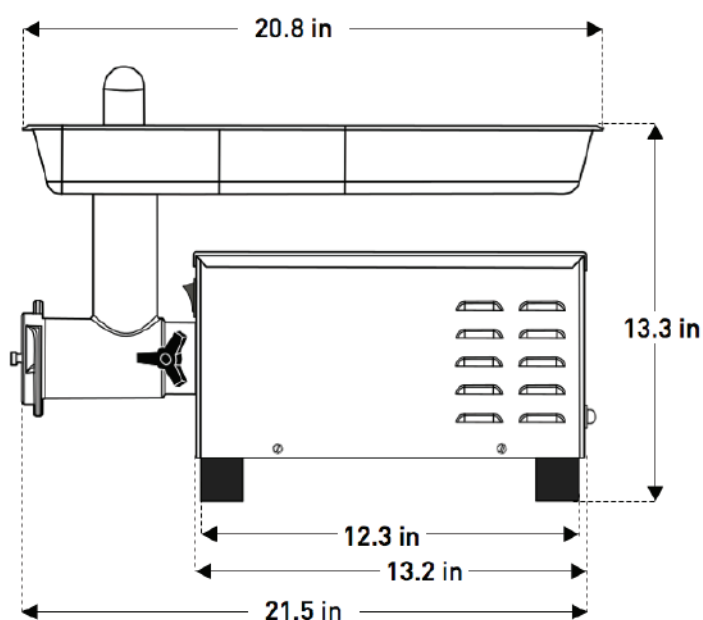
www.pro-cut.us

### PLAN VIEW

Front view



Side view



NEMA 5-15P

### TECHNICAL DATA

#### Dimensions

External dimensions	L: 21.5" W: 13" H: 13.3"
Net weight	48.50 lb (22 kg)
Power cord length	5.9 ft

#### Construction

Cabinet material	Stainless steel
Tray material	Stainless steel
Headstock	Stainless steel

#### Logistic data

Max number of SKU per pallet	12
Shipping dimensions per unit	L: 22" W: 23.5" H: 15.5"
Shipping weight per unit	48 lbs
Shipping dimensions full pallet	L: 49" W: 51" H: 56"
Shipping weight full pallet	582 lbs
Freight class	85

#### Electrical data

Motor	3/4 HP
Volts / Frequency	115 Vac / 60 Hz
Amps	11.5
Watts	550
Phase	1
Type of plug (NEMA)	5-15P

#### Performance / Capacity

1st grinding capacity (3/8" plate)	7.4 lbs / min
2nd grinding capacity (1/8" plate)	5.7 lbs / min

#### Accessories

Knives	Plates
NI-12 (Stainless Steel Round)	CI-12-1/4"
NIR-12 (Stainless Steel Rectangular)	CI-12-1/8"
NLV-12 (Long Lasting Steel)	CI-12-3/8"
	CI-12-3/16"

L: Length W: Width H: Height